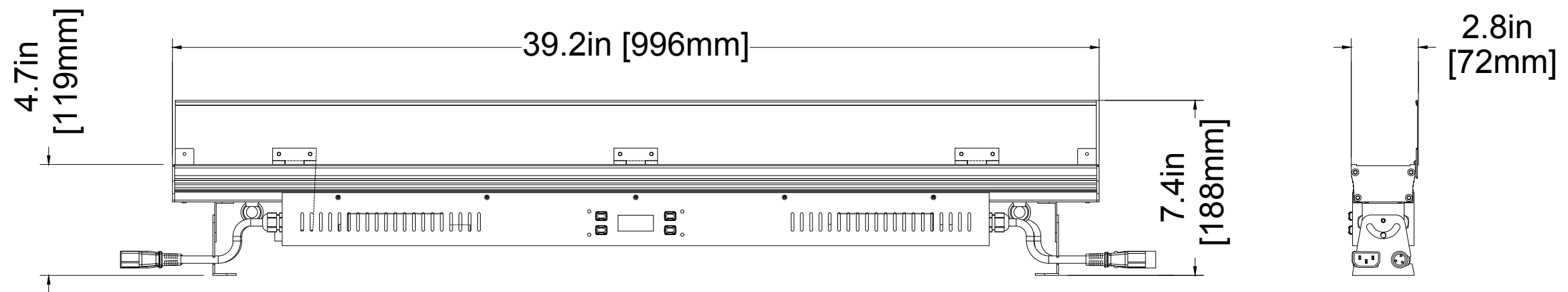


©ADJ PRODUCTS, LLC all rights reserved. Information contained within this drawing is proprietary and confidential. Any reproduction and/or distribution of any part of this drawing without the written consent of Elation Professional is strictly prohibited. Diagrams and/or measurements herein subject to change without notice.



TITLE:		ADJ Ultra Hex Bar 12		DATE:		2026-05-22	
SCALE:	TOL:	.XX(.X)	.XXX(.XX)	ANGLE:			
NONE	±	-	-	-			