



TVL F1CW™

sku# **TVL298**

The new TVL F1CW™ features a 100W Cool White 5,600K LED engine, motorized 12°-40° zoom, no noise thermo-optical cooling, DMX controlled dimmer and zoom, flicker free operation for TV and FILM, 5pin DMX in/out, powerCon, 2 Ethernet (RJ45) connections, integrated yoke / handle, rotating barn door and gel frame included, 141W max consumption, and a multi-voltage universal auto switching power supply (100-240v).

FEATURES

- 100W Cool White 5,600K LED Engine**
- 50,000 Hour Average Life LED***
- 12° - 40° Motorized Zoom**
- No Noise Thermo-Optical Cooling Technology**
- DMX Controlled Dimmer/Zoom**
- Integrated Yoke/ Handle**
- Rotating Barn Door and Gel Frame Included**
- Flicker Free Operation for TV and FILM**
- 141W Max Consumption**



PRODUCT SPECIFICATIONS

SOURCE

(1) 100W Cool White LED Engine
50,000 Hour Average LED Life*

*LED Life may vary depending on several factors including but not limited to: Environmental Conditions, Power/Voltage, Usage Patterns (On-Off Cycling), Control and Dimming.

PHOTOMETRIC DATA

High CRI = 95 / 34.64 Lm/W 5,600K (± 200K)
3,350 Max LUX @5M (12° Full On 5,600K)

EFFECTS

Zoom: 12° - 40°
Dimming: 0% - 100%

CONTROL / CONNECTIONS

4 Button Control LED Menu Display Panel
2 DMX Channel Modes (2 / 3)
5pin DMX In/Out
2 Ethernet (RJ45) Ports
powerCON Power In

SIZE / WEIGHT

Length: 20.4" (519 mm)
Width: 16" (407 mm)
Vertical Height: 17.4" (442 mm)
Weight: 35 lbs. (15.8 kg)

ELECTRICAL / THERMAL

AC 100-240V - 50/60Hz
141W Max Power Consumption
40°C / 104°F Max Ambient Temperature

APPROVALS / RATINGS



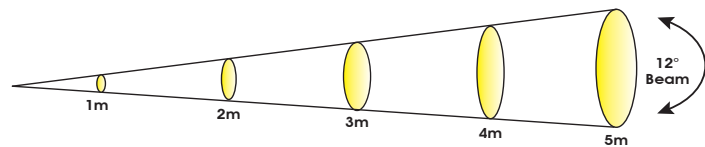
INCLUDED ITEMS

Integrated Yoke/Handle
powerCON Cable
Rotating Barn Door
Gel Frame

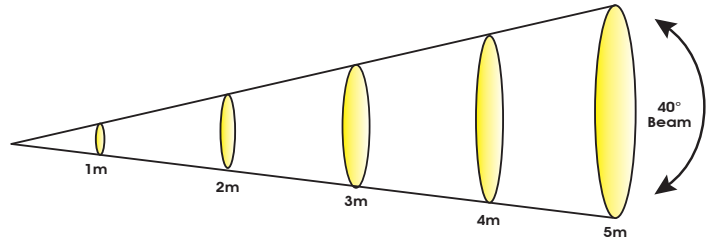
Gel Frame (included)



PHOTOMETRIC DATA

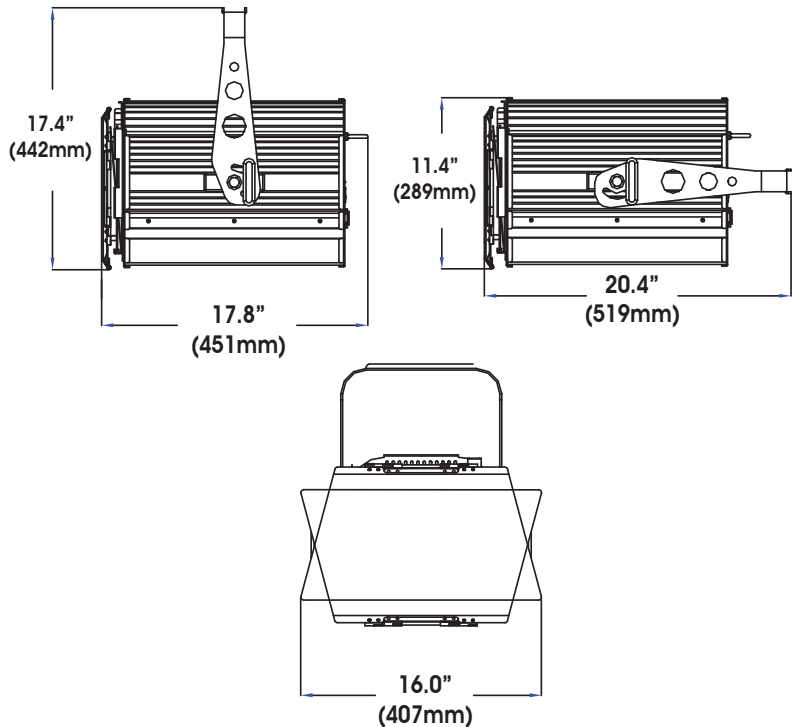


Distance	12°		m		ft		m		ft		m		ft		m		ft	
	lux	fc	lux	fc	lux	fc	lux	fc	lux	fc	lux	fc	lux	fc	lux	fc		
FULL ON	66,130	6,143	20,070	1,865	9,897	919	5,207	484	3,350	311								



Distance	40°		m		ft		m		ft		m		ft		m		ft	
	lux	fc	lux	fc	lux	fc	lux	fc	lux	fc	lux	fc	lux	fc	lux	fc		
FULL ON	14,400	1,338	4,745	441	2,457	228	1,385	129	940	87								

DIMENSIONAL DIAGRAMS



OPTIONAL ACCESSORIES

ORDER CODE	ITEM
TRIGGER CLAMP	Heavy Duty Wrap Around Hook Style Clamp
LSF536	Light Shaping Filter 30° 20" x 24" Sheet
LSF537	Light Shaping Filter 20° 20" x 22" Sheet
LSF538	Light Shaping Filter 60° x 1° 20" x 24" Sheet
LSF559	Light Shaping Filter 10° 20" x 24" Sheet
EWDMXSYSTEM	Wireless DMX System (1 Transmitter, 1 Receiver)
AC5PDMX5PRO	5 ft. (1.5m) 5pin PRO DMX Cable
	Additional Cable Lengths Available

