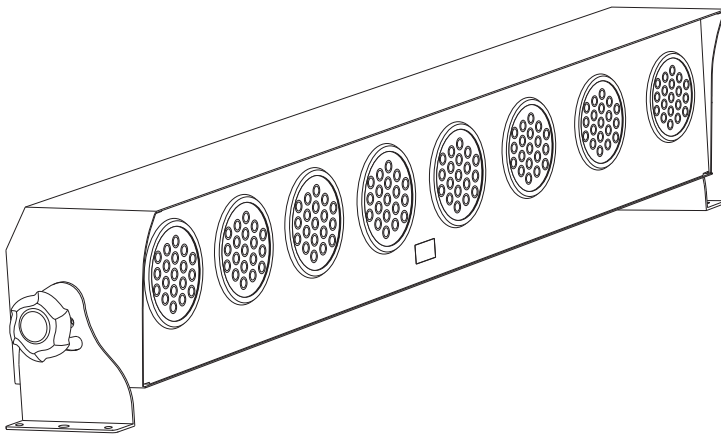


Introduction

The *Tracpod* intelligent LED color system generates and controls millions of colors and produces a wide variety of lighting effects. Chase, strobe and mix the colors of the *Tracpod's* eight LED clusters in three operating modes (Stand-alone, DMX or Sound-active). This solid-state lighting system has been designed for easy installation and safe, energy-efficient, long-life operation.



THE SYSTEM INCLUDES:

- 1 *Tracpod*
- 1 Power cord
- 1 Installation Guide

ADDITIONAL ITEMS NOT INCLUDED:

- DMX controller
- 3-pin DMX cable

Cautions

FOR INDOOR USE ONLY

KEEP DRY

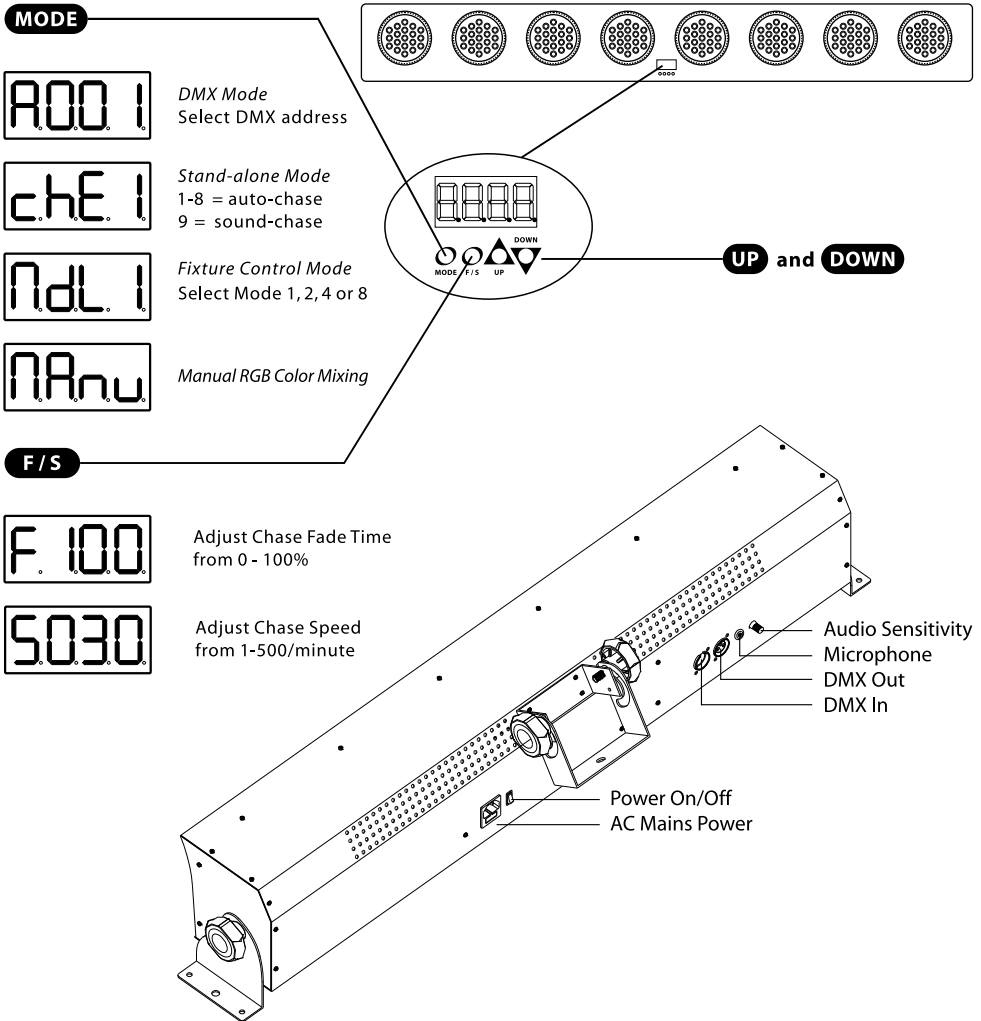
INSTALL ONLY IN WELL-VENTILATED AREAS

DO NOT ATTEMPT TO OPEN THE CONTROLLER OR FIXTURES

NO USER SERVICEABLE PARTS

DANGER: Ensure that main power supply is off before installing or wiring the *Tracpod* system.

Front and Rear Panel Functions



Installation

If the *Tracpod* is to be hung from a truss, ensure that it is securely clamped and that a safety cable is wound through the *Tracpod's* mounting bracket and around the truss as a fail-safe.

If the *Tracpod* is to be mounted to a wall, ceiling, floor or shelf, ensure that the mounting screws will adequately bear the load.

Ensure that the *Tracpod* is hung or mounted in such a way as to allow adequate ventilation. Built-in enclosures must be actively ventilated.

Stand-alone Operation

Refer to the four buttons on the front panel of the *Tracpod*:



Press the MODE button to view the Chase menu:



Select Chases 1-9 using the UP and DOWN buttons
Chases 1-8 run according to the Fade and Speed values
Chase 9 is sound-active

Press the F/S button to set the Fade and Speed values:



Adjust Chase Fade Time from 0-100%



Adjust Chase Speed from 1-500 steps per minute

Press the MODE button to view the Manual Color Mixing menu:



Press F/S to begin
Use UP and DOWN buttons to mix RGB values

Sound-active Operation

In Stand-alone mode, select Chase 9 and adjust the audio input level using the sensitivity control dial on the rear panel of the *Tracpod*.

In DMX mode, use Channel 6 to select Sound-active operation and to adjust the audio sensitivity.

DMX Operation

Press the MODE button to view the DMX address setting menu:



Select the DMX starting address for the *Tracpod* using the UP and DOWN buttons

The DMX Channel functions are:

- Channel 1 : Rainbow
- Channel 2 : Red (0 - 100%)
- Channel 3 : Green (0 - 100%)
- Channel 4 : Blue (0 - 100%)
- Channel 5 : Strobe (1 - 20 Hz)
- Channel 6 : Sound-active / Audio sensitivity

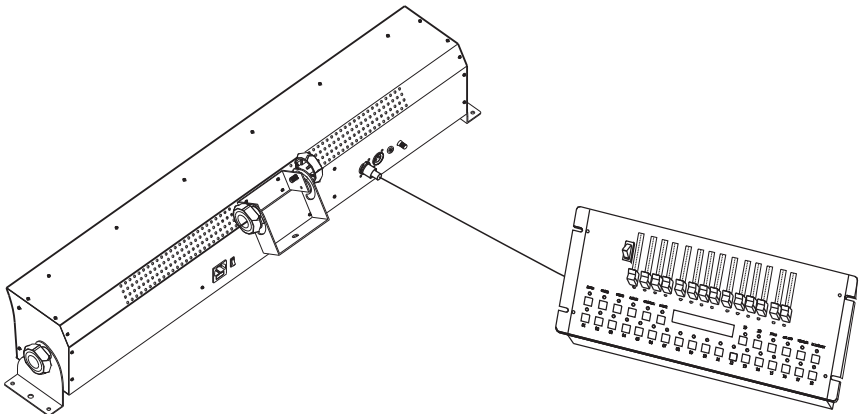
The *Tracpod* will automatically detect the presence of a DMX signal. If a DMX signal is present, the front panel LED display will blink.

In order to receive a DMX signal, the *Tracpod* must be attached to a DMX controller by a 3-pin DMX cable and the DMX controller must be turned on.

To mix RGB colors using DMX, Channel 1 (Rainbow) must be off (0).

When programming your own DMX sequences, note that Channel 6 must be off (0) to avoid activating Sound-active mode during playback.

The *Tracpod* can operate as a 48-, 24-, 12- or 6-channel DMX fixture. Select DMX Mode 1, 2, 3 or 4 as described on the facing page.

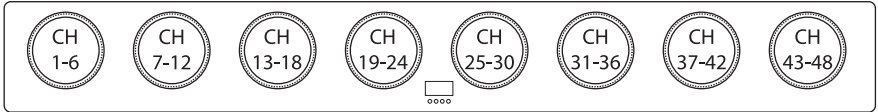


DMX MODES:

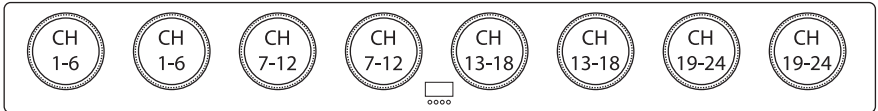
Press the MODE button to view the DMX mode selection menu.
Use the UP and DOWN buttons to select the DMX mode.



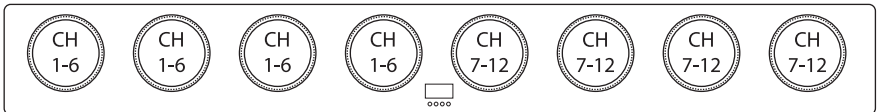
DMX Mode 1 : 48-channel operation
(Control each *Tracpod* LED cluster independently)



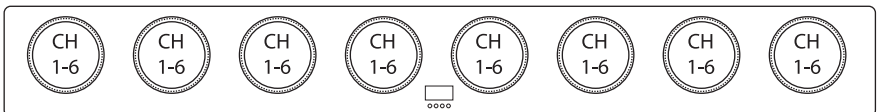
DMX Mode 2 : 24-channel operation
(Control 4 sets of 2 *Tracpod* LED clusters)



DMX Mode 4 : 12-channel operation
(Control 2 sets of 4 *Tracpod* LED clusters)



DMX Mode 8 : 6-channel operation
(Control all 8 *Tracpod* LED clusters in unison)

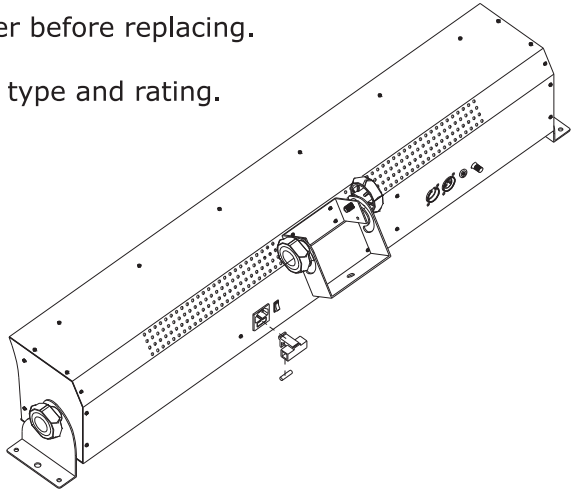


Fuse Replacement

The *Tracpod* fuse may be replaced as illustrated below.

Disconnect AC mains power before replacing.

Replace with fuse of same type and rating.



Technical Specifications

POWER SUPPLY:	240V/50Hz <input type="checkbox"/>
	230V/50Hz <input type="checkbox"/>
	120V/60Hz <input type="checkbox"/>
	110V/60Hz <input type="checkbox"/>
POWER CONSUMPTION:	95W
CONTROL:	DMX, BUILT-IN MIC, AUTO
DIMENSIONS:	950 x 140 x 175mm
WEIGHT:	8 KG
FUSE:	250V/.5A / 125V/.15A

Warranty

Alkalite warrants its products to be free of manufacturing defects in material and workmanship for a period of 90 days from the date of original purchase. For products properly registered under Alkalite's warranty registration program (details below), Alkalite warrants its products for a period of 1 year from the original purchase date. This warranty shall be valid only if the product is purchased from Alkalite or its authorized distributors or dealers. It is the purchaser's responsibility to establish the date and place of purchase by acceptable evidence at the time service is sought. For warranty service, send the product only to an authorized Alkalite distributor or dealer.

All warranties are void if the serial number has been altered or removed; if the product has been modified in any manner; if the product has been repaired or serviced by unauthorized personnel; or if the product is damaged due to improper use or maintenance as set forth in the instruction manual.

This is not a service contract and does not include standard maintenance or cleaning. Lamps, fuses, brushes, belts and all expendables are not covered by this warranty.

Alkalite reserves the right to change design and specifications without obligation to include these changes in previously manufactured products.

Additional warranties provided at the discretion of Alkalite distributors or dealers shall remain the sole obligation of the distributor or dealer.

Warranty Registration

To register this product with Alkalite, visit the registration area at the www.alkalite.com website within 30 days of purchase and provide the following information :

Date Purchased:
Model Number or Model Name:
Serial Number:

Your Name:
Your Location:
Purchased From:

alkalite

info@alkalite.com

© 2003