



SIX+ PAR L OPS



14x 20W RGBMA+UV LED Par, Outdoor Permanent Specification

DATA SHEET



KEY FEATURES

(14) 20W RGBMA+UV LED Array

7000+ Lumens, 87 CRI

12° Beam Angle, 22° Lens Included

Completely Fanless Cooling

16-bit Selectable Dimming Modes and Curves

Remote LED Refresh Rate

10" Accessory Holder

Hard Wired (Bare Wire) IP Rated Power and Data Cables Attached

Special Marine Grade Exterior Coating

The **SIX+ PAR L OPS** includes the same features as the standard SIX+ PAR L model but adds a CX Marine Grade exterior coating and Hard Wired (bare wire) IP-rated power and data cables and is designed for permanent marine/coastal environment installations.

The **SIX+ PAR L OPS** is a compact and rugged LED fixture that features (14) 20W RGBMA+UV LED's, which produce an ultra-wide color spectrum and high quality of light. The optical system has been carefully engineered to offer an even distribution of light and color homogenization within the beam. This fixture has been designed to offer ultimate flexibility, use it indoors or out, it's IP65 rating can handle any environment. The fanless cooling system ensures silent operation allowing it to be installed in the most noise sensitive environments.

With a six color LED array, the **SIX+ PAR L OPS** is able to offer outstanding color rendering capabilities with a high CRI of 87. This, paired with its remotely variably LED refresh frequency allows it to be easily integrated into any TV and Film application.

To expand the control capabilities on the **SIX+ PAR L OPS** precise color temperature control via a dedicated variable CCT control channel has been integrated. Programming a six-color LED fixture can be complicated so, a CMY emulation mode has been added for users that are more familiar with that color mixing system. Furthermore, an integrated library of calibrated color presets that match the most popular gel filters has been included.

The IP65 housing can be ordered in BLACK or WHITE color and includes a dedicated diffusion lens holder and the gel frame holder can accommodate industry standard 10" accessories. One 22° lens is included with the fixture, and other optional lenses are also available. The single yoke design allows the fixture to be mounted using the same bolt spacing as the SIXPAR 200 or 300 for retrofit applications.

To ensure the **SIX+ PAR L OPS** can be integrated seamlessly alongside original SixPar fixtures, great care has been taken to ensure that the new LED array colors match the original. A unique SixPar Emulation DMX mode has been developed, so that the new fixtures can be controlled with the same DMX mapping as the original. The color mixing has also been calibrated to virtually emulate the White LED included in the SixPar array and an output limit master setting has been added so your new lights don't overpower any older fixtures in the rig.

The **SIX+ PAR L OPS** is an ideal fixture for Themed Environments, Hospitality or Installations where high output, small form factor, simple design and permanent installation are required.





SIX+PAR L OPS



14x 20W RGBMA+UV LED Par, Outdoor Permanent Specification

SPECIFICATIONS

SOURCE

(14) x 20W RGBLA+ UV LEDs
 30,000 Hour Average LED Life*
 *May vary depending on several factors including but not limited to:
 Environmental Conditions, Power/Voltage, Usage Patterns (On-Off Cycling), Control and Dimming.

PHOTOMETRIC DATA

7000+ Total Lumen Output
 CRI - 87

EFFECTS

Electronic Dimmer and Strobe
 Variable 16-bit Dimming Modes and Curves

COLOR

RGBMA+ UV Color Array
 CMY Emulation
 Variable CCT 2400K - 8500K
 Virtual Gel Swatch Book

CONTROL / CONNECTIONS

9 DMX Channel Modes (1ch, 3ch, 6ch, 9ch, 9ch, 11ch, 14ch, 14ch, 20ch)
 4 SixPar Emulation DMX Channel Modes (6ch, 7ch, 8ch, 12ch)
 RDM (Remote Device Management)
 NFC Configuration (If Equipped)
 Hard Wired (Bare Wire) IP Rated Power and Data Cables, 3 meters with the following cable options:
 2-Wire- Power In & Combination DMX In/Out Cables
 4-Wire- Power In, Power Out, DMX In and DMX Out Cables

SIZE / WEIGHT

Length: 5.9" (149mm)
 Width: 13.2" (334mm)
 Vertical Height: 12.3" (312mm)
 Weight: 15.7lbs. (7.1kg)

ELECTRICAL / THERMAL

AC 100-240V - 50/60Hz
 165W Max Power Consumption
 -40°F to 113°F (-40°C to 45°C)
 BTU/hr (+/- 10%) 562.65

INCLUDED ITEMS

Safety Cable

OPTIONAL ITEMS

60° Lens (SIX+L WFL)
 100° Lens (SIX+L XFL)
 1°x 40° Lens (SIX+L L140)
 10°x 60° Lens (SIX+L L1060)
 4 Wire OPS Hardwire Installation Plate (HWP414)
 2 Wire OPS Hardwire Installation Plate (HWP212)

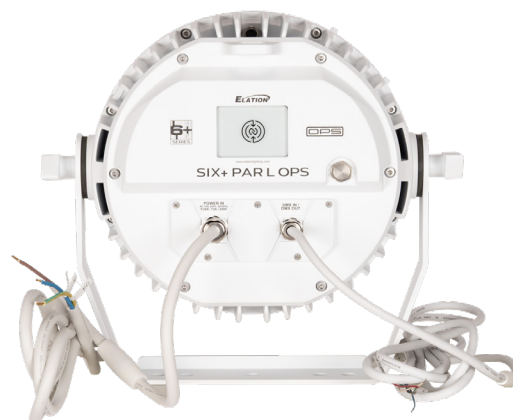
APPROVALS / RATINGS

CE | cETLus | IP65 | FCC | UKCA



ORDERING INFORMATION

SKU (U.S)	SKU (E.U)	ITEM DESCRIPTION
SIX442	1237000373	White Housing, 2-Wire Backplate
SIX467	Pending	White Housing, 4-Wire Backplate
SIX501	Pending	Black Housing; 2-Wire Backplate
SIX523	Pending	Black Housing; 4-Wire Backplate
SIX324	1223200100	SIX+L WFL; 60deg-WFL Lens
SIX356	1223200101	SIX+L XFL; 100deg-XFL Lens
SIX368	1223200098	SIX+L L1060; 10x60deg Lens
SIX379	1223200099	SIX+L L140; 1x40deg Lens
SIX393	1621000163	SIX+L GFK; Gel Frame Holder (Black)
BD0810	1236100163	10" Barndoor; 8-Leaf Black



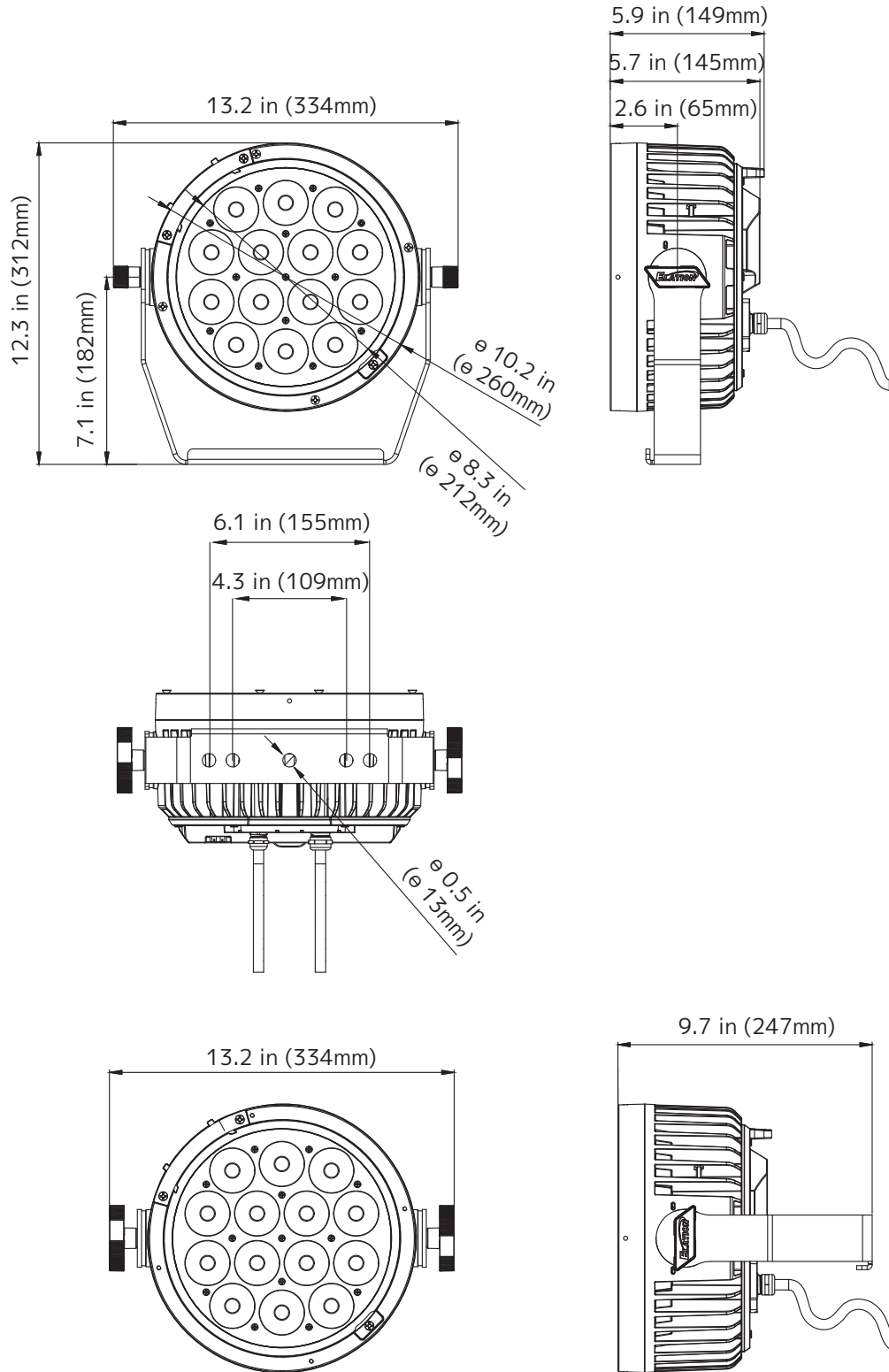


SIX+PAR L OPS



14x 20W RGBMA+UV LED Par, Outdoor Permanent Specification

UNIT DIMENSIONS



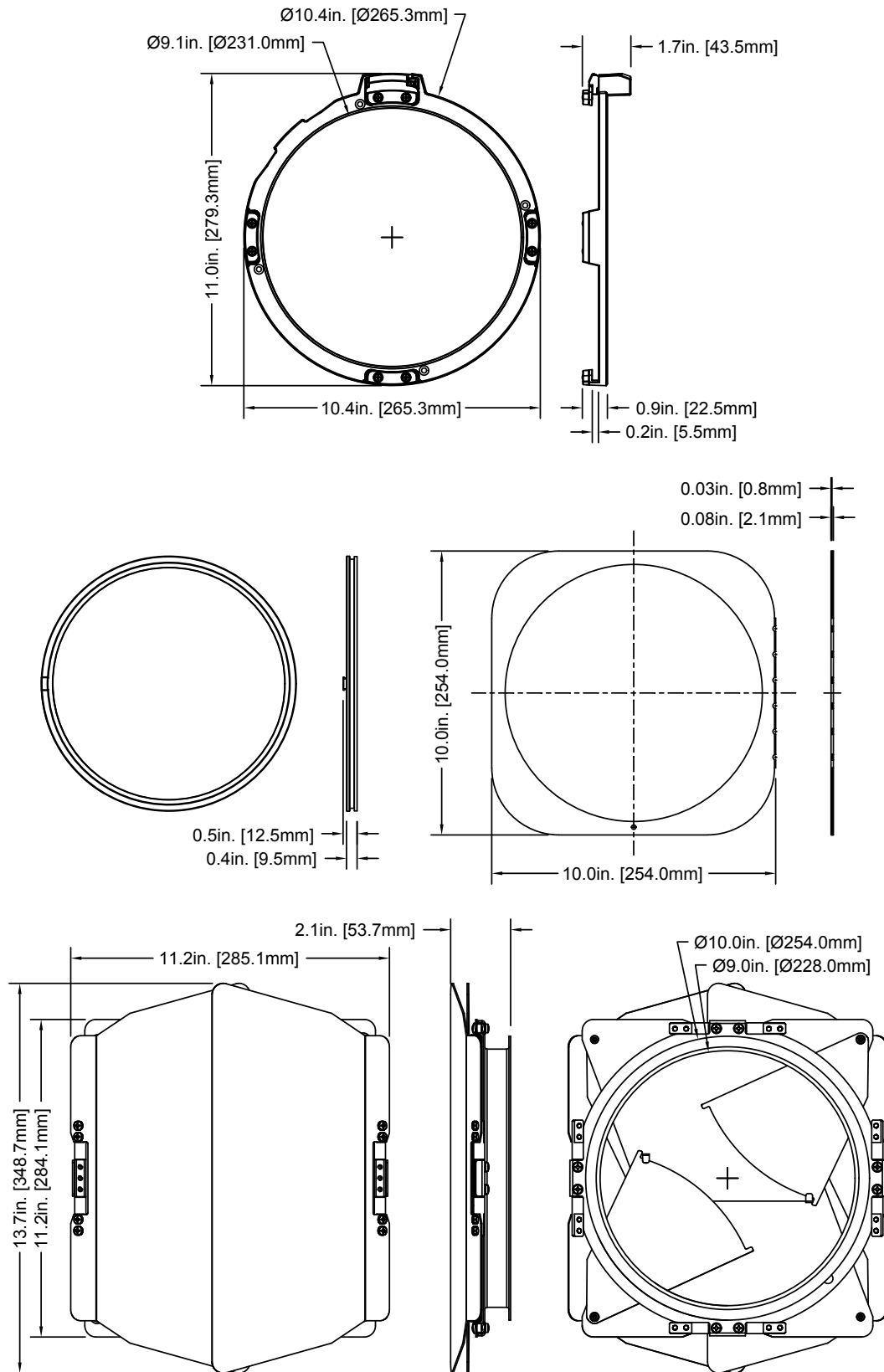


SIX+PAR L OPS



14x 20W RGBMA+UV LED Par, Outdoor Permanent Specification

ACCESSORIES



Specifications are subject to change without notice ©Elation Professional 2025/11/21
 Elation Professional USA | 6122 S. Eastern Ave. | Los Angeles, CA. 90040
 323-582-3322 | 323-832-9142 fax | www.elationlighting.com | info@elationlighting.com

Elation Professional B.V. | Junostraat 2 | 6468 EW Kerkrade, The Netherlands
 +31 45 546 85 66 | +31 45 546 85 96 fax | www.elationlighting.eu | info@elationlighting.eu