



PROTEUS RADIUS



100W LILI (Laser Illuminated Lighting Instrument) light engine FX Fixture

DATA SHEET



KEY FEATURES

100W LILI (Laser Illuminated Lighting Instrument)

Light Engine

Compact and lightweight IP66 housing

Ultra Intense 0.9° Beam

Endless 360° Pan and Tilt Movements

CMY Color Mixing CMY

FX Package with rotating, fixed gobo, 4 prisms and frost

FIL (Foam In Lay) Polyurethane Foam Packaging Included

The **PROTEUS RADIUS** is an IP66-rated Laser Illuminated Lighting Instrument (LILI) that combines cutting-edge technology with a compact design. It uses a 100W light engine to project narrow, powerful beams that reach incredible distances with precision. Its standout feature is ultra-fast 360-degree continuous rotation on both axes, allowing for bold and dynamic beam animations. Add to that CMY color mixing, customizable gobos, prisms, and frost effects, and you have a versatile tool that empowers lighting designers to create stunning aerial visuals.

The **PROTEUS RADIUS** is available as a Class 1 Risk Group 2 Laser Product, meaning it requires no federal operator variance for use in the United States. Whether for concerts, competitions, or high-profile events, the **PROTEUS RADIUS** is built to deliver when it matters most.



CLASS 1 RISK GROUP 2 PRODUCT PER IEC 62471 - Devices classified as Class 1 Risk Group 2 present no photobiological hazard under normal operating conditions or reasonably foreseeable conditions of misuse.





PROTEUS RADIUS



100W LILI (Laser Illuminated Lighting Instrument) light engine FX Fixture

SPECIFICATIONS

SOURCE

100W LILI (Laser Illuminated Lighting Instrument) Light Engine

6000K, CRI 70

10,000 Hour Lamp Life

*Test lab conditions. May vary depending on several factors including but not limited to: Environmental Conditions, Power/Voltage, Usage Patterns (On-Off Cycling), Control, and Dimming.

PHOTOMETRIC DATA

2700 Lumen Total Fixture Output

Beam Angle 0.9°

EFFECTS

Dual Frost

4 Prisms on Dual Planes

CMY Color, Gobo, Prism Macros

Motorized Focus

Digital Shutter and Strobe

COLOR

Full CMY Color Mixing System

25 Position Color Wheel

GOBOS

2 Gobo Wheels

13 Interchangeable-Rotating / Indexing Metal Gobos

24 Static-Stamped Metal Gobos

CONTROL / CONNECTIONS

2 DMX Channel Modes

(4) Button Touch Panel

Full Color 180° Reversible LCD Menu Display

DMX, RDM, Art-Net and sACN Protocol

Support

IP65 5pin DMX In/Out

IP65 RJ45 Ethernet In/Out

IP65 Locking Power In

SIZE / WEIGHT

Length: 10.6" (270mm)

Width: 15.5" (395mm)

Height: 20.3" (516mm)

Weight: 45.0 lbs. (20.4kg)

Center-to-Center: 18.0" (456mm)

ELECTRICAL / THERMAL

AC 100-240V 50/60Hz

300W Max Power Consumption

-4°F to 113°F (-20°C to 45°C)

APPROVALS / RATINGS

CE | cETLus | IP66 | FCC



RISK GROUP 2 - Operators shall control access to the beam within the hazard distance of the fixture.



CLASS 1 LASER PRODUCT

This product is in conformity with performance standards for laser products under 21 CFR 1040, except with respect to those characteristics authorized by Variance Number FDA-2024-V5491 effective on December 5, 2024.





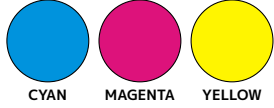
PROTEUS RADIUS



100W LILI (Laser Illuminated Lighting Instrument) light engine FX Fixture

GOBOS | COLORS

COLOR FLAGS

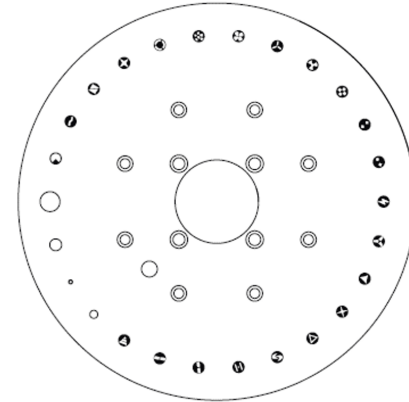
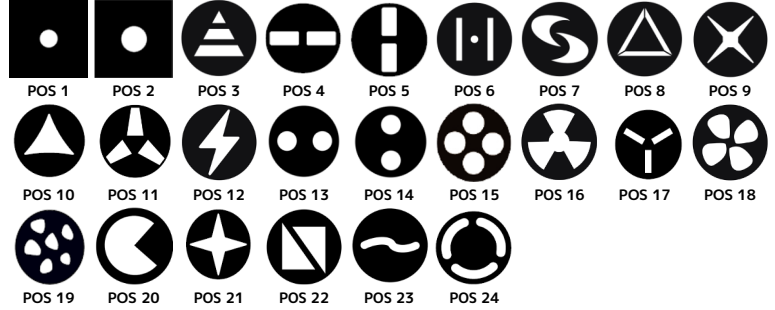


CYAN MAGENTA YELLOW

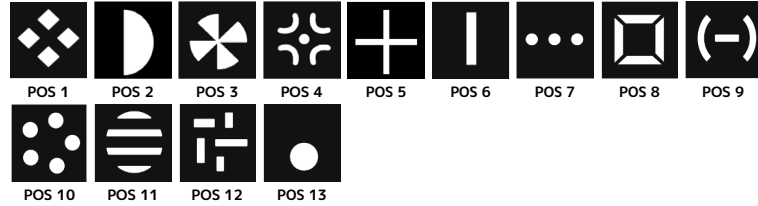
COLOR WHEEL



FIXED GOBO WHEEL



INTERCHANGEABLE ROTATING GOBO WHEEL 1



ORDERING INFORMATION

PRD013	1237000272	PROTEUS RADIUS
TRIGGER CLAMP	1741000032	Heavy Duty Wrap Around Hook Style Clamp
STR527	N/A	5 ft. (1.5m) IP65 5pin XLR Cable
		Additional Cable Lengths Available



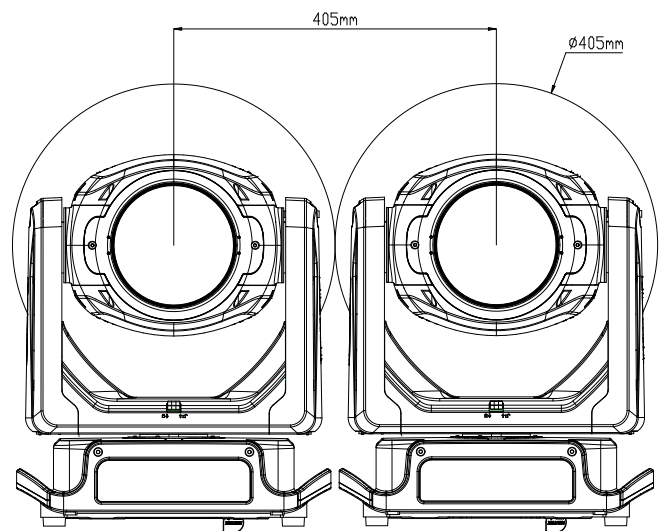
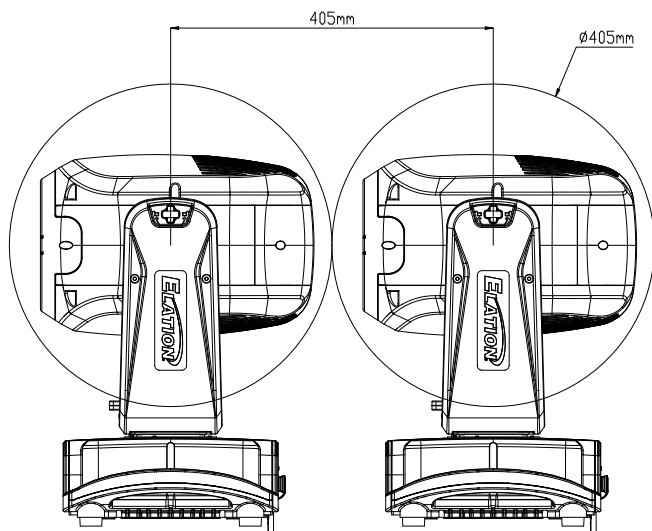
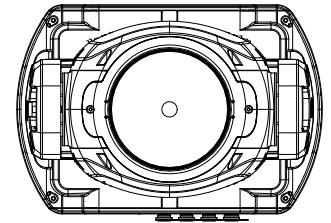
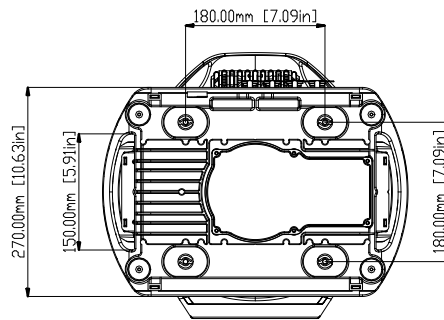
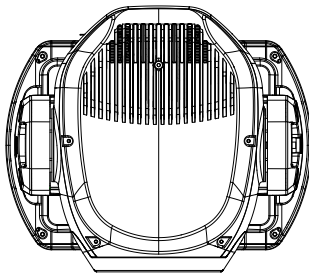
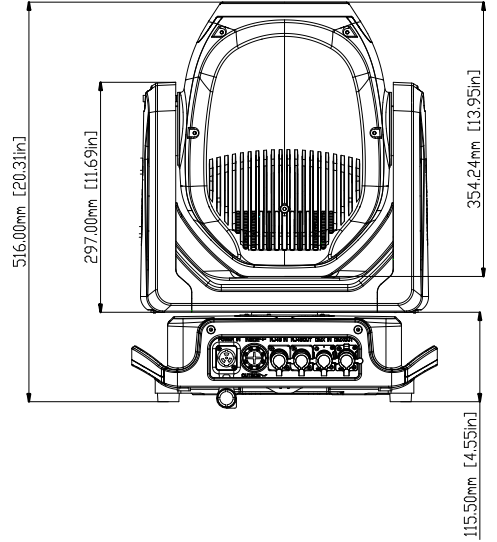
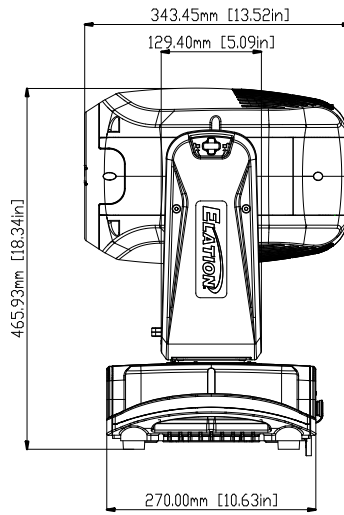
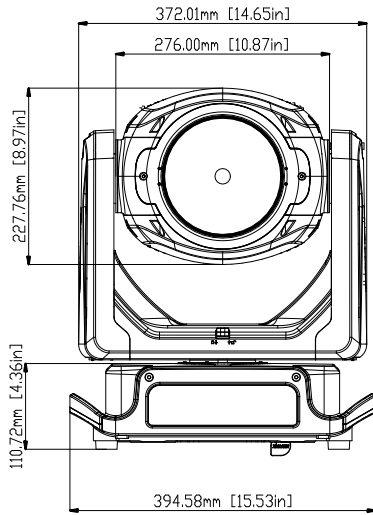


PROTEUS RADIUS



100W LILI (Laser Illuminated Lighting Instrument) light engine FX Fixture

UNIT DIMENSIONS





PROTEUS RADIUS



100W LILI (Laser Illuminated Lighting Instrument) light engine FX Fixture

FOAM IN-LAY DIMENSIONS

