



# PARAGON LT



# ELATION®

1300W Variable CRI LED IP Framing Profile Fixture

DATA SHEET



## KEY FEATURES

- IP54 rated for indoor and temporary outdoor use
- All weather protection through innovative chassis, sealing and cooling construction
- Impact resistant lightweight polycarbonate chassis
- High Efficiency 6,500K Variable CRI White LED Engine
- TruTone remote color fidelity adjustment up to CRI 93
- Exceeding 50,000 Total Lumens Fixture Output in Turbo Mode
- Flat Field Engine for precise projection
- Ultra-fast CMY Array and Variable Linear CTO
- Optional SpectraColor RGB Array
- 5-Position Color Wheel with Quad Color
- Complete FX System featuring Dual Rotating Gobo Wheel, Fixed Gobo, Animation, Iris, Dual Prism, Dual Frost
- Indexable Full Blackout Framing System
- Wide Zoom Range from 3.7° to 49.2°
- Interchangeable Fresnel Wash and PC Beam Lens (optional)
- FIL (Foam In Lay) Polyurethane Foam Packaging Included

The brightest in the award-winning **PARAGON** Series, the **PARAGON LT** delivers Profile, Beam, and Wash versatility in a single fixture. Its 1300W engine outputs up to 50,000 lumens, with a 3.7°–49.2° zoom and TruTone variable CRI (73–93) for vibrant, precise color. Rugged, compact, and IP54-rated, with easy lens changes and a full FX suite, the PARAGON LT replaces multiple fixtures for efficient designs and extraordinary visuals.

Providing up to 50,000 lumens output from its custom-designed Variable CRI LED engine, the **PARAGON LT** is the ideal fixture for a variety of applications requiring superior output, bright and powerful beams, and quiet operation, as well as stunningly precise gobos and colors.

The TruTone variable CRI allows selecting the best blend of light output and color accuracy, depending on the requirements of the show or scene. It is seamlessly adjustable from CRI 73 to CRI 93. Paragon's extremely precise low-level Ultra Dimming operates at 25,000Hz, with perfect dimming performance at the highest refresh rates, eliminating all flicker or camera interferences.

**PARAGON LT** provides the designer a comprehensive FX package with 14 rotating glass gobos, a high-speed fixed gobo wheel, variable orientation animation wheel, overlapping dual prisms, dual frost, and a high-speed iris. Its indexable framing system allows full-blackout shutter cuts for precise beam shape control.

With a fast zoom range from 3.7° to 48° and a large 200mm front lens, the PARAGON LT has the power to cut through and make a statement on any stage.

The **PARAGON LT** ships in a cardboard box with a custom-fitted polyurethane foam FIL (Foam In Lay) insert. The foam insert easily fits into a custom flight case (not included) and provides enhanced impact protection during transport.



Specifications are subject to change without notice ©Elation Professional 05/11/2026  
Elation Professional USA | 6122 S. Eastern Ave. | Los Angeles, CA. 90040  
323-582-3322 | 323-832-9142 fax | www.elationlighting.com | info@elationlighting.com

Elation Professional B.V. | Junostraat 2 | 6468 EW Kerkrade, The Netherlands  
+31 45 546 85 66 | +31 45 546 85 96 fax | www.elationlighting.eu | info@elationlighting.eu



# PARAGON LT



1300W Variable CRI LED IP Framing Profile Fixture

GOBOS | COLORS | ANIMATION | PRISMS

## ROTATING GOBO 1



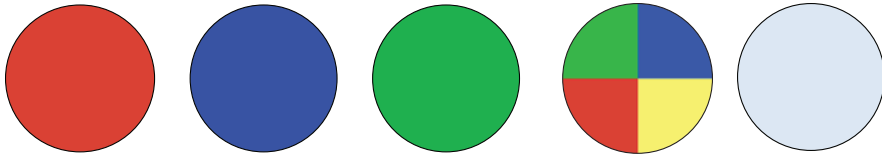
## ROTATING GOBO 2



## FIXED GOBOS



## COLORS



Red

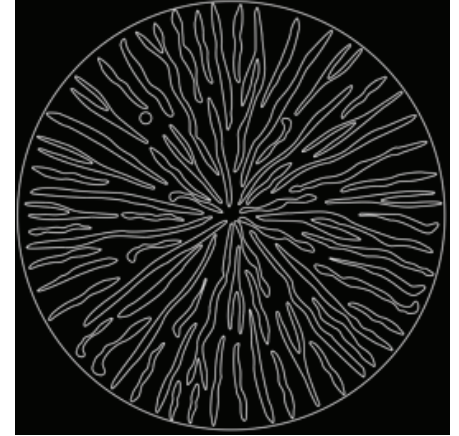
Blue

Green

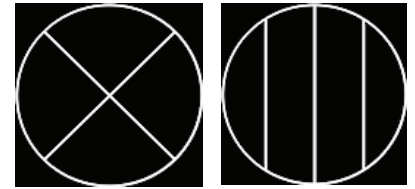
Quad  
Color

Color  
Smoothing  
(CTB+Frost)

## ANIMATION WHEEL



## PRISMS



4 Facet  
Round

4 Facet  
Linear

## ORDERING INFORMATION

PAR135	1237000348	Paragon LT
PAR213	PENDING	Paragon LT Fresnel Lens
PAR224	PENDING	Paragon LT PC Lens
PAR235	PENDING	Paragon LT Snoot
PAR193	1237000377	Paragon LT RGB Module



Specifications are subject to change without notice ©Elation Professional 05/11/2026  
Elation Professional USA | 6122 S. Eastern Ave. | Los Angeles, CA. 90040  
323-582-3322 | 323-832-9142 fax | www.elationlighting.com | info@elationlighting.com

Elation Professional B.V. | Junostraat 2 | 6468 EW Kerkrade, The Netherlands  
+31 45 546 85 66 | +31 45 546 85 96 fax | www.elationlighting.eu | info@elationlighting.eu



1300W Variable CRI LED IP Framing Profile Fixture

## SPECIFICATIONS

### SOURCE

High Efficiency 1300W 6500K Variable CRI White LED Engine  
30,000 Hour Average LED Life\*  
\*Test lab conditions. May vary depending on several factors including but not limited to: Environmental Conditions, Power/Voltage, Usage Patterns (On-Off Cycling), Control, and Dimming.

### PHOTOMETRIC DATA

44000 Total Lumen Fixture Output @ CRI 80  
50000 Total Lumen Output in Turbo Mode (CRI78)  
TruTone variable CRI up to CRI 93  
Front Lens 8" (200mm)

### Profile Lens (standard)

Zoom Range 3.7° - 49.2°  
Beam Angle 3.4° - 43.9°  
Field Angle 3.7° - 46.9°  
Cutoff Angle 3.8° - 47.8°

### PC Lens (optional)

Zoom Range 3.5° - 47.2°  
Beam Angle 3.5° - 43.4°  
Field Angle 5.6° - 47.2°  
Cutoff Angle 6.5° - 48.6°

### Fresnel Lens (optional)

Zoom Range 5° - 52.9°  
Beam Angle 5° - 46.7°  
Field Angle 10° - 52.9°  
Cutoff Angle 15.1° - 59.9°

### EFFECTS

Motorized Zoom  
4 Full Blackout Framing Blades, +/-45° Index  
+/-120° Framing Index  
Full 360° Bi-Directional Animation Wheel with variable Angle and Index orientation  
4-Facet and Linear Rotating Prisms  
2 Variable Frost Filters (Light and Wash)  
Motorized Iris with Variable Pulse Effects  
Variable 16-bit Dimming Curve Modes  
High Speed Electronic Shutter and Strobe  
DMX Controllable LED Refresh Rate  
Ultra Dimming 25000Hz  
Pan Angle: 540°  
Tilt Angle: 260°  
Motionless Reset

### COLOR

CMY Color Mixing Array  
Optional SpectraColor RGB Array  
Linear CTO Color Correction  
5 Dichroic Colors including Quad Color

### GOBOS

3 Gobo Wheels  
2x 7 Rotating / Indexing Interchangeable Glass Gobos  
5 Fixed Metal Gobos

### CONTROL / CONNECTIONS

4 DMX Channel Modes (44/67/47/73)  
16-bit Pan, Tilt and Dimming Control  
Motorized Focus and Auto-Focus Presets  
DMX, RDM, Art-NET, sACN Protocol Support  
(4) Button Touch Control Panel  
Full Color 180° Reversible LCD Menu Display  
NFC  
Hibernation Mode (Power Save)  
IP65 Locking 5pin XLR In/Out  
IP65 Locking RJ45 Ethernet In/Out  
IP65 Locking Power In

### SIZE / WEIGHT

Length: 19.4 in (493mm)  
Width: 12.4 in (315mm)  
Height: 32.7 in (830mm)  
Weight: 96.1 lbs. (43.6 kg)  
Weight (w. RGB Module): 97.9 lbs. (44.4 kg)

### ELECTRICAL

AC 200-240V 50/60Hz  
Max Power Consumption 1900W  
-4°F to 113°F (-20°C to 45°C)

### INCLUDED ITEMS

Omega Brackets (x2)  
IP65 Rated Locking Power Cable  
Stainless Steel Safety Wire  
Foam Inlay

### OPTIONAL ITEMS

PARAGON LT RGB Module  
PARAGON LT PC Lens  
PARAGON LT Fresnel Lens  
PARAGON LT Snoot

### APPROVALS / RATINGS

CE | cETLus | FCC | UKCA | IP54



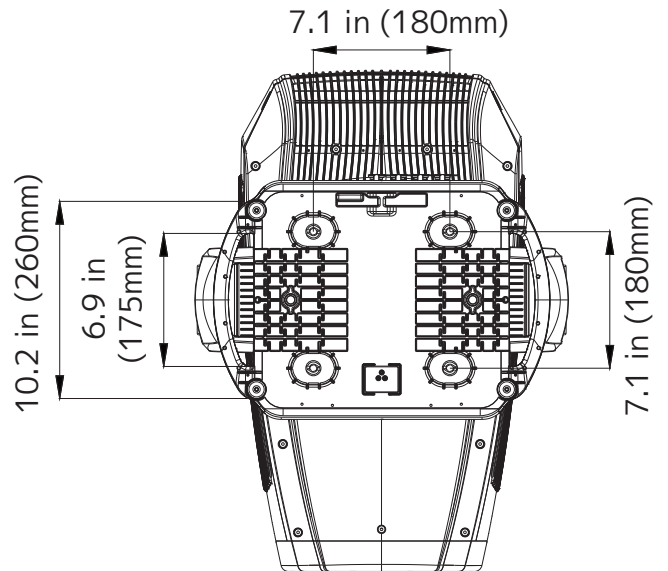
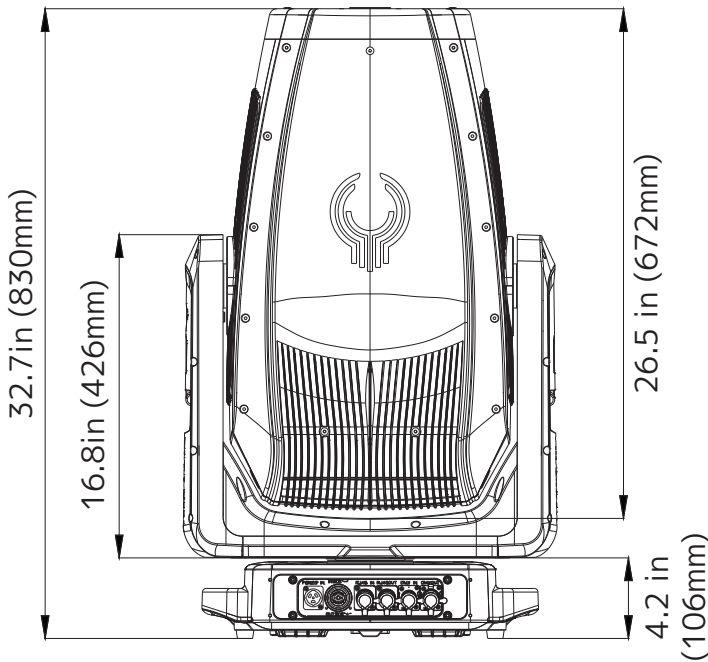
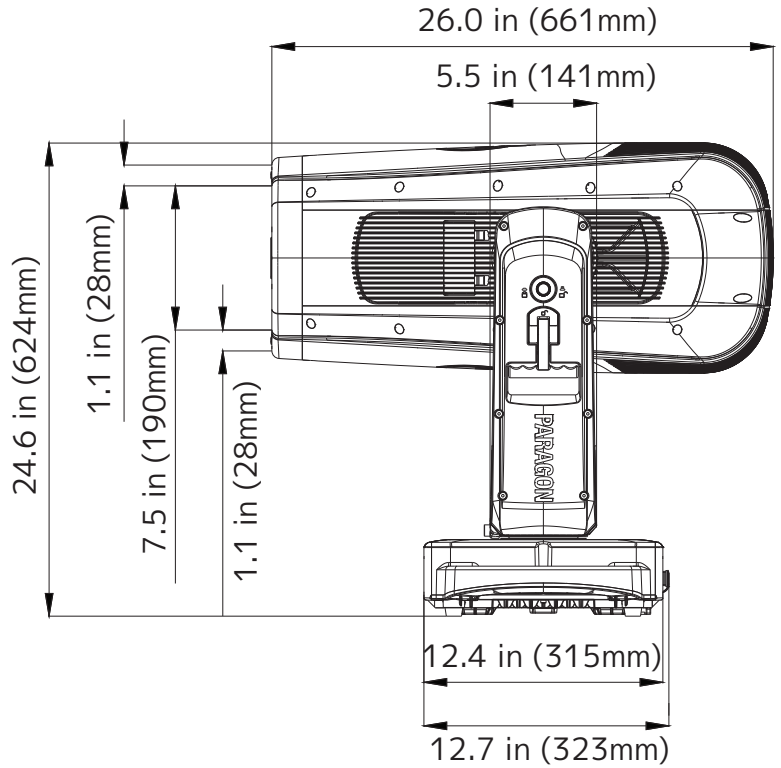
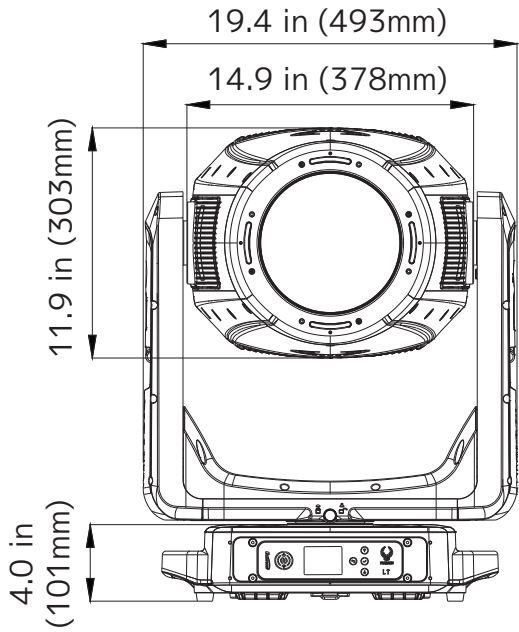


# PARAGON LT



1300W Variable CRI LED IP Framing Profile Fixture

## UNIT DIMENSIONS





# PARAGON LT



1300W Variable CRI LED IP Framing Profile Fixture

## UNIT DIMENSIONS

