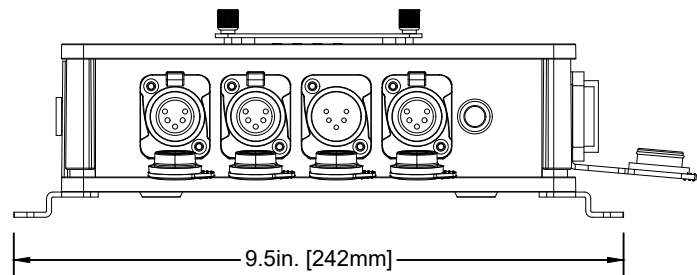
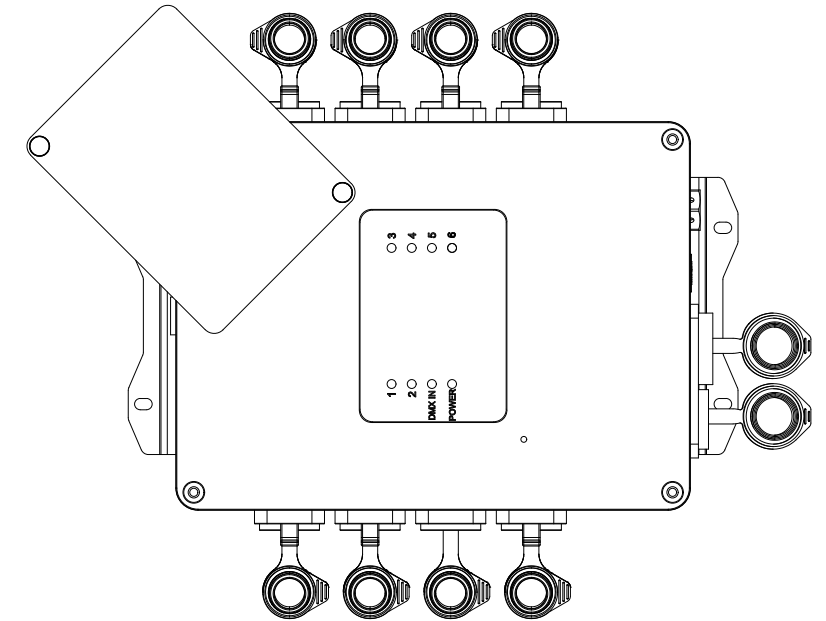
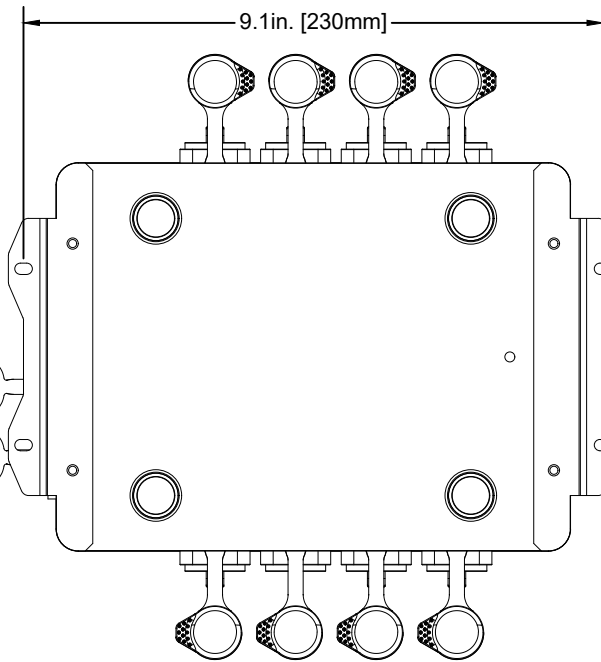
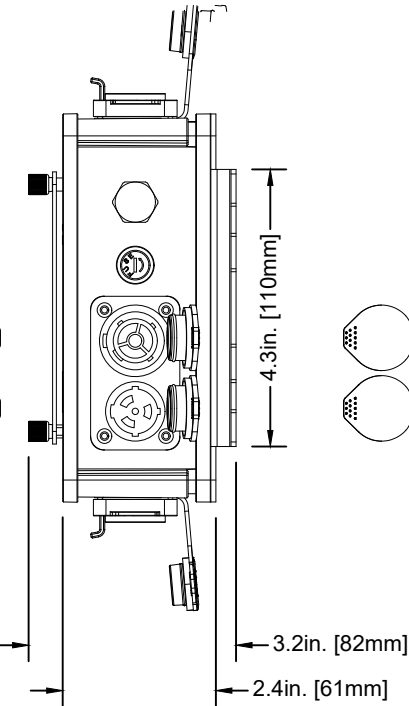
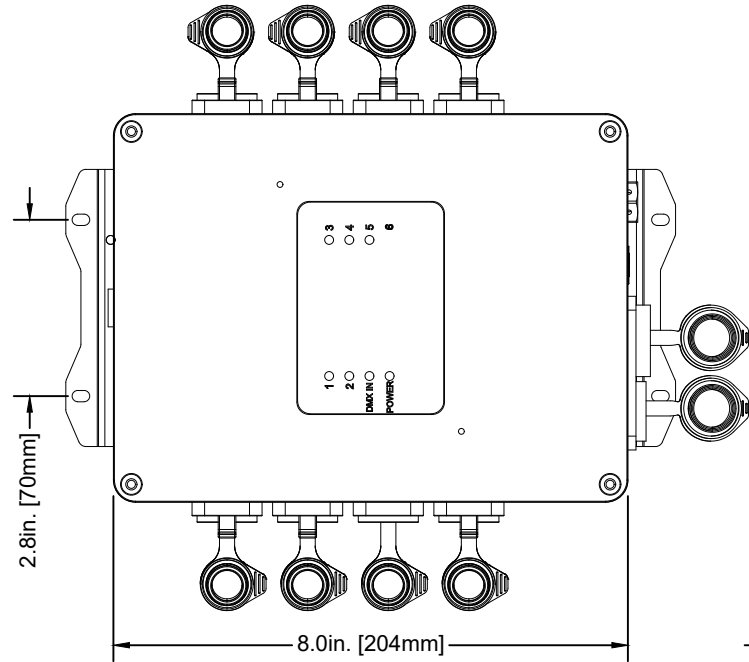
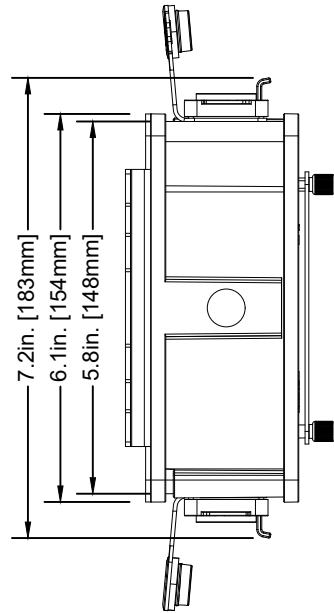
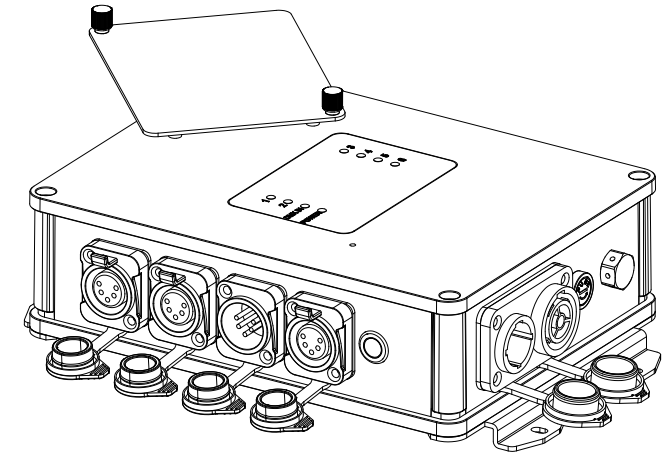
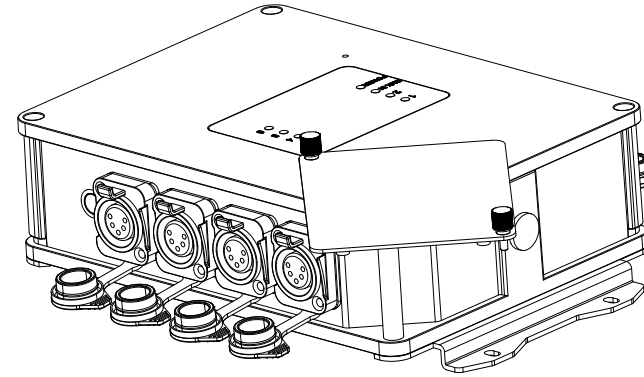
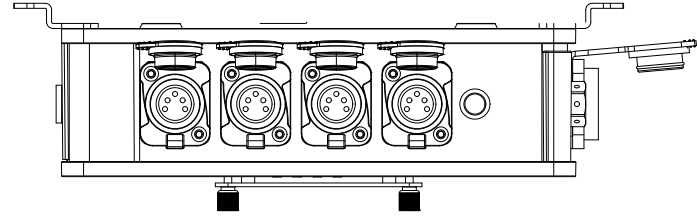
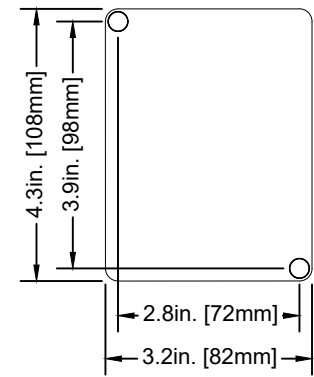


©OBSIDIAN CONTROL SYSTEMS all rights reserved. Information contained within this drawing is proprietary and confidential. Any reproduction and/or distribution of any part of this drawing without the written consent of OBSIDIAN CONTROL SYSTEMS is strictly prohibited. Diagrams and/or measurements herein subject to change without notice.



OBSIDIAN[™] NETRON
CONTROL SYSTEMS

TITLE: RDM6 IP		DATE: 240919	
SCALE: NONE	TOL: ±	.XX(.X) -	.XXX(.XX) - ANGLE: -