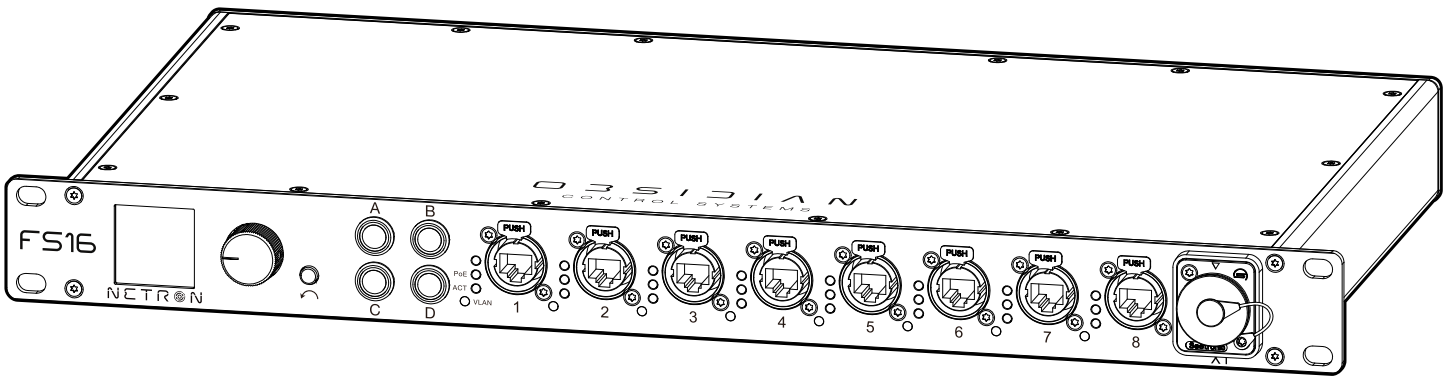


OBSIDIAN™

CONTROL SYSTEMS



NETRON

FS16

Installation Guide

©2026 **OBSIDIAN CONTROL SYSTEMS** all rights reserved. Information, specifications, diagrams, images, and instructions herein are subject to change without notice. Obsidian Control Systems logo and identifying product names and numbers herein are trademarks of ADJ PRODUCTS LLC. Copyright protection claimed includes all forms and matters of copyrightable materials and information now allowed by statutory or judicial law or hereinafter granted. Product names used in this document may be trademarks or registered trademarks of their respective companies and are hereby acknowledged. All non-ADJ brands and product names are trademarks or registered trademarks of their respective companies.

OBSIDIAN CONTROL SYSTEMS and all affiliated companies hereby disclaim all liabilities for property, equipment, building, and electrical damages, injuries to any persons, and direct or indirect economic loss associated with the use or reliance of any information contained within this document, and/or as a result of the improper, unsafe, insufficient and negligent assembly, installation, rigging, and operation of this product.

ELATION PROFESSIONAL B.V.

Junostraat 2 | 6468 EW Kerkrade, The Netherlands
+31 45 546 85 66

Energy Saving Matters (EuP 2009/125/EC)

Saving electric energy is a key to help protecting the environment. Please turn off all electrical products when they are not in use. To avoid power consumption in idle mode, disconnect all electrical equipment from power when not in use. Thank you!

Document Version: An updated version of this document may be available online. Please check www.obsidiancontrol.com for the latest revision/update of this document before beginning installation and use.

Date	Document Version	Note
05/14/2026	1	Initial Release

CONTENTS

GENERAL INFORMATION	4
LIMITED WARRANTY	5
SAFETY GUIDELINES	6
OVERVIEW	7
CONNECTIONS	8
INSTALLATION INSTRUCTIONS	11
MAINTENANCE	13
SPECIFICATIONS	14
DIMENSIONS	15
FCC STATEMENT	16

GENERAL INFORMATION

FOR PROFESSIONAL USE ONLY

INTRODUCTION

Please read and understand the instructions in this manual carefully and thoroughly before attempting to operate this device. These instructions contain important safety and use information.

UNPACKING

Every device has been thoroughly tested and has been shipped in perfect operating condition. Carefully check the shipping carton for damage that may have occurred during shipping. If the carton is damaged, carefully inspect the device for damage, and be sure all accessories necessary to install and operate the device have arrived intact. In the event damage has been found or parts are missing, please contact our customer support team for further instructions. Please do not return this device to your dealer without first contacting customer support. Please do not discard the shipping carton in the trash. Please recycle whenever possible.

CUSTOMER SUPPORT

Contact your local Obsidian Controls Systems dealer or distributor for any product related service and support needs.

OBSIDIAN CONTROL SERVICE EUROPE

Monday - Friday 08:30 to 17:00 CET

+31 45 546 85 63 | support@obsidiancontrol.com

OBSIDIAN CONTROL SERVICE USA

Monday - Friday 08:30 to 17:00 PST

+1(844) 999-9942 | support@obsidiancontrol.com

LIMITED WARRANTY

1. Obsidian Control Systems hereby warrants, to the original purchaser, Obsidian Control Systems products to be free of manufacturing defects in material and workmanship for a period of two years (730 days).
2. For warranty service, send the product only to the Obsidian Control Systems service center. All shipping charges must be pre-paid. If the requested repairs or service (including parts replacement) are within the terms of this warranty, Obsidian Control Systems will pay return shipping charges only to a designated point within the United States. If any product is sent, it must be shipped in its original package and packaging material. No accessories should be shipped with the product. If any accessories are shipped with the product, Obsidian Control Systems shall have no liability whatsoever for loss and/or damage to any such accessories, nor for the safe return thereof.
3. This warranty is void if the product serial number and/or labels are altered or removed; if the product is modified in any manner which Obsidian Control Systems concludes, after inspection, affects the reliability of the product; if the product has been repaired or serviced by anyone other than the Obsidian Control Systems factory unless prior written authorization was issued to purchaser by Obsidian Control Systems; if the product is damaged because it was not properly maintained as set forth in the product instructions, guidelines and/or user manual.
4. This is not a service contract, and this warranty does not include any maintenance, cleaning or periodic check-up. During the periods as specified above, Obsidian Control Systems will replace defective parts at its expense, and will absorb all expenses for warranty service and repair labor by reason of defects in material or workmanship. The sole responsibility of Obsidian Control Systems under this warranty shall be limited to the repair of the product, or replacement thereof, including parts, at the sole discretion of Obsidian Control Systems. All products covered by this warranty were manufactured after January 1, 1990, and bear identifying marks to that effect.
5. Obsidian Control Systems reserves the right to make changes in design and/or performance improvements upon its products without any obligation to include these changes in any products theretofore manufactured.
6. No warranty, whether expressed or implied, is given or made with respect to any accessory supplied with the products described above. Except to the extent prohibited by applicable law, all implied warranties made by Obsidian Control Systems in connection with this product, including warranties of merchantability or fitness, are limited in duration to the warranty periods set forth above. And no warranties, whether expressed or implied, including warranties of merchantability or fitness, shall apply to this product after said periods have expired. The consumer's and/or dealer's sole remedy shall be such repair or replacement as is expressly provided above; and under no circumstances shall Obsidian Control Systems be liable for any loss and/or damage, direct and/or consequential, arising out of the use of, and/or the inability to use, this product.
7. This warranty is the only written warranty applicable to Obsidian Control Systems products and supersedes all prior warranties and written descriptions of warranty terms and conditions heretofore published.
8. Use of software and firmware: To the maximum extent permitted by applicable law, in no event shall Elation or Obsidian Control Systems or its suppliers be liable for any damages whatsoever (including, but not limited to, damages for loss of profits or data, for business interruption, for personal injury or other loss whatsoever) arising out of or in any way related to the use of or inability to use firmware or software, the provision of or failure to provide support or other services, information, firmware, software, and related content through the software or otherwise arising out of the use of any software or firmware, even in the event of the fault, tort (including negligence), misrepresentation, strict liability, breach of warranty of Elation or Obsidian Control Systems or any supplier, and even if Elation or Obsidian Control Systems or any supplier has been advised of the possibility of such damages.

WARRANTY RETURNS: All returned service items, whether under warranty or not, must be freight pre-paid and accompany a return authorization (R.A.) number. The R.A. number must be clearly written on the outside of the return package. A brief description of the problem as well as the R.A. number must also be written down on a piece of paper and included in the shipping container. If the unit is under warranty, you must provide a copy of your proof of purchase invoice. Items returned without a R.A. number clearly marked on the outside of the package will be refused and returned at customer's expense. You may obtain a R.A. number by contacting customer support.

SAFETY GUIDELINES

This device is a sophisticated piece of electronic equipment. To guarantee smooth operation, it is important to follow all instructions and guidelines in this manual. Obsidian Control Systems is not responsible for injury and/or damages resulting from the misuse of this device due to the disregard of the information printed in this manual. Only the original included parts and/or accessories for this device should be used. Any modifications to the device, included parts, or accessories will void the original manufacturer's warranty and increase the risk of damage and/or personal injury.

DO NOT ATTEMPT TO USE THIS DEVICE WITHOUT BEING FULLY TRAINED ON HOW TO USE IT. ANY DAMAGES OR REPAIRS TO THIS DEVICE OR ANY LIGHTING FIXTURES CONTROLLED BY THIS DEVICE RESULTING FROM IMPROPER USE, AND/OR THE DISREGARD OF THE SAFETY AND OPERATION GUIDELINES IN THIS DOCUMENT VOIDS THE OBSIDIAN CONTROL SYSTEMS WARRANTY, AND ARE NOT SUBJECT TO ANY WARRANTY CLAIMS AND/OR REPAIRS, AND MAY ALSO VOID THE WARRANTY FOR ANY NON-OBSIDIAN CONTROL SYSTEMS DEVICES.



PROTECTION CLASS 1 – DEVICE MUST BE PROPERLY GROUNDED



KEEP FLAMMABLE MATERIALS AWAY FROM DEVICE.



**DRY LOCATIONS USE ONLY!
DO NOT EXPOSE DEVICE TO RAIN, MOISTURE, AND/OR SEVERE ENVIRONMENTS!
DO NOT SPILL WATER AND/OR LIQUIDS ON OR INTO THE DEVICE!**

DISCONNECT the device from AC power before removing fuses or any part, and when not in use.

Always electrically ground this device.

Use only a source of AC power that complies with local building and electrical codes and has both overload and ground-fault protection.

NEVER attempt to bypass fuses. Always replace defective fuses with ones of the specified type and rating.

Refer all service to a qualified technician.

DO NOT modify the device except to replace user-serviceable SFP fiber transceivers and SEETRONIC fiber connectors. Such maintenance must be performed by qualified personnel using only genuine NETRON parts. Any other modifications will void the warranty and may create a safety hazard.

CAUTION: Risk of Fire and Electrical Shock. Use only in dry locations.

AVOID brute force handling when transporting or operating.

DO NOT expose any part of the device to open flame or smoke. Keep device away from heat sources such as radiators, heat registers, stoves, or other appliances (including amplifiers) that produce heat.

DO NOT use device in extreme and/or severe environments.

DO NOT operate device if power cord is frayed, crimped, damaged, and/or if any of the power cord connectors are damaged.

Allow free unobstructed airflow to the bottom and back of the product. Do not block the ventilation slots.

DO NOT use the product if the ambient temperature exceeds 40°C (104°F).

Transport the product only in suitable packaging or a custom-fitted road case. Transportation damage is not covered under warranty.

OVERVIEW

The **NETRON FS16** is a powerful rackmount network switch featuring 12 Gigabit ports, 4× fiber ports, and PoE+ support. With a total PoE power budget of 180 W, the FS16 is ideally suited to distribute data and power to NETRON nodes or any other PoE+ compatible network appliance.

Highly optimized for processing the high data volume found in today's ever-growing lighting systems, the **NETRON FS16** distributes a variety of entertainment protocols without delay, ensuring instant reaction times and flawless execution.

The FS16 incorporates four dedicated preset buttons on the front, which are ideally positioned to work as a Network Selector switch. Instant recall of signal routing allows main and backup consoles or various front-of-house setups to be activated at a moment's notice and without delay. Instant network selections are also possible using an external remote control over a simple RJ45 cable, or the remote web interface.

Designed for live production and installations, the 1U rack-mount housing is convection cooled and offers direct settings from the integrated OLED display.

Remote configuration is possible using the integrated web interface or the NETRON Central Utility (CLU) for easy discovery, status feedback, and feature management.

KEY FEATURES:

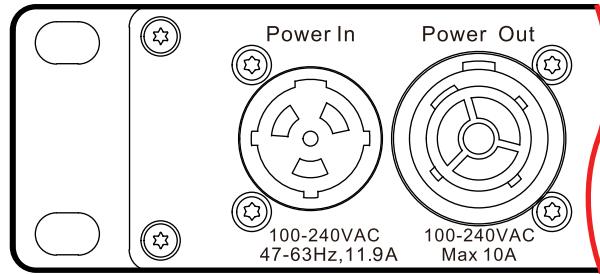
- 1U full-width network switch optimized for data-intensive entertainment applications
- 12 Gigabit Locking RJ45 ports
- 4 D-Sized swappable ports preinstalled with SEETRONIC Duplex Fiber ports (SO2DF, D-Size)
- 4 SFP modules preconfigured with:
 - (1) 10 Gbps MMF 850 nm
 - (3) 1.25 Gbps MMF 850 nm
- Art-Net and sACN support
- X-Net, HogNet, MA-Net, ETC Net3 and various other protocols
- Factory and user presets for plug-and-play setups
- Preset Recall for Network Selection, Settings, and Routings
- PoE and PoE+ support with per-port power switching
- OLED display for direct feature adjustments
- Remote configuration via internal webpage
- Convection-cooled design
- Powder-coated aluminum 1U rack housing

CONNECTIONS

AC CONNECTION



The Obsidian Control Systems NETRON FS16 is rated 100-240V. Do not connect it to power outside this range. Damage resulting from incorrect connection is not covered under warranty.



North America: A cable with a NEMA 15-5P plug is provided for use with the FS16 in the USA and Canada. This approved cable must be used in North America.

Rest of the world: The provided cable is not fitted with a country-specific plug. Install only a plug that meets local and or national electrical codes and is suitable for the country's specific requirements.



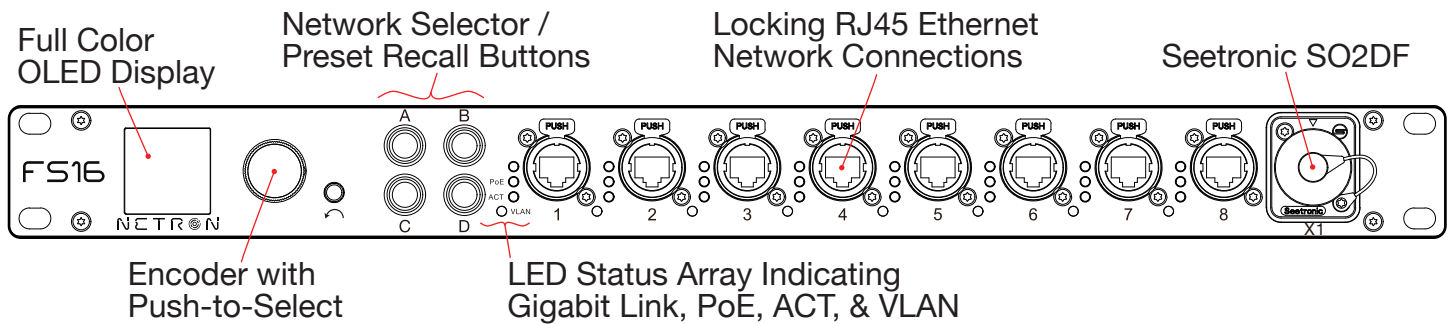
A 3-prong grounded-type (earthed type) plug must be installed following the plug manufacturer's instructions.

CONNECTIONS

FRONT CONNECTIONS

Front:

- (8) Locking RJ45 Ethernet network connections
- (1) SEETRONIC SO2DF fiber port (LC and DUO compatible)
 - 10 Gbps Multimode
 - 850nm
 - 300m
- Per-Port LED Feedback for Activity, PoE, VLAN
- Full color OLED display
- Encoder w/ Push to Select / Exit Button
- (4) Network Selector / Preset Recall Buttons



PORT STATUS INDICATOR LEDs

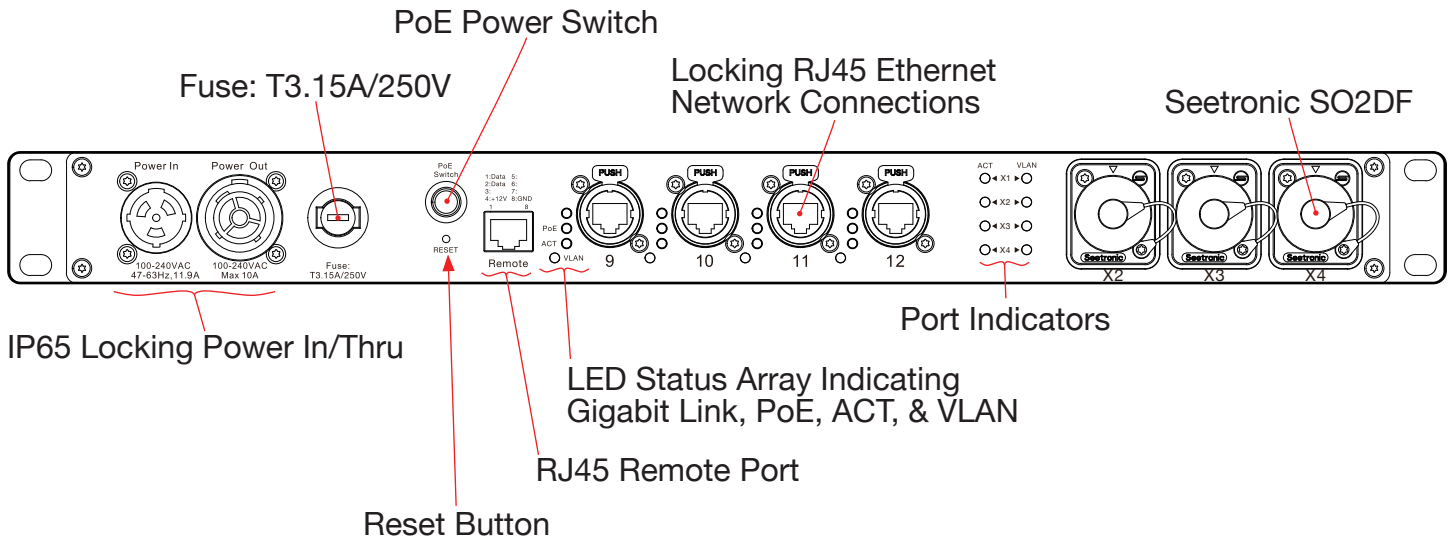
LED Color	Solid	Blink	Flashing/Strobing
LINK	Gigabit Link		
ACTIVITY	Link established	Data traffic	-
PoE	PoE / PoE+ active	-	-
*VLAN	VLAN assigned	-	-

Note: Only the Preset Recall & VLAN* LEDs are dimmable from **Menu > System > Display > LED Brightness**. *The VLAN LED color is assigned and therefore customizable.

CONNECTIONS

REAR CONNECTIONS

- IP65 Locking Power In/Thru
- (4) Locking RJ45 Ethernet network connections
- (3) SEETRONIC SO2DF fiber ports (LC and DUO compatible)
 - 1.25Gbps Multimode
 - 850nm
 - 300m
- RJ45 Remote Port for optional Button Station
- Per-Port LED Feedback for Activity, PoE, VLAN
- PoE Power Switch
- Reset Button
- Fuse: T3.15A/250V



INSTALLATION INSTRUCTIONS



DISCONNECT POWER BEFORE PERFORMING ANY MAINTENANCE!



ELECTRICAL CONNECTIONS

A qualified electrician should be used for all electrical connections and/or installations.



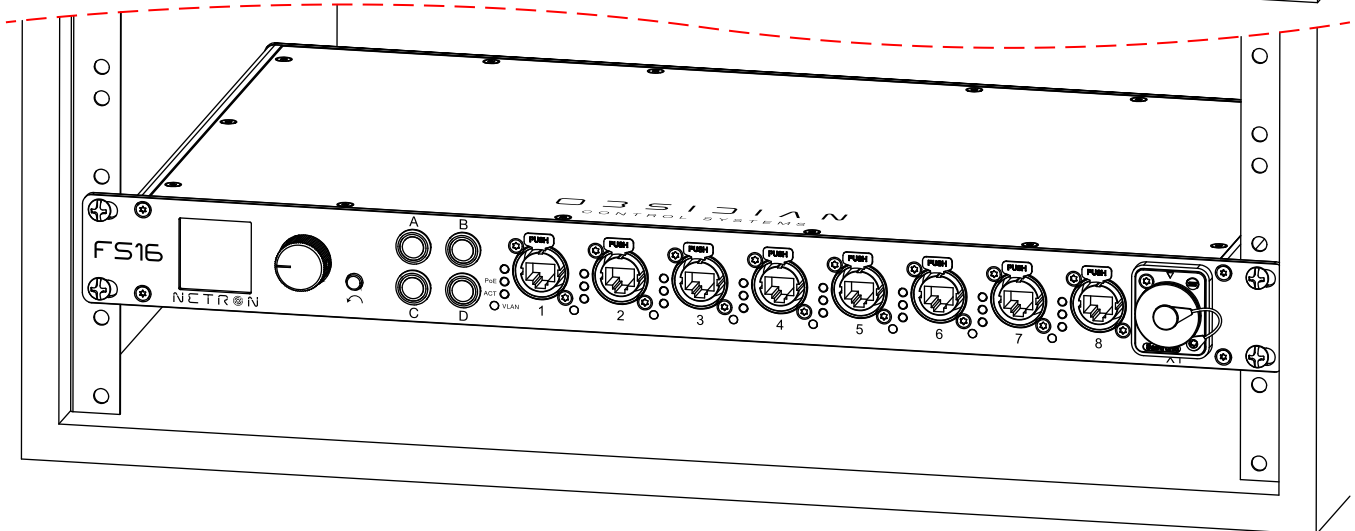
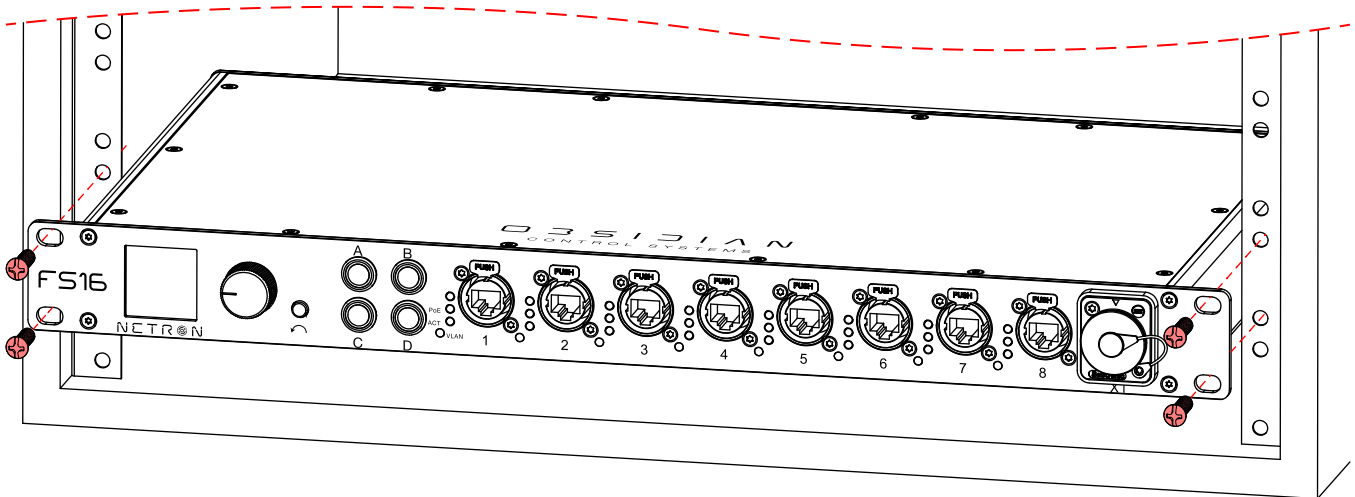
USE CAUTION WHEN POWER LINKING OTHER MODEL DEVICES AS THE POWER CONSUMPTION OF OTHER MODEL DEVICES MAY EXCEED THE MAXIMUM POWER OUTPUT OF THIS DEVICE. CHECK SILK SCREEN FOR MAXIMUM AMPS.

Device **MUST** be installed following all local, national, and country commercial electrical and construction codes and regulations.

RACK MOUNTING

The NETRON FS16 is a 1U full-width rackmount device.

- Install the unit in a standard 19-inch equipment rack using the included rack ears.
- Secure the rack ears to the front of the device using suitable rack screws (not supplied).
- Use all four mounting points when installing in the rack.
- Allow sufficient space above and below the unit for proper convection cooling. **Do not obstruct airflow to the bottom or rear of the device.**



INSTALLATION INSTRUCTIONS

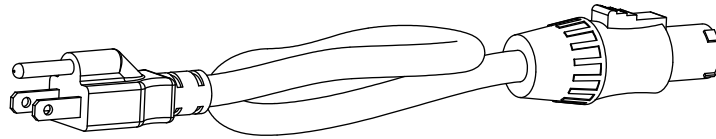
VENTILATION

The FS16 is convection cooled.

- Maintain free, unobstructed airflow to the bottom and rear of the unit.
- Do not install the unit in a sealed or unventilated enclosure.
- Maximum ambient operating temperature is 40 °C (104 °F).

POWER CONNECTION

- Connect the unit only to a properly grounded AC power source within the rated voltage range (100–240 V, 50/60 Hz).
- Use only the supplied locking IP65 power cable (US version shown).



- When power linking multiple devices, check the silk screen on the rear panel for maximum amperage.

MAINTENANCE

The NETRON FS16 is designed as a rugged, roadworthy device. The only required service is occasional cleaning. For any other service-related concerns, please contact your Obsidian Control Systems dealer or visit www.obsidiancontrol.com.

Any service that is not described in this guide must be carried out by a trained and qualified Obsidian Control Systems technician.

Never spray cleaner directly onto the device surface; always spray into a lint-free cloth and wipe it clean. Consider using cleaning products designed for cellphone and tablet devices.



Important! Excessive dust, dirt, smoke, fluid build-up, and other materials can degrade the performance of the FS16, causing overheating and damage to the unit that is not covered by the warranty.

Fuse Replacement



The FS16 is protected by a single 3.15 A slow-blow mains fuse located in a fuse holder on the rear of the device.

Disconnect the product from AC mains power before replacing the fuse, as parts of the product may remain live even if the mains fuse has blown. Always replace with a fuse of the same type and rating.

SPECIFICATIONS

Mounting:

- 1U rackmount

Connections

Front

- (8) Locking RJ45 Ethernet network connections
- (1) SEETRONIC SO2DF fiber port (LC and DUO compatible)
 - 10 Gbps Multimode
 - 850nm
 - 300m
- Per Port LED Feedback for Activity, PoE, VLAN
- Full color OLED display
- Encoder w/ Push to Select / Exit Button
- (4) Network Selector / Preset Recall Buttons

Rear

- IP65 Locking Power In/Thru
- (4) Locking RJ45 Ethernet network connections
- (3) SEETRONIC SO2DF fiber ports (LC and DUO compatible)
 - 1.25Gbps Multimode
 - 850nm
 - 300m
- RJ45 Remote Port for optional Button Station
- Per-Port LED Feedback for Activity, PoE, and VLAN
- PoE Power Switch
- Reset Button
- Fuse: T3.15A/250V

Supported Protocols

- sACN, Art-Net
- ONYX X-Net, MANet2, MA-Net3, HogNet, ETC Net3
- Dante
- Broadcast, Unicast, Multicast

Ethernet Features

- IEEE 802.3, 802.3ab, 802.3x, 802.1p, 802.3at, 802.3af, 802.1Q, IGMPv2, IGMPv3
- PoE (15W), PoE+ (30W), Max power per-port power setting
- IGMP Querier, IGMP Snooping
- VLAN (6 Groups, Trunk, Color Coding)
- DHCP Server per VLAN
- Dante compliant QoS Preset
- Total Switching Capacity: 48 Gbps

Physical

- Depth: 10.33 in. (262.3 mm)
- Width: 19 in. (482.5 mm)
- Height: 1.4 in. (44 mm)
- Weight: 7.05 lbs (4.2 kg)

Electrical

- 100–240 V nominal, 50/60 Hz
- 180 W maximum power consumption
- PoE 802.3at (max 30 W per port)

Approvals / Ratings

- CE | cETLus | FCC | UKCA | IP20



Ordering

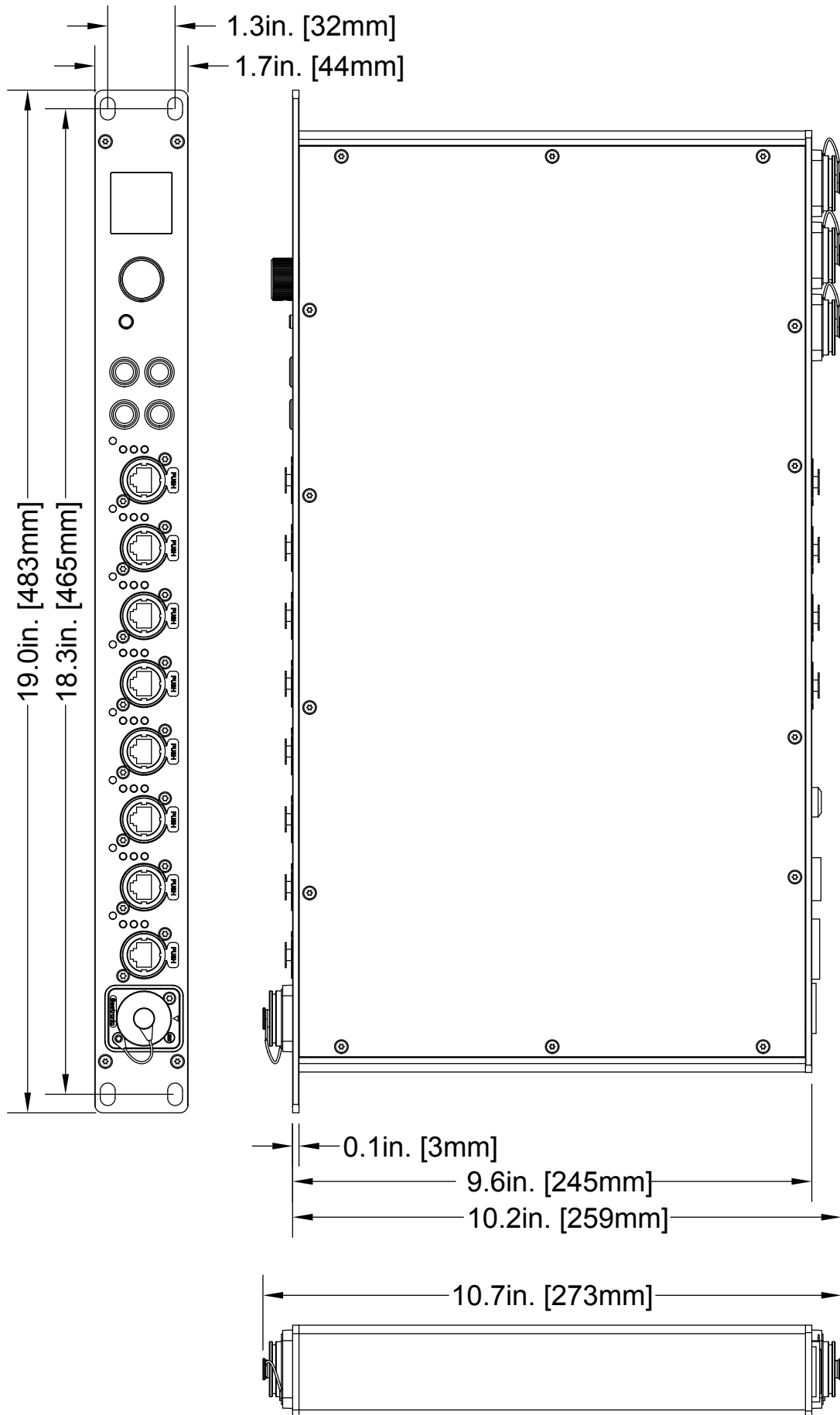
Included Items

- 5ft (1.5m) locking IP65 power cable (EU or US version)

SKU

- US #: NFS116
- EU #: 1330000017

DIMENSIONS



FCC STATEMENT

FCC Class A Warning:

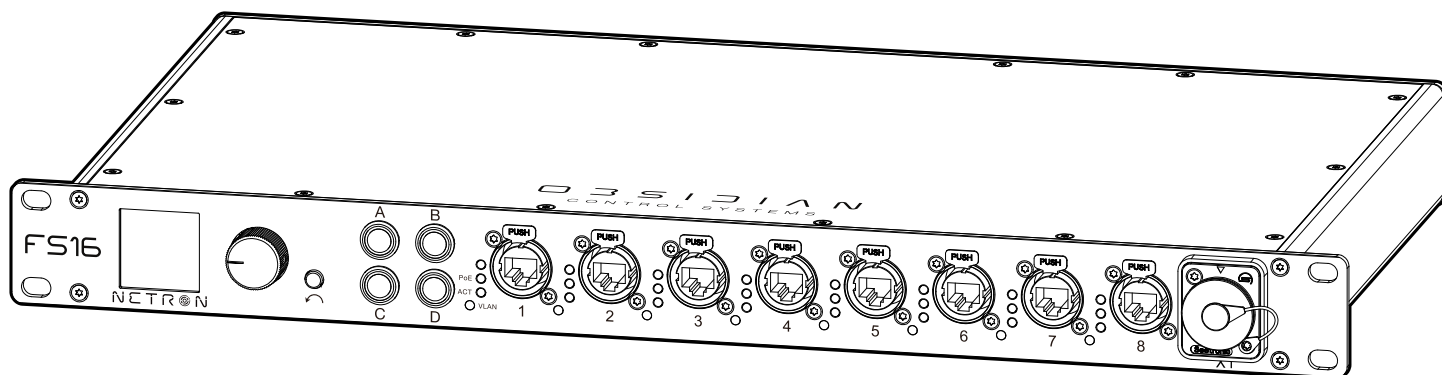
Please note that changes or modifications of this product that are not expressly approved by the party responsible for compliance could void the user's authority to operate this equipment.

NOTE: This equipment has been tested and found to comply with the limits for a Class A digital device, pursuant to part 15 of the FCC Rules. These limits are designed to provide reasonable protection against harmful interference when the equipment is operated in a commercial environment. This equipment generates, uses, and can radiate radio frequency energy and, if not installed and used in accordance with the instruction manual, may cause harmful interference to radio communications. Operation of this equipment in a residential area is likely to cause harmful interference, in which case the user will be required to correct the interference at his or her own expense.



OBSIDIAN™

CONTROL SYSTEMS



NETRON

FS16

Guide d'installation

© **2026 OBSIDIAN CONTROL SYSTEMS**. Tous droits réservés. Les informations, spécifications, schémas, images et instructions contenus dans ce document sont susceptibles d'être modifiés sans préavis. Le logo Obsidian Control Systems et les noms et numéros de produits identifiants sont des marques déposées d'ADJ PRODUCTS LLC. La protection du droit d'auteur s'applique à toutes les formes et matières de matériaux et informations protégés par le droit d'auteur, actuels ou futurs. Les noms de produits utilisés dans ce document peuvent être des marques ou des marques déposées de leurs sociétés respectives et sont ici reconnus. Toutes les marques et noms de produits non ADJ sont des marques ou des marques déposées de leurs sociétés respectives.

OBSIDIAN CONTROL SYSTEMS et toutes les sociétés affiliées déclinent toute responsabilité en cas de dommages matériels, aux équipements, aux bâtiments et électriques, de blessures corporelles ou de pertes économiques directes ou indirectes résultant de l'utilisation ou de la confiance accordée à toute information contenue dans ce document, et/ou résultant d'un assemblage, d'une installation, d'un gréage ou d'une utilisation incorrects, dangereux, insuffisants ou négligents de ce produit.

ELATION PROFESSIONAL B.V.

Junostraat 2 | 6468 EW Kerkrade, The Netherlands
+31 45 546 85 66

Économie d'énergie (EuP 2009/125/CE)

Économiser l'énergie électrique est essentiel pour protéger l'environnement. Veuillez éteindre tous les produits électriques lorsqu'ils ne sont pas utilisés. Pour éviter la consommation en mode veille, débranchez tous les équipements électriques de l'alimentation lorsqu'ils ne sont pas utilisés. Merci !

Version du document : Une version mise à jour de ce document peut être disponible en ligne. Veuillez consulter www.obsidiancontrol.com pour la dernière révision/mise à jour de ce document avant de commencer l'installation et l'utilisation.

Date	Version du document	Remarque
05/14/2026	1	Version initiale

TABLE DES MATIÈRES

INFORMATIONS GÉNÉRALES	4
GARANTIE LIMITÉE	5
CONSIGNES DE SÉCURITÉ	6
APERÇU	7
CONNEXIONS	8
INSTRUCTIONS D'INSTALLATION	11
MAINTENANCE	13
SPÉCIFICATIONS	14
DIMENSIONS	15
DÉCLARATION FCC	16

INFORMATIONS GÉNÉRALES

USAGE PROFESSIONNEL UNIQUEMENT

INTRODUCTION

Veillez lire et comprendre attentivement les instructions de ce manuel avant de tenter de mettre en œuvre cet appareil. Ces instructions contiennent des informations importantes de sécurité et d'utilisation.

DÉBALLAGE

Chaque appareil a été rigoureusement testé et expédié en parfait état de fonctionnement. Vérifiez soigneusement le carton d'expédition pour détecter tout dommage éventuel survenu pendant le transport. Si le carton est endommagé, inspectez l'appareil avec attention et assurez-vous que tous les accessoires nécessaires à l'installation et à l'utilisation sont arrivés intacts. En cas de dommage constaté ou de pièces manquantes, contactez notre service d'assistance technique pour obtenir des instructions complémentaires. Ne retournez pas cet appareil à votre revendeur sans avoir préalablement contacté le support technique. Ne jetez pas le carton d'expédition à la poubelle. Recyclez-le dès que possible.

SUPPORT TECHNIQUE

Contactez votre revendeur ou distributeur Obsidian Control Systems local pour tout besoin de service ou d'assistance lié au produit.

OBSIDIAN CONTROL SERVICE EUROPE

Du lundi au vendredi de 08:30 à 17:00 CET
+31 45 546 85 63 | support@obsidiancontrol.com

OBSIDIAN CONTROL SERVICE USA

Du lundi au vendredi de 08:30 à 17:00 PST
+1(844) 999-9942 | support@obsidiancontrol.com

GARANTIE LIMITÉE

1. Obsidian Control Systems garantit par la présente, à l'acheteur initial, que les produits Obsidian Control Systems sont exempts de défauts de fabrication au niveau des matériaux et de la main-d'œuvre pendant une période de deux ans (730 jours)
2. Pour toute intervention sous garantie, renvoyez le produit uniquement au centre de service Obsidian Control Systems. Tous les frais d'expédition doivent être prépayés. Si les réparations ou le service demandé (y compris le remplacement de pièces) sont couverts par les termes de cette garantie, Obsidian Control Systems prendra en charge les frais de retour d'expédition uniquement vers un point désigné aux États-Unis. Tout produit renvoyé doit être expédié dans son emballage et son conditionnement d'origine. Aucun accessoire ne doit être expédié avec le produit. Si des accessoires sont expédiés avec le produit, Obsidian Control Systems décline toute responsabilité quant à la perte et/ou aux dommages de ces accessoires, ainsi que pour leur retour en bon état.
3. Cette garantie est nulle si le numéro de série et/ou les étiquettes du produit sont modifiés ou retirés ; si le produit a été modifié de quelque manière que ce soit qu'Obsidian Control Systems juge, après inspection, affecter sa fiabilité ; si le produit a été réparé ou entretenu par une personne autre que le centre de service d'usine Obsidian Control Systems, sauf autorisation écrite préalable délivrée à l'acheteur par Obsidian Control Systems ; ou si le produit est endommagé parce qu'il n'a pas été correctement entretenu conformément aux instructions, consignes et/ou manuel d'utilisation du produit.
4. Il ne s'agit pas d'un contrat de service et cette garantie ne couvre ni l'entretien, ni le nettoyage, ni les vérifications périodiques. Pendant les périodes spécifiées ci-dessus, Obsidian Control Systems remplacera les pièces défectueuses à ses frais et prendra en charge tous les frais de main-d'œuvre liés au service et à la réparation sous garantie en raison de défauts de matériaux ou de main-d'œuvre. La seule responsabilité d'Obsidian Control Systems au titre de cette garantie se limite à la réparation ou au remplacement du produit, y compris les pièces, à la seule discrétion d'Obsidian Control Systems. Tous les produits couverts par cette garantie ont été fabriqués après le 1er janvier 1990 et portent des marques d'identification à cet effet.
5. Obsidian Control Systems se réserve le droit d'apporter des modifications de conception et/ou des améliorations de performance à ses produits sans aucune obligation d'inclure ces modifications dans les produits déjà fabriqués.
6. Aucune garantie, expresse ou implicite, n'est donnée ou faite concernant tout accessoire fourni avec les produits décrits ci-dessus. Sauf dans la mesure interdite par la loi applicable, toutes les garanties implicites faites par Obsidian Control Systems en lien avec ce produit, y compris les garanties de qualité marchande ou d'adéquation à un usage particulier, sont limitées en durée aux périodes de garantie indiquées ci-dessus. Aucune garantie, expresse ou implicite, y compris les garanties de qualité marchande ou d'adéquation à un usage particulier, ne s'appliquera à ce produit après l'expiration desdites périodes. Le seul recours du consommateur et/ou du revendeur sera la réparation ou le remplacement expressément prévu ci-dessus ; et en aucun cas Obsidian Control Systems ne pourra être tenu responsable de toute perte et/ou dommage, direct ou indirect, découlant de l'utilisation ou de l'impossibilité d'utiliser ce produit.
7. Cette garantie est la seule garantie écrite applicable aux produits Obsidian Control Systems et remplace toutes les garanties antérieures ainsi que toutes les descriptions écrites des conditions de garantie publiées auparavant.
8. Utilisation des logiciels et micrologiciels : Dans la mesure maximale permise par la loi applicable, en aucun cas Elation ou Obsidian Control Systems ou ses fournisseurs ne pourront être tenus responsables de quelque dommage que ce soit (y compris, sans s'y limiter, les dommages pour perte de profits ou de données, interruption d'activité, blessure corporelle ou toute autre perte) découlant de ou lié de quelque manière que ce soit à l'utilisation ou à l'impossibilité d'utiliser les micrologiciels ou logiciels, à la fourniture ou à la non-fourniture de support ou d'autres services, informations, micrologiciels, logiciels et contenus associés par le biais du logiciel ou autrement découlant de l'utilisation de tout logiciel ou micrologiciel, même en cas de faute, de négligence, de représentation erronée, de responsabilité stricte, de violation de garantie d'Elation ou d'Obsidian Control Systems ou de tout fournisseur, et même si Elation ou Obsidian Control Systems ou tout fournisseur a été informé de la possibilité de tels dommages.

RETOURS SOUS GARANTIE : Tous les articles retournés pour service, qu'ils soient sous garantie ou non, doivent être expédiés en port payé et accompagnés d'un numéro d'autorisation de retour (R.A.). Le numéro R.A. doit être clairement indiqué sur l'extérieur du colis de retour. Une brève description du problème ainsi que le numéro R.A. doivent également être inscrits sur un papier et inclus dans le conteneur d'expédition. Si l'appareil est sous garantie, vous devez fournir une copie de votre facture d'achat. Les articles retournés sans numéro R.A. clairement indiqué sur l'extérieur du colis seront refusés et renvoyés aux frais du client. Vous pouvez obtenir un numéro R.A. en contactant le support technique.

CONSIGNES DE SÉCURITÉ

Cet appareil est un équipement électronique sophistiqué. Pour garantir un fonctionnement sans problème, il est important de suivre toutes les instructions et consignes contenues dans ce manuel. Obsidian Control Systems n'est pas responsable des blessures et/ou dommages résultant d'une mauvaise utilisation de cet appareil due au non-respect des informations imprimées dans ce manuel. Seules les pièces et/ou accessoires d'origine inclus avec cet appareil doivent être utilisés. Toute modification de l'appareil, des pièces incluses ou des accessoires annulera la garantie du fabricant d'origine et augmentera le risque de dommages et/ou de blessures corporelles.

NE TENTEZ PAS D'UTILISER CET APPAREIL SANS AVOIR REÇU UNE FORMATION COMPLÈTE SUR SON UTILISATION. TOUT DOMMAGE OU TOUTE RÉPARATION DE CET APPAREIL OU DE TOUT PROJECTEUR CONTRÔLÉ PAR CET APPAREIL RÉSULTANT D'UNE UTILISATION INCORRECTE ET/OU DU NON-RESPECT DES CONSIGNES DE SÉCURITÉ ET D'UTILISATION CONTENUES DANS CE DOCUMENT ANNULENT LA GARANTIE OBSIDIAN CONTROL SYSTEMS ET NE SONT PAS COUVERTS PAR UNE QUELCONQUE RÉCLAMATION OU RÉPARATION SOUS GARANTIE. CELA PEUT ÉGALEMENT ANNULER LA GARANTIE DES AUTRES APPAREILS NON FABRIQUÉS PAR OBSIDIAN CONTROL SYSTEMS.



CLASSE DE PROTECTION 1 – L'APPAREIL DOIT ÊTRE CORRECTEMENT MIS À LA TERRE.



ÉLOIGNEZ LES MATÉRIAUX INFLAMMABLES DE L'APPAREIL.



**USAGE EN LIEUX SECS UNIQUEMENT !
NE PAS EXPOSER L'APPAREIL À LA PLUIE, À L'HUMIDITÉ ET/OU À DES ENVIRONNEMENTS EXTRÊMES !
NE PAS RERVERSEZ D'EAU ET/OU DE LIQUIDES SUR OU DANS L'APPAREIL !**

DÉBRANCHEZ l'appareil de l'alimentation secteur avant de retirer les fusibles ou toute pièce, et lorsqu'il n'est pas utilisé.

Mettez toujours cet appareil à la terre électriquement.

Utilisez uniquement une source d'alimentation AC conforme aux codes locaux de construction et électriques et disposant à la fois d'une protection contre les surcharges et d'une protection contre les défauts à la terre.

N'ESSAYEZ JAMAIS de contourner les fusibles. Remplacez toujours les fusibles défectueux par des fusibles du type et du calibre spécifiés.

Confiez toute intervention à un technicien qualifié

NE MODIFIEZ PAS l'appareil sauf pour remplacer les transceivers fibre SFP et les connecteurs fibre SEETRONIC accessibles par l'utilisateur. Cette maintenance doit être effectuée par du personnel qualifié en utilisant uniquement des pièces NETRON d'origine. Toute autre modification annulera la garantie et pourrait créer un risque de sécurité.

ATTENTION : Risque d'incendie et de choc électrique. Utilisez uniquement dans des lieux secs.

Évitez toute manipulation brutale lors du transport ou de l'utilisation.

N'EXPOSEZ AUCUNE PARTIE de l'appareil à une flamme nue ou à de la fumée. Tenez l'appareil à l'écart des sources de chaleur telles que radiateurs, registres de chaleur, poêles ou autres appareils (y compris les amplificateurs) qui produisent de la chaleur.

N'UTILISEZ PAS l'appareil dans des environnements extrêmes et/ou sévères.

N'UTILISEZ PAS l'appareil si le cordon d'alimentation est effiloché, pincé, endommagé et/ou si l'un des connecteurs du cordon d'alimentation est endommagé.

Laissez un espace libre et non obstrué pour la circulation d'air sous et à l'arrière du produit. Ne bloquez pas les fentes de ventilation.

N'UTILISEZ PAS le produit si la température ambiante dépasse 40 °C (104 °F).

Transportez le produit uniquement dans un emballage adapté ou une flight case sur mesure. Les dommages dus au transport ne sont pas couverts par la garantie.

APERÇU

Le **NETRON FS16** est un puissant commutateur réseau rackmount équipé de 12 ports Gigabit, de 4 ports fibre et de la prise en charge PoE+. Avec un budget total de puissance PoE de 180 W, le FS16 est parfaitement adapté pour distribuer des données et de l'alimentation aux nœuds NETRON ou à tout autre appareil réseau compatible PoE+.

Hautement optimisé pour le traitement des gros volumes de données des systèmes d'éclairage modernes, le **NETRON FS16** distribue une grande variété de protocoles de divertissement sans latence, garantissant des temps de réaction instantanés et une exécution parfaite.

Le FS16 intègre quatre boutons de rappel de presets dédiés sur la face avant, idéalement positionnés pour fonctionner comme sélecteur de réseau. Le rappel instantané des routages de signal permet d'activer en un instant des consoles principale et backup ou différents setups façade. Les sélections de réseau peuvent également être effectuées à distance via un simple câble RJ45 ou l'interface web.

Conçu pour les productions live et les installations fixes, le boîtier rack 1U est refroidi par convection et offre un réglage direct via l'écran OLED intégré.

La configuration à distance est possible via l'interface web intégrée ou le NETRON Central Utility (CLU) pour une découverte facile, un retour d'état et une gestion des fonctionnalités.

CARACTÉRISTIQUES PRINCIPALES :

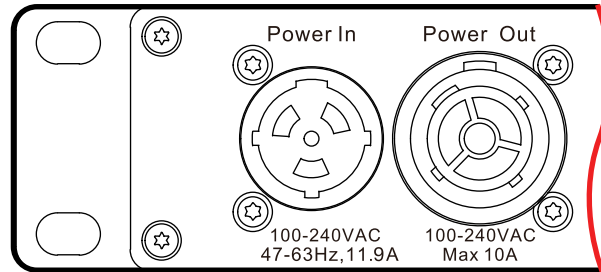
- Commutateur réseau 1U pleine largeur optimisé pour les applications de divertissement à forte charge de données
- 12 ports Gigabit RJ45 verrouillables
- 4 ports fibre interchangeable format D préinstallés avec ports fibre SEETRONIC Duplex (SO2DF, format D)
- 4 modules SFP préconfigurés avec :
 - (1) 10 Gbps MMF 850 nm
 - (3) 1,25 Gbps MMF 850 nm
- Prise en charge Art-Net et sACN
- X-Net, HogNet, MA-Net, ETC Net3 et divers autres protocoles
- Presets usine et utilisateur pour une mise en œuvre plug-and-play
- Rappel de presets pour sélection de réseau, réglages et routages
- Prise en charge PoE et PoE+ avec commutation d'alimentation par port
- Écran OLED pour réglages directs des fonctionnalités
- Configuration à distance via interface web interne
- Conception refroidie par convection
- Boîtier rack 1U en aluminium peint par poudrage

CONNEXIONS

CONNEXION SECTEUR



Le NETRON FS16 d'Obsidian Control Systems est conçu pour une tension de 100-240 V. Ne le connectez pas à une alimentation en dehors de cette plage. Les dommages résultant d'une connexion incorrecte ne sont pas couverts par la garantie.



Amérique du Nord : Un câble équipé d'une fiche NEMA 15-5P est fourni pour une utilisation avec le FS16 aux États-Unis et au Canada. Ce câble approuvé doit être utilisé en Amérique du Nord.

Reste du monde : Le câble fourni n'est pas équipé d'une fiche spécifique au pays. Installez uniquement une fiche conforme aux codes électriques locaux et nationaux et adaptée aux exigences spécifiques du pays.



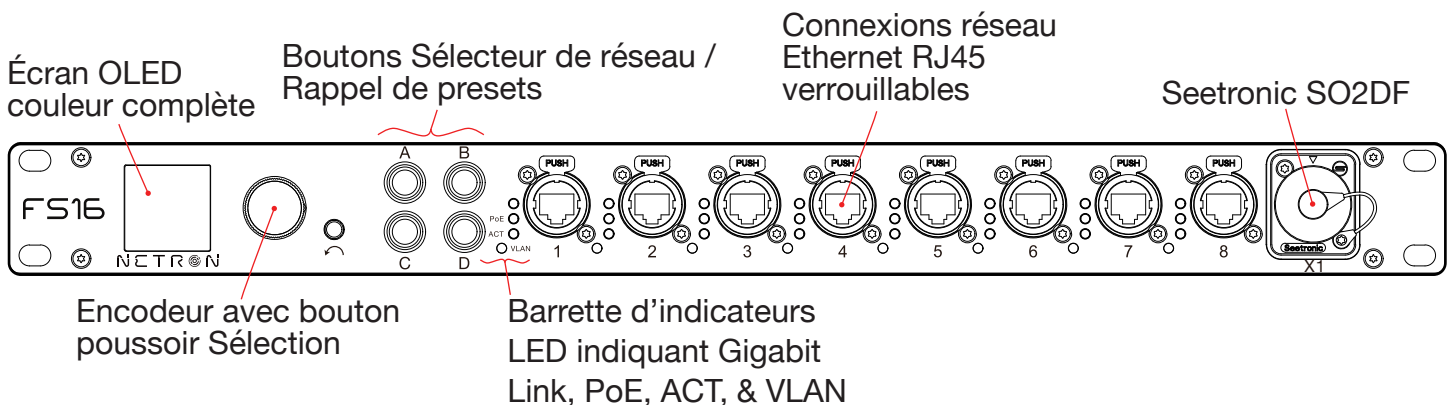
Une fiche de type mise à la terre à 3 broches (type earthed) doit être installée conformément aux instructions du fabricant de la fiche.

CONNEXIONS

CONNEXIONS AVANT

Avant :

- (8) connexions réseau Ethernet RJ45 verrouillables
- (1) port fibre SEETRONIC SO2DF (compatible LC et DUO))
 - 10 Gbps Multimode
 - 850 nm
 - 300 m
- Retour LED par port pour Activité, PoE et VLAN
- Écran OLED couleur complète
- Encodeur avec bouton Pousser pour Sélection / Sortie
- (4) boutons de rappel de presets / sélecteur de réseau



INDICATEURS LED DE STATUT DES PORTS

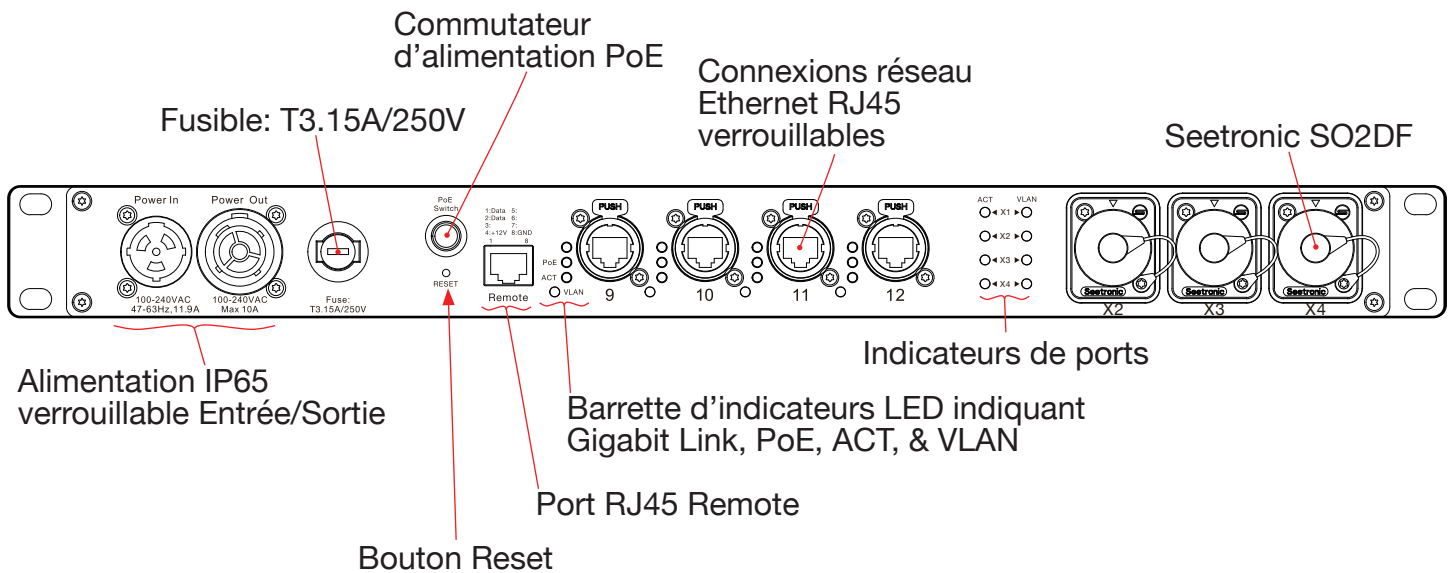
Couleur LED	Fixe	Clignotement	Clignotement rapide / Stroboscopique
LINK			
ACTIVITÉ	Liaison établie	Trafic de données	-
PoE	PoE / PoE+ actif	-	-
*VLAN	VLAN assigné	-	-

Note : Seuls les LEDs de rappel de presets et VLAN* sont dimmables via **Menu > System > Display > LED Brightness**. *La couleur du LED VLAN est assignée et donc personnalisable.

CONNEXIONS

CONNEXIONS ARRIÈRE

- Alimentation IP65 verrouillable Entrée/Sortie
- (4) connexions réseau Ethernet RJ45 verrouillables
- (3) ports fibre SEETRONIC SO2DF (compatibles LC et DUO)
 - 1,25 Gbps Multimode
 - 850 nm
 - 300 m
- Port RJ45 Remote pour station de boutons optionnelle
- Retour LED par port pour Activité, PoE et VLAN
- Commutateur d'alimentation PoE
- Bouton Reset
- Fusible : T3.15A/250V



INSTRUCTIONS D'INSTALLATION



DÉBRANCHEZ L'ALIMENTATION AVANT TOUTE OPÉRATION DE MAINTENANCE !



CONNEXIONS ÉLECTRIQUES

Un électricien qualifié doit être utilisé pour toutes les connexions électriques et/ou installations.



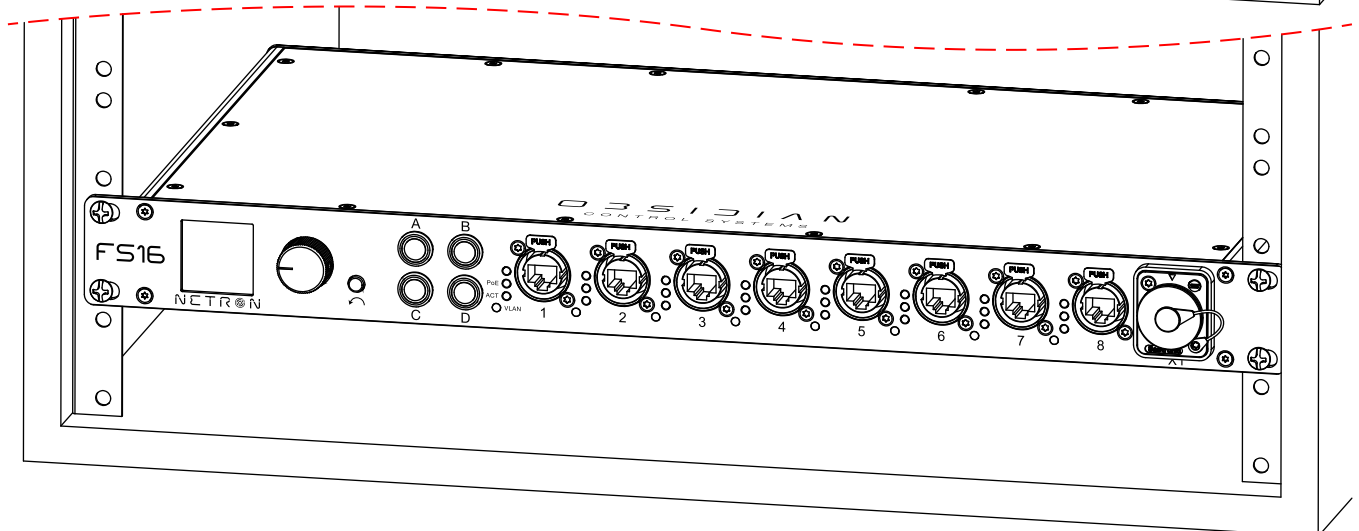
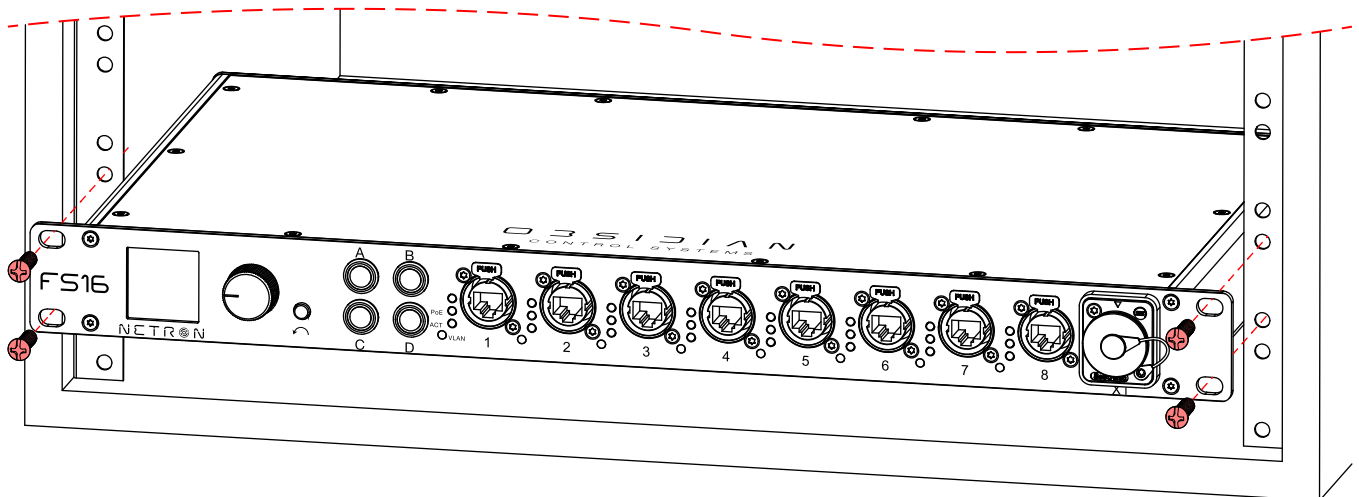
ATTENTION LORS DU CHAÎNAGE D'ALIMENTATION D'AUTRES MODÈLES D'APPAREILS. LA CONSOMMATION D'AUTRES MODÈLES D'APPAREILS PEUT DÉPASSER LA PUISSANCE MAXIMALE DE SORTIE DE CET APPAREIL. VÉRIFIEZ LA SERIGRAPHIE POUR LA VALEUR MAXIMALE EN AMPÈRES.

L'appareil **DOIT** être installé conformément à tous les codes électriques et de construction locaux, nationaux et du pays concerné.

MONTAGE EN RACK

Le NETRON FS16 est un appareil rackmount 1U pleine largeur.

- Installez l'appareil dans un rack 19 pouces standard à l'aide des oreilles de rack incluses.
- Fixez les oreilles de rack à l'avant de l'appareil à l'aide de vis de rack adaptées (non fournies).
- Utilisez les quatre points de fixation lors de l'installation dans le rack.
- Laissez suffisamment d'espace au-dessus et en dessous de l'appareil pour un refroidissement par convection correct. **Ne bloquez pas la circulation d'air sous et à l'arrière de l'appareil.**



INSTRUCTIONS D'INSTALLATION

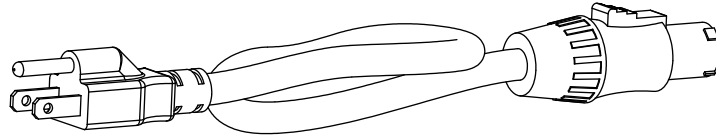
VENTILATION

Le FS16 est refroidi par convection.

- Maintenez une circulation d'air libre et non obstruée sous et à l'arrière de l'appareil.
- N'installez pas l'appareil dans une enceinte fermée ou non ventilée.
- La température ambiante maximale de fonctionnement est de 40 °C (104 °F).

CONNEXION D'ALIMENTATION

- Connectez l'appareil uniquement à une source d'alimentation AC correctement mise à la terre, dans la plage de tension nominale (100–240 V, 50/60 Hz).
- Utilisez uniquement le câble d'alimentation IP65 verrouillable fourni (version US illustrée).



- Lors du chaînage d'alimentation de plusieurs appareils, vérifiez la sérigraphie sur le panneau arrière pour la valeur maximale en ampères.

MAINTENANCE

Le NETRON FS16 est conçu comme un appareil robuste et adapté aux tournées. La seule opération d'entretien requise est un nettoyage occasionnel. Pour toute autre intervention de service, veuillez contacter votre revendeur Obsidian Control Systems ou consulter le site www.obsidiancontrol.com.

Toute intervention non décrite dans ce guide doit être effectuée par un technicien qualifié et agréé Obsidian Control Systems.

Ne vaporisez jamais le produit nettoyant directement sur la surface de l'appareil ; vaporisez toujours sur un chiffon non pelucheux et essuyez. Utilisez de préférence des produits de nettoyage conçus pour téléphones portables et tablettes.



Important ! L'accumulation excessive de poussière, de saleté, de fumée, de résidus de fluide et d'autres matériaux peut dégrader les performances du FS16, provoquer une surchauffe et endommager l'appareil. Ces dommages ne sont pas couverts par la garantie.

Remplacement du fusible



Le FS16 est protégé par un seul fusible secteur T3.15 A slow-blow situé dans un porte-fusible à l'arrière de l'appareil.

Débranchez le produit de l'alimentation secteur avant de remplacer le fusible, car certaines parties de l'appareil peuvent rester sous tension même si le fusible principal a sauté. Remplacez toujours par un fusible du même type et du même calibre.

SPÉCIFICATIONS

Montage

- Rack 1U

Connexions

Avant

- (8) connexions réseau Ethernet RJ45 verrouillables
- (1) port fibre SEETRONIC SO2DF (compatible LC et DUO)
 - 10 Gbps Multimode
 - 850 nm
 - 300 m
- Retour LED par port pour Activité, PoE et VLAN
- Écran OLED couleur complète
- Encodeur avec bouton poussoir Sélection / Sortie
- (4) boutons Sélecteur de réseau / Rappel de presets

Arrière

- Alimentation IP65 verrouillable Entrée/Sortie
- (4) connexions réseau Ethernet RJ45 verrouillables
- (3) ports fibre SEETRONIC SO2DF (compatibles LC et DUO)
 - 1,25 Gbps Multimode
 - 850 nm
 - 300 m
- Port RJ45 Remote pour station de boutons optionnelle
- Retour LED par port pour Activité, PoE et VLAN
- Commutateur d'alimentation PoE
- Bouton Reset
- Fusible : T3.15A/250V

Protocoles pris en charge

- sACN, Art-Net
- ONYX X-Net, MA-Net2, MA-Net3, HogNet, ETC Net3
- Dante
- Broadcast, Unicast, Multicast

Fonctions Ethernet

- IEEE 802.3, 802.3ab, 802.3x, 802.1p, 802.3at, 802.3af, 802.1Q, IGMPv2, IGMPv3
- PoE (15 W), PoE+ (30 W), réglage de puissance par port
- IGMP Querier, IGMP Snooping
- VLAN (6 groupes, Trunk, Code couleur)
- Serveur DHCP par VLAN
- Preset QoS compatible Dante
- Capacité totale de commutation : 48 Gbps

Caractéristiques physique

- Profondeur : 10,33 in. (262,3 mm)
- Largeur : 19 in. (482,5 mm)
- Hauteur : 1,4 in. (44 mm)
- Poids : 7,05 lb (4,2 kg)

Caractéristiques électriques

- 100–240 V nominal, 50/60 Hz
- 180 W maximum power consumption
- PoE 802.3at (max 30 W per port)

Homologations / Classes de protection

- CE | cETLus | FCC | UKCA | IP20



Commande

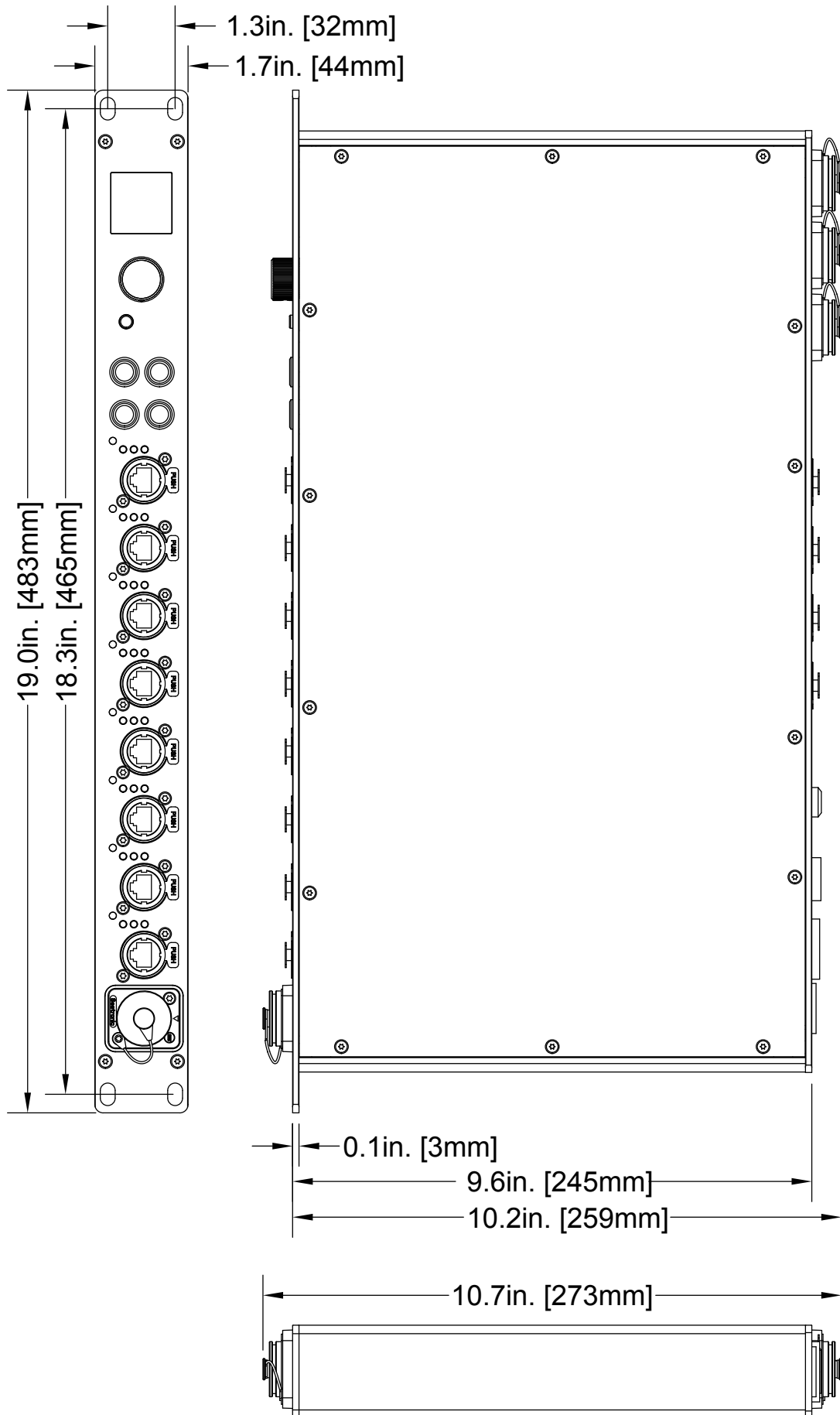
Éléments inclus

- Câble d'alimentation IP65 verrouillable 5 ft (1,5 m) (version EU ou US))

Référence (SKU)

- US #: NFS116
- EU #: 1330000017

DIMENSIONS



DÉCLARATION FCC

AVERTISSEMENT FCC CLASSE A

Cet équipement a été testé et déclaré conforme aux limites pour un appareil numérique de Classe A, conformément à la partie 15 des Règles de la FCC. Ces limites sont conçues pour fournir une protection raisonnable contre les interférences nuisibles lorsque l'équipement est utilisé dans un environnement commercial. Cet équipement génère, utilise et peut émettre de l'énergie radiofréquence et, s'il n'est pas installé et utilisé conformément aux instructions, peut causer des interférences nuisibles aux communications radio.

Le fonctionnement de cet équipement dans un environnement résidentiel est susceptible de causer des interférences nuisibles, auquel cas l'utilisateur devra corriger l'interférence à ses frais.

Note importante : Les modifications non expressément approuvées par la partie responsable de la conformité pourraient annuler l'autorité de l'utilisateur à utiliser cet équipement.



