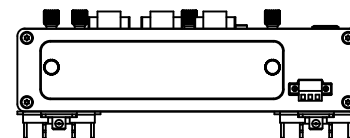
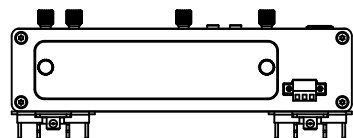
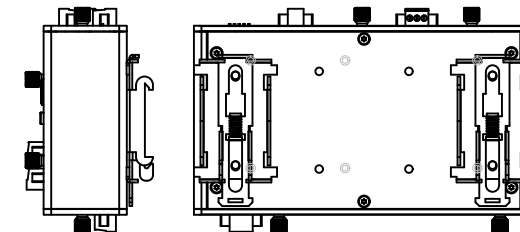
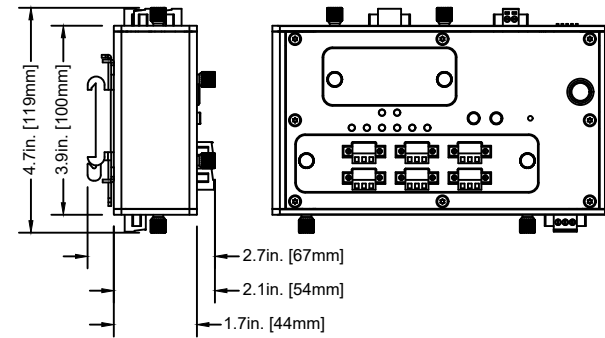
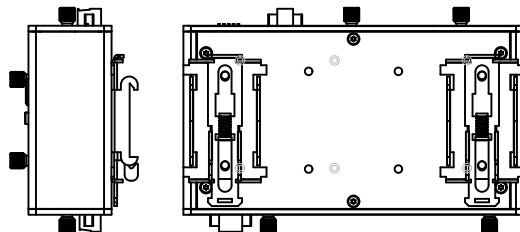
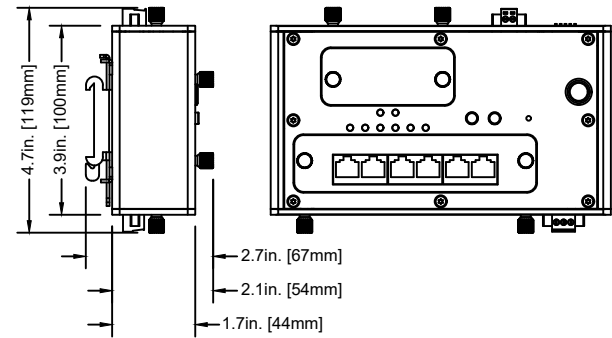
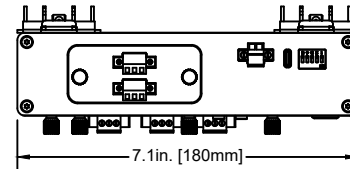
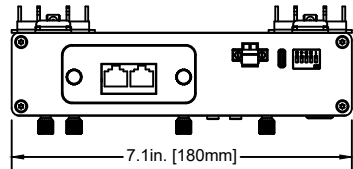
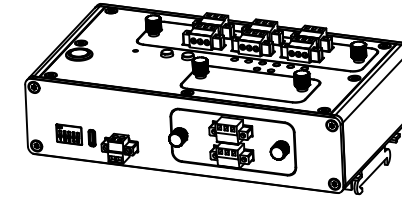
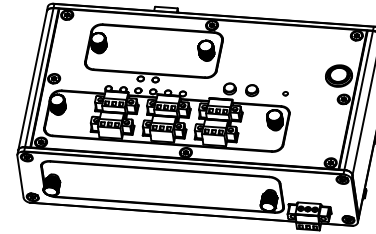
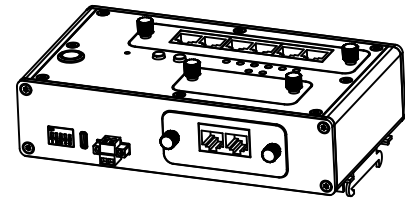
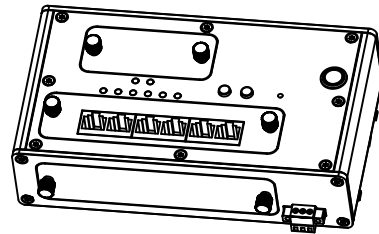


©OBSIDIAN CONTROL SYSTEMS all rights reserved. Information contained within this drawing is proprietary and confidential. Any reproduction and/or distribution of any part of this drawing without the written consent of OBSIDIAN CONTROL SYSTEMS is strictly prohibited. Diagrams and/or measurements herein subject to change without notice.



OBSIDIAN[™] NETRON
CONTROL SYSTEMS

TITLE: RDM6D		DATE: 240801
SCALE: NONE	TOL: .XX(.X) .XXX(.XX) ± - -	ANGLE: -