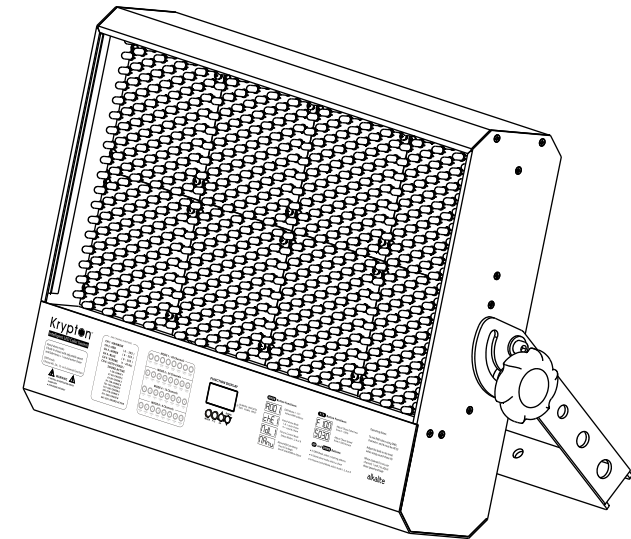


Krypton

KT-81 USER MANUAL

alkalite
info@alkalite.com
© 2004





Cautions

FOR INDOOR USE ONLY

KEEP DRY

INSTALL ONLY IN WELL-VENTILATED AREAS

DO NOT ATTEMPT TO OPEN THE CONTROLLER OR FIXTURES

NO USER SERVICEABLE PARTS INSIDE

DANGER: Ensure that main power supply is off before installing or wiring the *krypton* system.

Warranty

The distributor warrants its products to be free of manufacturing defects in material and workmanship for a period of 90 days from the date of original purchase. For products properly registered under the distributor warranty registration program (details below), the distributor warrants its products for a period of 1 year from the original purchase date. This warranty shall be valid only if the product is purchased from its authorized distributors or dealers. It is the purchaser's responsibility to establish the date and place of purchase by acceptable evidence at the time service is sought. For warranty service, send the product only to an authorized distributor or dealer.

All warranties are void if the serial number has been altered or removed; if the product has been modified in any manner; if the product has been repaired or serviced by unauthorized personnel; or if the product is damaged due to improper use or maintenance as set forth in the instruction manual.

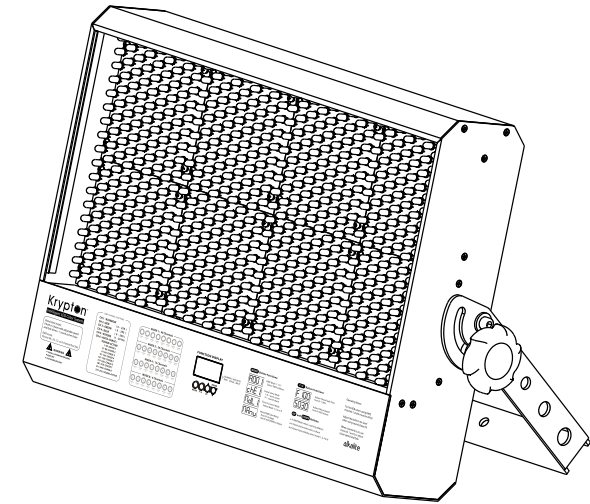
This is not a service contract and does not include standard maintenance or cleaning. Lamps, fuses, brushes, belts and all expendables are not covered by this warranty.

The distributor reserves the right to change design and specifications without obligation to include these changes in previously manufactured products.

Additional warranties provided at the discretion of the distributor dealers shall remain the sole obligation of the distributor or dealer.

Introduction

The Krypton 81 intelligent LED color system contains 648 high efficiency, high brightness LEDs which produce a wide variety of lighting effects, such as chase, strobe and mix colors by four modes (Stand-alone, DMX, Sound-active or manual RGB adjustment). It further provides 9 built-in stunning chasing with variable speed, and a built-in controller. This solid-state lighting system has been designed for easy installation, multi-purpose hanging, safe, energy-efficient, and long-life-operation.



The System Includes:

- 1 × Krypton 81 Unit
- 1 × Mounting Bracket
- 2 × Gear Screw Set
- 1 Installation Guide

Additional Items Not Included:

- DMX controller

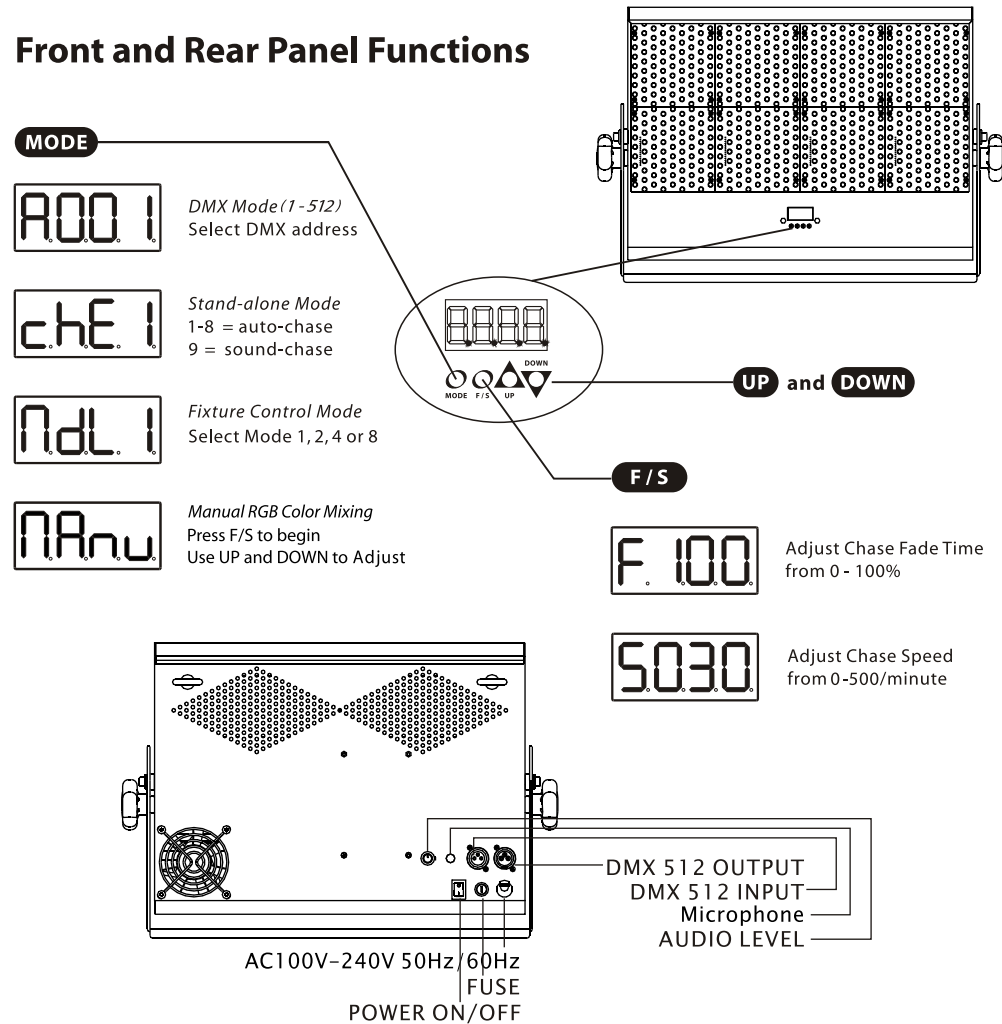
Installation

If the *Krypton* is to be hung from a truss, ensure that it is securely clamped and that a safety cable is wound through the *Krypton's* mounting bracket and around the truss as a fail-safe.

If the *Krypton* is to be mounted to a wall, ceiling, floor or shelf, ensure that the mounting screws will adequately bear the load.

Ensure that the *Krypton* is hung or mounted in such a way as to allow adequate ventilation. Built-in enclosures must be actively ventilated.

Front and Rear Panel Functions

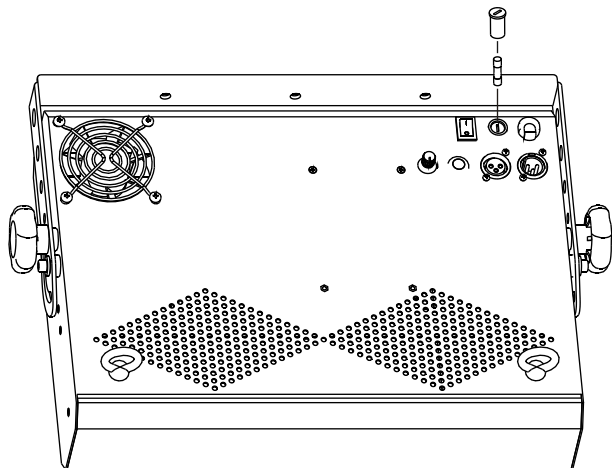


Technical Specifications

POWER SUPPLY:	100V	<input type="checkbox"/>	230V	<input type="checkbox"/>	50Hz	<input type="checkbox"/>
	120V	<input type="checkbox"/>	240V	<input type="checkbox"/>	60Hz	<input type="checkbox"/>
	220V	<input type="checkbox"/>				
POWER CONSUMPTION:	115W					
CONTROL:	DMX, BUILT-IN MIC, AUTO					
DIMENSIONS:	478mmx327mmx90mm					
WEIGHT:	6.7KG					
FUSE:	120VAC 250V/T2.0A; 230VAC 250V/T1.5A					

Fuse Replacement

The *Krypton* fuse may be replaced as illustrated below.



Cautions

DISCONNECT AC MAINS POWER BEFORE REPLACING
REPLACE WITH FUSE OF SAME TYPE AND RATING

Stand-alone Operation

Refer to the four buttons on the front panel of the *Krypton*:



Press the MODE button to view the Chase menu:



Select Chases 1-9 using the UP and DOWN buttons
Chases 1-8 run according to the Fade and Speed values
Chase 9 is Sound-active

Press the F/S button to set the Fade and Speed values:




Adjust Chase Fade Time from 0-100%



Adjust Chase Speed from 0-500 steps per minute

Manual RGB Adjustment

Find  manual RGB adjustment menu by pressing MODE button. Press F/S to select desire color for adjustment, use UP and DOWN button to adjust value.



Indicates Red from dark to bright.



Indicates Green from dark to bright.



Indicates Blue from dark to bright.

Program will memory from last adjustment.

Sound-active Operation

In Stand-alone mode, select Chase 9 and adjust the audio input level using the sensitivity control dial on the rear panel of the *Krypton*.

In DMX mode, use Channel 6 to select Sound-active operation.

DMX Operation

Press the MODE button to view the DMX address setting menu 

Select the DMX starting address for built-in controller using the UP and DOWN buttons.

The DMX Channel functions are:

- Channel 1 : Rainbow
- Channel 2 : Red (0 -255)
- Channel 3 : Green (0 -255)
- Channel 4 : Blue (0 -255)
- Channel 5 : Strobe (1-20HZ)
- Channel 6 : Sound-active

There are 8 modes of self-running programs (value: 1-240) and one sound-active (value: 241-255) in Channel 6.

255	<input type="checkbox"/>	Sound-active	Chase 1 : 1-30
240	<input type="checkbox"/>	chase 8	Chase 2 : 31-60
210	<input type="checkbox"/>	chase 7	Chase 3 : 61-90
180	<input type="checkbox"/>	chase 6	Chase 4 : 91-120
150	<input type="checkbox"/>	chase 5	Chase 5 : 121-150
120	<input type="checkbox"/>	chase 4	Chase 6 : 151-180
90	<input type="checkbox"/>	chase 3	Chase 7 : 181-210
60	<input type="checkbox"/>	chase 2	Chase 8 : 121-240
30	<input type="checkbox"/>	chase 1	Sound-active : 241-255
0	<input type="checkbox"/>		

If DMX signal exists, signal in the display panel will flash.
The lighting fixture should be preserved in dry, cool and ventilated area.
The built-in controller will automatically detect the presence of a DMX signal.

In order to receive a DMX signal, the built-in controller must be attached to

a DMX controller by a 3-pin DMX cable and the DMX controller must be turned on.

To mix RGB color using DMX, Channel 1 (Rainbow) must be off (0).

When programming your own DMX sequences, note that Channel 6 must be off (0) to avoid activating Sound-active mode during playback.

DMX MODES:



DMX Mode 1 : 48-channel operation
(Control each *Krypton* LED cluster independently)

CH 25-30	CH 31-36	CH 37-42	CH 43-48
CH 1-6	CH 7-12	CH 13-18	CH 19-24



DMX Mode 2 : 24-channel operation
(Control 4 sets of 2 *Krypton* LED clusters)

CH 13-18	CH 13-18	CH 19-24	CH 19-24
CH 1-6	CH 1-6	CH 7-12	CH 7-12



DMX Mode 4 : 12-channel operation
(Control 2 sets of 4 *krypton* LED clusters)

CH 7-12	CH 7-12	CH 7-12	CH 7-12
CH 1-6	CH 1-6	CH 1-6	CH 1-6



DMX Mode 8 : 6-channel operation
(Control all 8 *krypton* LED clusters in unison)

CH 1-6	CH 1-6	CH 1-6	CH 1-6
CH 1-6	CH 1-6	CH 1-6	CH 1-6