



KEY FEATURES

- (4) 100W RGBMA LED Array
- 10,300 Total Fixture Lumen Output (Sphere)
- Full Pixel Control
- Integrated Lens and Accessory Slots
- Art-Net & sACN Support
- Integrated L Track for Flexible Mounting
- End-to-End Magnetic Alignment System
- NFC & Aria x2 Wireless Device Management
- IP65 Rated

Delivering rich, full-spectrum color and over 10,300 lumens of output, the **KL BATTEN 12** brings natural, full-spectrum light to stages, studios, and the outdoors—all in a compact, durable design.

Built for designers who demand professional color and powerful output, the **KL BATTEN 12** provides homogeneous, true-to-life color via RGBMA LED engine with high CRI that's natural on camera and on stage, producing a smooth, even field.

An IP-65 rating means it can be used nearly anywhere. Its quiet operation, intuitive control, and flexible mounting options make it a versatile, reliable, and colorful addition to any rig.





4x100W RGBMA LEDs IP65 Batten

SPECIFICATIONS

SOURCE

(4) x 100W RGBMA LEDs
30,000 Hour Average LED Life*

*May vary depending on several factors including but not limited to: Environmental Conditions, Power/Voltage, Usage Patterns (On-Off Cycling), Control and Dimming.

PHOTOMETRIC DATA

Total Lumen Output:
10,300 (Integrating Sphere)
CRI- 94.9
TLCI- 95
Beam Angle: 22° x 20°
Field Angle: 44° x 42°

EFFECTS

Full Pixel Control
Electronic Dimmer and Strobe
Variable 16-bit Dimming Modes and Curves

COLOR

RGBMA Color Array
CMY Emulation
16bit Fully Variable CCT 2400K - 8500K
Green/Magenta Shift
Dim-to-Warm Fade
Virtual Gel Swatch Book

CONTROL / CONNECTIONS

22 DMX Channel Modes (1ch, 3ch-A, 4ch-A, 4ch-B, 3ch-B, 6ch-A, 10ch, 14ch, 22ch, 16ch-A, 6ch-B, 8ch, 6ch-C, 20ch-A, 20ch-B, 35ch, 12ch-A, 16ch-B, 12ch-B, 40ch, 32ch, 61ch)
4 Button Control Panel, Color LED Display
RDM (Remote Device Management)
Aria x2 Wireless Device Management
NFC Configuration
IP65 5pin XLR DMX In/Out
IP65 RJ45 Ethernet In/Out (Art-Net & sACN)
IP65 Locking Power Cable In/Out

SIZE / WEIGHT

Length: 12.6" (321mm)
Width: 7.2" (184mm)
Vertical Height: 9.4" (239mm)
Vertical Height (Low Clearance): 8.6" (219mm)
Weight: 14.7 lbs / 6.7kg

ELECTRICAL / THERMAL

AC 100-240V - 50/60Hz
200W Max Power Consumption
Power Thru Capacity: 10A (5 units @110V; 14 units @240V)
-40°F to 131°F (-40°C to 55°C)
BTU/hr (+/- 10%) 682

INCLUDED ITEMS

Glare Shield
Border Light Filter
Safety Cable
IP65 Locking Power Cable

OPTIONAL ITEMS

90deg Slotted Omega Bracket (OB-107-90B) (Qty.1)
L-Track to M10 Adapter, 70mm (LTR001)
L-Track to M10 Adapter, 44.5mm (LTR008)
L Track C-Clamp & Adapter Assembly, 70mm (LTR100)
L Track C-Clamp & Adapter Assembly, 44.5mm (LTR112)

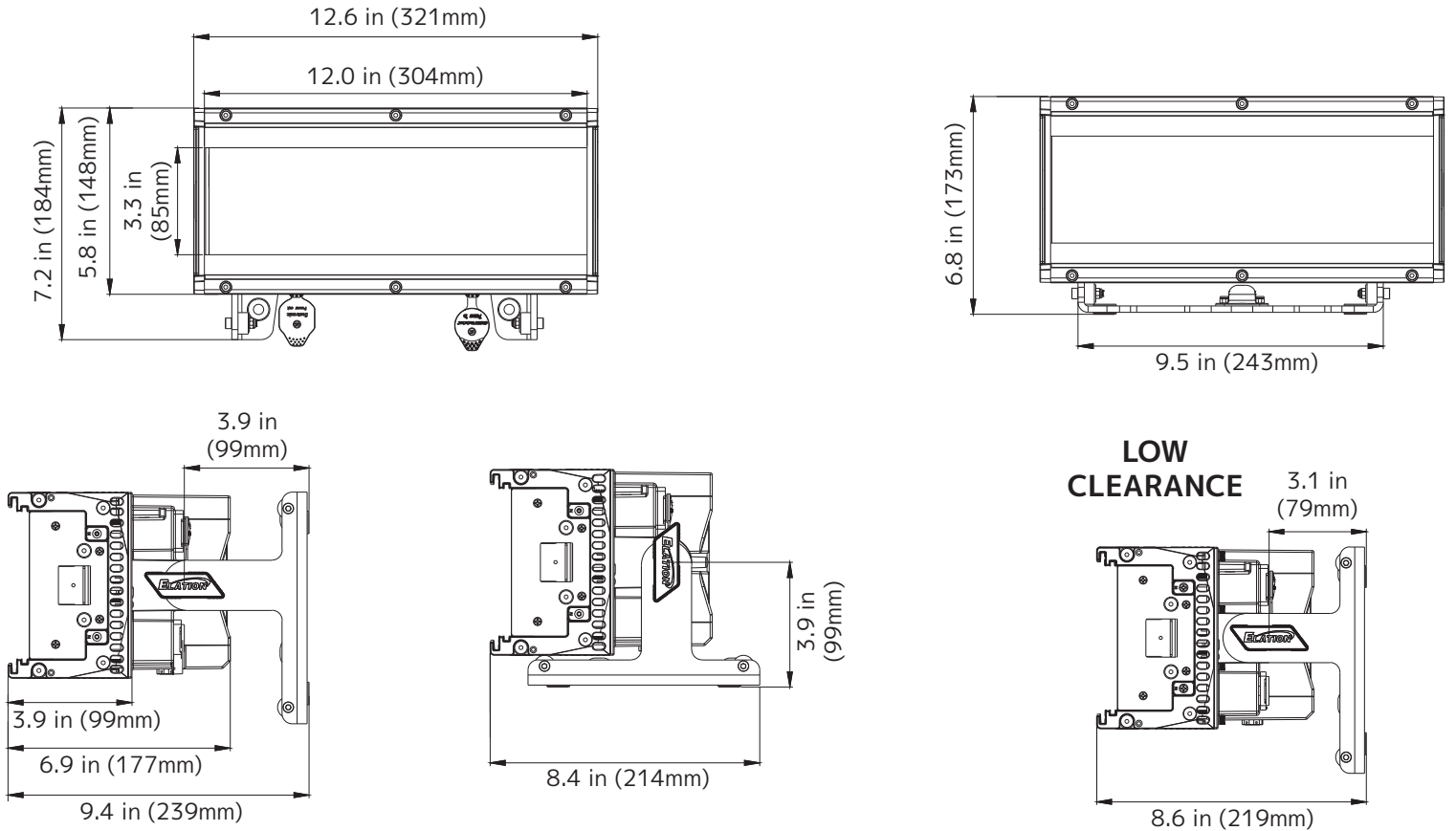
APPROVALS / RATINGS

TBD



4x100W RGBWA LEDs IP65 Batten

UNIT DIMENSIONS



ORDERING INFORMATION

SKU (US)	SKU (EU)	DESCRIPTION
KLB112	TBD	KL Batten 12
OB-107-90B	TBD	90deg Slotted Omega Bracket
LTR001	1744000021	L-Track to M10 Adapter, 70mm
LTR008	1744000022	L-Track to M10 Adapter, 44.5mm
LTR100	1744000023	L-Track C-Clamp & Adapter Assembly, 70mm
LTR112	1744000025	L Track C-Clamp & Adapter Assembly, 44.5mm