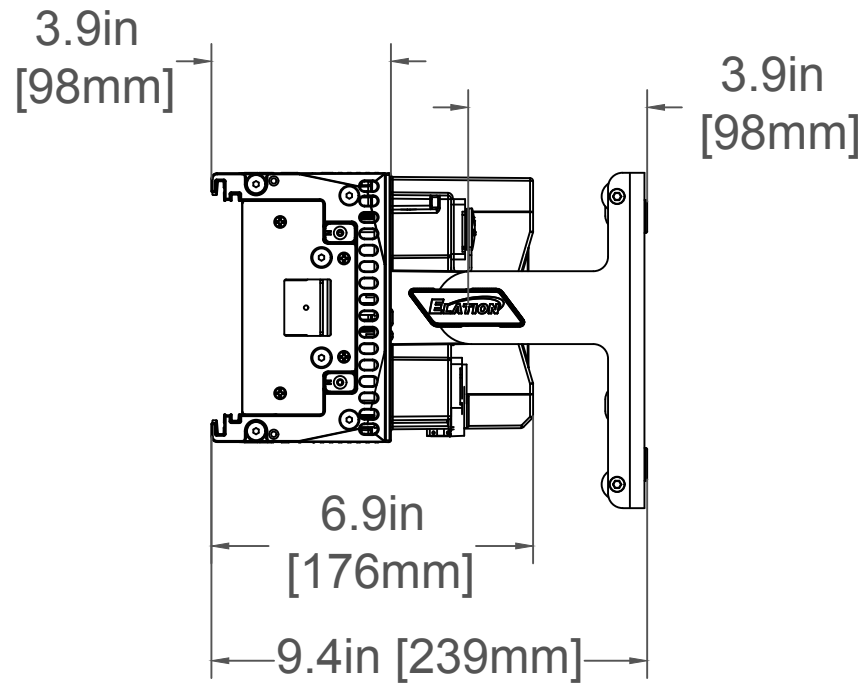
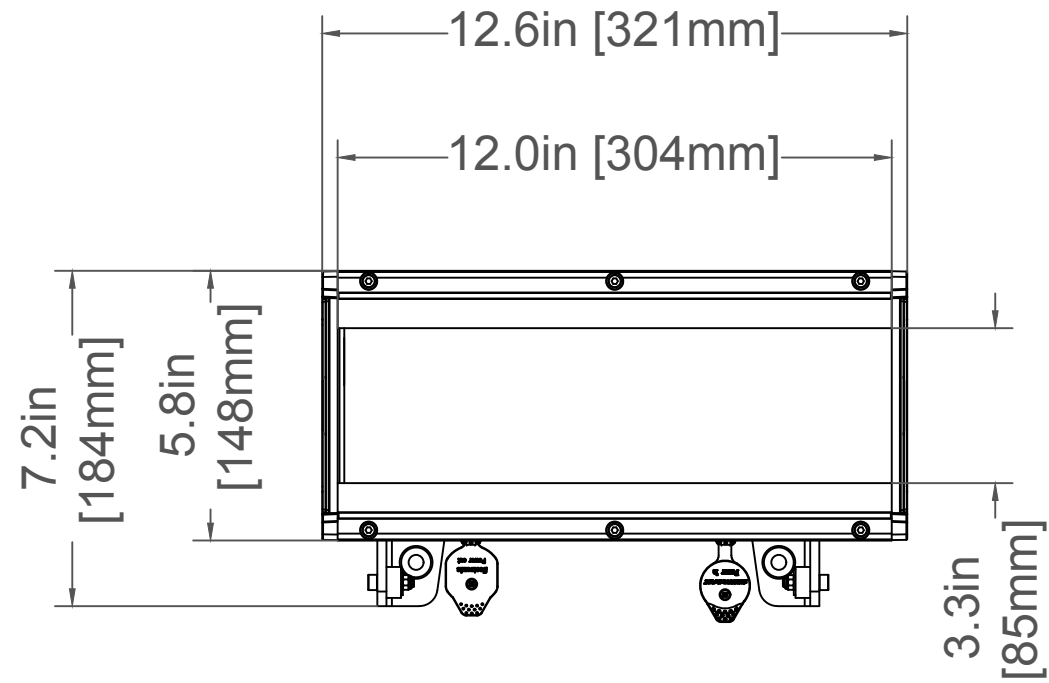
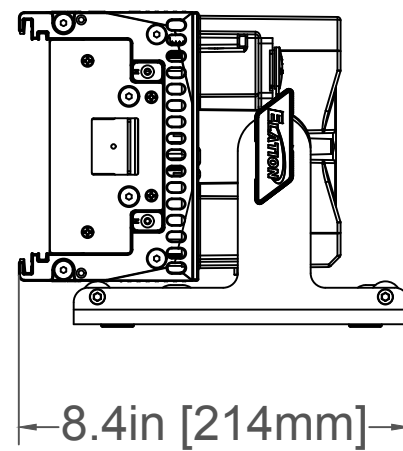
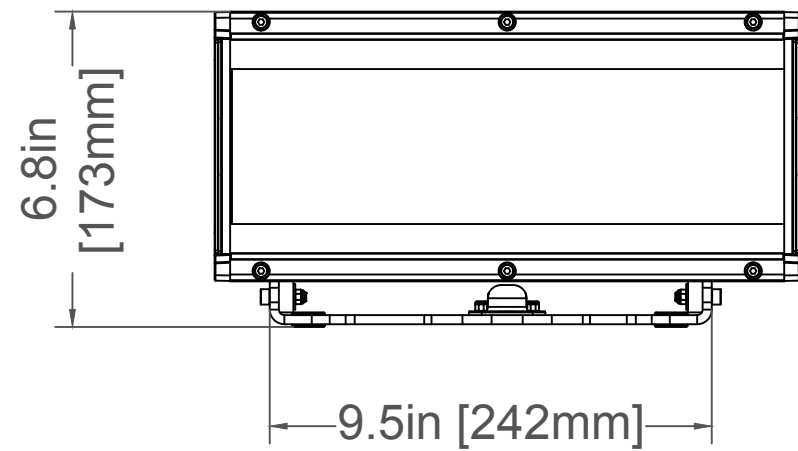
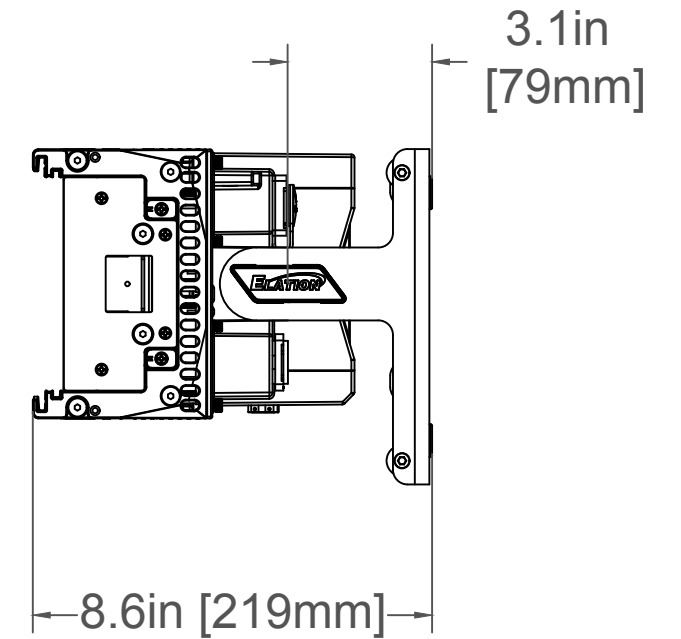


©ELATION all rights reserved. Information contained within this drawing is proprietary and confidential. Any reproduction and/or distribution of any part of this drawing without the written consent of Elation Professional is strictly prohibited. Diagrams and/or measurements herein subject to change without notice.



### LOW CLEARANCE CONFIGURATION



**ELATION**

TITLE: Elation KL Batten 12		DATE: 2026-04-15	
SCALE: NONE	TOL: ±	.XX(.X) -	.XXX(.XX) -
		ANGLE: -	