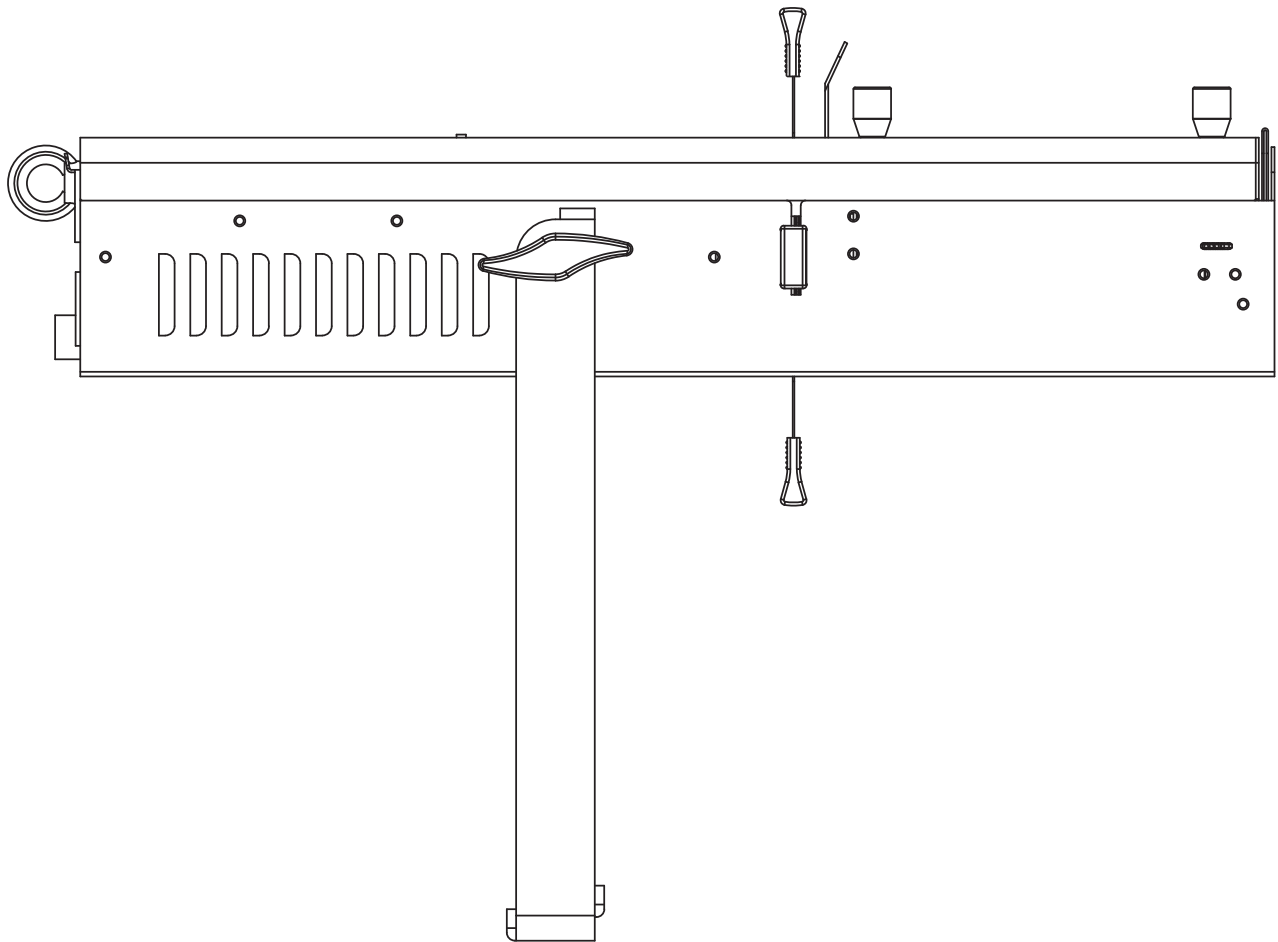


# ELIMINATOR<sup>®</sup>

LIGHTING



## IKON PROFILE PLUS

User Manual

©2026 **Eliminator Lighting** all rights reserved. Information, specifications, diagrams, images, and instructions herein are subject to change without notice. Eliminator logo and identifying product names and numbers herein are trademarks of Eliminator Lighting. Copyright protection claimed includes all forms and matters of copyrightable materials and information now allowed by statutory or judicial law or hereinafter granted. Product names used in this document may be trademarks or registered trademarks of their respective companies and are hereby acknowledged. All non-Eliminator brands and product names are trademarks or registered trademarks of their respective companies.

**Eliminator Lighting** and all affiliated companies hereby disclaim any and all liabilities for property, equipment, building, and electrical damages, injuries to any persons, and direct or indirect economic loss associated with the use or reliance of any information contained within this document, and/or as a result of the improper, unsafe, insufficient and negligent assembly, installation, rigging, and operation of this product.

### **Eliminator Lighting**

6122 S. Eastern Ave. Los Angeles, CA. 90040  
323-582-2650 | [www.adj.com](http://www.adj.com) | [info@adj.com](mailto:info@adj.com)

### **ADJ SUPPLY Europe B.V**

Junostraat 2 6468 EW Kerkrade, The Netherlands  
+31 (0)45 546 85 00 | [www.adj.eu](http://www.adj.eu) | [info@adj.eu](mailto:info@adj.eu)

### **ADJ PRODUCTS GROUP Mexico**

AV Santa Ana 30 Parque Industrial Lerma, Lerma, Mexico 52000  
+52 (728) 282-7070

## **DOCUMENT VERSION**



Due to additional product features and/or enhancements, and updated version of this document may be available online.

Please check [www.adj.com](http://www.adj.com) for the latest revision/update of this manual before beginning installation and/or programming.

Date	Document Version	Software Version >	DMX Channel Mode	Notes
10/12/23	1.0	1.00	3 / 4 Ch	Initial release
01/04/24	1.1	N/C	No Change	Added Battery Warnings
03/29/24	1.2	N/C	No Change	Updated Dimensional Drawing, Specifications
05/20/26	1.3	N/C	No Change	Update Specifications

# CONTENTS

<b>General Information</b>	<b>4</b>
<b>Limited Warranty (USA Only)</b>	<b>5</b>
<b>Warranty Registration   Features</b>	<b>6</b>
<b>Safety Guidelines</b>	<b>7</b>
<b>Battery Warnings</b>	<b>8</b>
<b>Overview</b>	<b>9</b>
<b>Installation Guidelines</b>	<b>10</b>
<b>System Menu</b>	<b>13</b>
<b>Operating Instructions</b>	<b>14</b>
<b>Primary Secondary Configuration</b>	<b>17</b>
<b>Remote Operation</b>	<b>18</b>
<b>DMX Setup</b>	<b>19</b>
<b>DMX Traits</b>	<b>22</b>
<b>Gobo Replacement   Adding a Color Gel</b>	<b>23</b>
<b>Photometric Chart   Gobos   Fuse Replacement</b>	<b>24</b>
<b>Power Linking   Trouble Shooting   Cleaning</b>	<b>25</b>
<b>Dimensional Drawings</b>	<b>26</b>
<b>Specifications</b>	<b>27</b>
<b>FCC Statement</b>	<b>28</b>

# GENERAL INFORMATION

## INTRODUCTION

Please read and understand the instructions in this manual carefully and thoroughly before attempting to operate this device. These instructions contain important safety and use information.

**This product is intended for use by professionally trained personnel only, and is not suitable for private use.**

## Unpacking

Every device has been thoroughly tested and has been shipped in perfect operating condition. Carefully check the shipping carton for damage that may have occurred during shipping. If the carton is damaged, carefully inspect the device for damage, and be sure all accessories necessary to install and operate the device have arrived intact. In the event damage has been found or parts are missing, please contact our customer support team for further instructions. Please do not return this device to your dealer without first contacting customer support. Please do not discard the shipping carton in the trash. Please recycle whenever possible.

**Parts:** To purchase parts online visit:

<http://parts.adj.com> (US)

<http://www.adjparts.eu> (EU)

**ADJ SERVICE USA** - Monday - Friday 8:00am to 4:30pm PST

Voice: 800-322-6337 | [support@adj.com](mailto:support@adj.com)

**ADJ SERVICE EUROPE** - Monday - Friday 08:30 to 17:00 CET

Voice: +31 45 546 85 60 | [support@adj.eu](mailto:support@adj.eu)

## ADJ PRODUCTS LLC USA

6122 S. Eastern Ave. Los Angeles, CA. 90040

323-582-2650 | [www.adj.com](http://www.adj.com) | [info@adj.com](mailto:info@adj.com)

## ADJ SUPPLY Europe B.V

Junostraat 2 6468 EW Kerkrade, The Netherlands

+31 (0)45 546 85 00 | [www.adj.eu](http://www.adj.eu) | [info@adj.eu](mailto:info@adj.eu)

## ADJ PRODUCTS GROUP Mexico

AV Santa Ana 30 Parque Industrial Lerma, Lerma, Mexico 52000

+52 (728) 282-7070

## LIMITED WARRANTY

For up-to-date warranty information regarding your device, please visit ADJ's warranty information page online or scan the QR codes below.



**USA:** <https://www.adj.com/pages/warranty-information>



**EU:** [https://www.adj.eu/terms\\_and\\_conditions](https://www.adj.eu/terms_and_conditions)

It is strongly recommended to power the fixture down completely when not in use. Doing so will reduce wear on the fixture due to sustained or extended operational periods, thereby maximizing its operational lifespan.

# FEATURES

The Eliminator Lighting Ikon Profile Plus is a compact, high-power GOBO projector designed to deliver bright, crisp, and versatile projections without the cost of larger professional fixtures. Powered by a 40W white LED engine at 9500K, the unit produces a powerful, optimized beam that makes textured glass GOBO projections stand out with excellent clarity and richness. Its manually adjustable four-blade framing shutters allow users to shape the output into precise squares, rectangles, or custom four-sided forms, making it ideal for highlighting architectural details, stage elements, or specific areas within a venue.

The Ikon Profile Plus offers extensive manual control, including a variable beam angle from 15° to 40° and smooth manual focus, enabling it to function effectively as both a dedicated GOBO projector and a versatile spotlight. Five selectable dimmer curves optimize performance across architectural, theatrical, and stage applications. A drop-in GOBO slot accepts standard 26.8mm metal or glass GOBOs, while a built-in color frame allows the addition of color filters or color correction gels. Control options include 4-channel DMX, the included UC IR wireless remote (up to 30 ft range), and Aria X2 BLE app control for convenient wireless operation from a smartphone or tablet.

Engineered for reliability in demanding environments, the Ikon Profile Plus features low heat output and no duty cycle, allowing continuous operation for extended events. Power can be daisy-chained to up to 14 units at 120V (or 24 units at 230V), making it highly effective when used in multiples for larger installations. An included yoke supports flexible mounting on trussing, walls, or floors. The fixture is well-suited for houses of worship, nightclubs, bars, stage productions, and retail environments where powerful, adaptable GOBO and framing effects are required in a compact, cost-effective package.

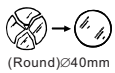
## KEY FEATURES

- 40W White LED (9500K)
- Textured Glass GOBO Included
- Drop-in GOBO Slot (26.8mm – Accepts Metal or Glass GOBOs)
- Manual 4-Blade Framing Shutters
- Adjustable Beam Angle: 15° – 40°
- Manual Focus
- 5 Selectable Dimmer Curves
- 4 DMX Channels
- UC IR Wireless Remote Control (up to 30 ft)
- Aria X2 BLE App Control
- Color Frame Slot for Filters and Color Correction
- Power Daisy-Chain: Up to 14 units @ 120V (24 units @ 230V)
- No Duty Cycle – Continuous Operation
- Includes Mounting Yoke

# SAFETY GUIDELINES

**Safety Issue:** This unit may blow the fuse if the maximum current rating of the fuse is reached or exceeded. Please see the section of this manual for **Fuse Replacement** for detailed directions regarding replacement of the fuse.

- Be sure the voltage of the power source matches the required voltage of the unit.
- Disconnect from main power before making any type of connection.
- Do not remove the cover for any reason. There are no user serviceable parts inside.
- Always be sure to mount this unit in an area that will allow proper ventilation. Allow approximately 6.8' (2.1 meters) between this device and a wall.
- To reduce the risk of electrical shock or fire, do not expose this unit to rain or moisture.
- This unit is intended for indoor use only. Use of this product outdoors voids all warranties.
- During long periods of non-use, disconnect the unit from power.
- Always mount this unit in safe and stable matter.
- Power Cord Protection - Power-supply cords should be routed so that they are not likely to be walked on or pinched by items placed upon or against them, paying particular attention to cords at plugs, convenience receptacles, and the point where they exit from the fixture.
- Do not attempt to remove or break off the ground prong from the electrical cord. This prong is used to reduce the risk of electrical shock and fire in case of an internal short.
- A safety cable of the appropriate weight rating should always be used when this fixture is installed in a suspended location.
- The fixture should be serviced by qualified service personnel when:
  - A. The power cord or the plug has been damaged.
  - B. Objects have fallen, or liquid has been spilled into, the appliance.
  - C. The appliance has been exposed to rain or water.
  - D. The fixture does not appear to operate normally or exhibits a marked change in performance.



Replace shields, lenses or ultraviolet screens if they have become visibly damaged to such an extent that their effectiveness is impaired, for example by cracks or deep scratches. The light source shall be changed if it has become damaged or thermally deformed. The light source contained in this luminaire shall only be replaced by the manufacture or his service agent or a similar qualified person. The luminaire is intended for professional use only.



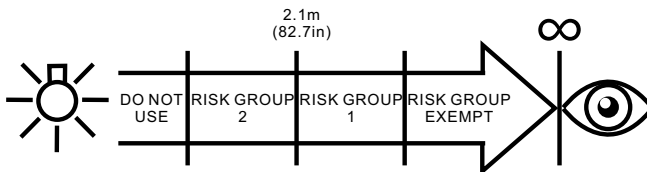
Caution, risk of electric shock.

If the external flexible cable or cord of this luminaire is damaged, it shall be exclusively replaced by the manufacturer or his service agent or a similar qualified person in order to avoid a hazard. Reinforced insulation was maintained between LV supply and DMX dimming control circuit.  
- No insulation was maintained between SELV circuit and DMX dimming control circuit.



**WARNING:**

Caution! DO NOT stare into the beam, RG2



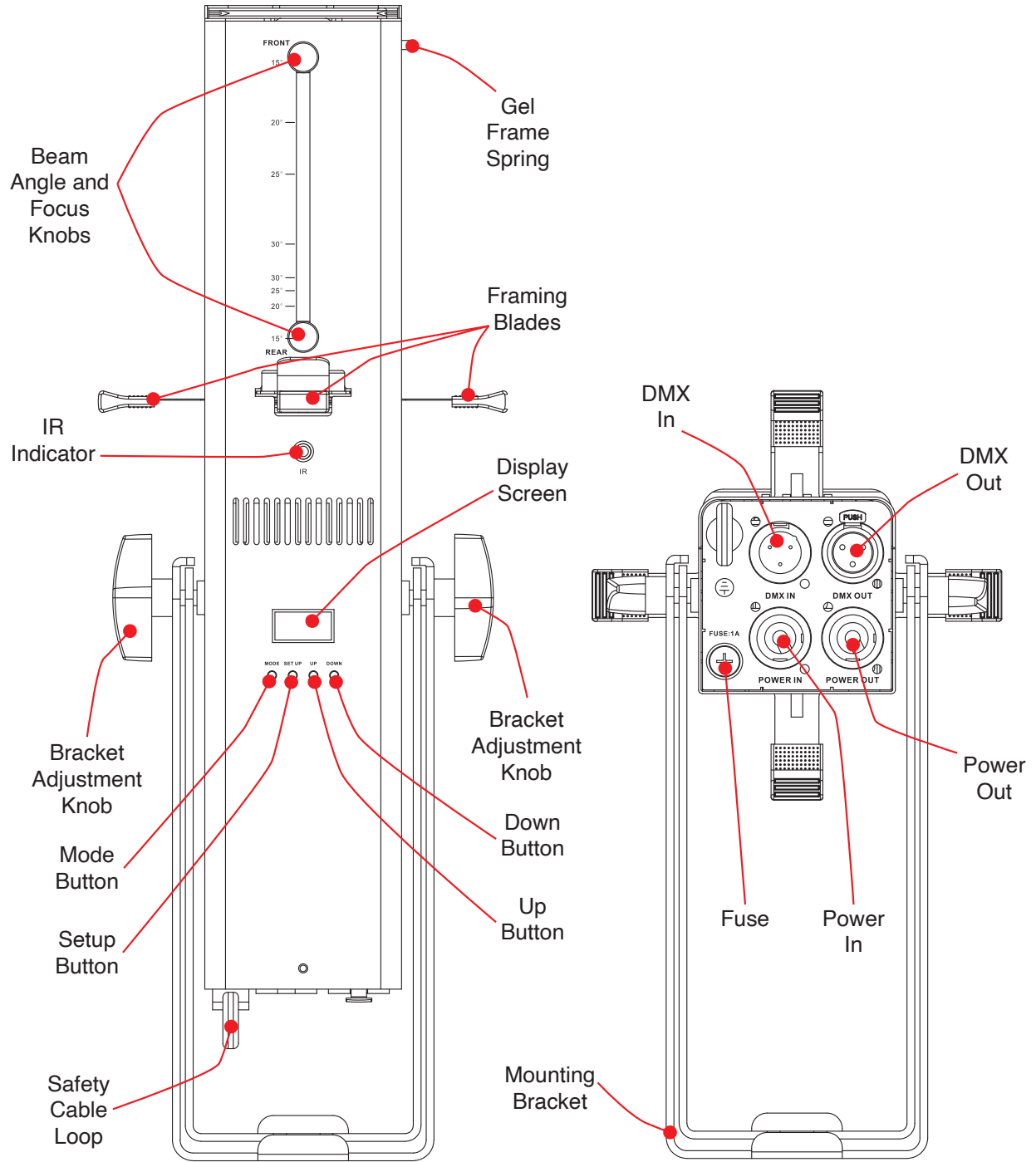
The luminaire should be positioned so that prolonged staring into the luminaire at a distance closer than 2.1 m is not expected.

Backup-restraint string should be used: made of steel, min. diameter 2.5mm.

# BATTERY WARNINGS

- Remove and immediately recycle or dispose of used batteries according to local regulations. Do NOT dispose of batteries in household trash or incinerate.
- Keep batteries away from children, including after disposal.
- Even used batteries may cause severe injury or death.
- Contact a local poison control center for treatment information.
- This product contains a type CR2025 3V button cell.
- Do not recharge button cells. These batteries are not designed to be recharged, and doing so may create a risk of damage or personal injury.
- Do not force batteries to discharge or recharge, disassemble, heat above 60°C, or incinerate. Doing so may result in injury due to venting, leakage, or explosion, resulting in chemical burns.
- Ensure the batteries are installed correctly according to polarity (+ and -).
- Do not mix old and new batteries, different brands, or different types of batteries, such as alkaline, carbon-zinc, or rechargeable batteries.
- Remove and immediately recycle or dispose of batteries from equipment that has not been used for an extended period of time. Always dispose of batteries according to local regulations.
- Always completely secure the battery compartment. If the battery compartment does not close securely, stop using the product, remove the batteries, and keep them away from children.

# OVERVIEW



# INSTALLATION GUIDELINES



## **ELECTRICAL CONNECTIONS**

**A qualified electrician should be used for all electrical connections and/or installations.**

### **DO NOT INSTALL THE FIXTURE IF YOU ARE NOT QUALIFIED TO DO SO!**

Fixture **MUST** be installed following all local, national, and country commercial electrical and construction codes and regulations. Before rigging/mounting the fixture to any metal truss/structure or placing the fixture on any surface, a professional equipment installer **MUST** be consulted to determine if the metal truss/structure or surface is properly certified to safely hold the combined weight of the fixture, clamps, cables, and accessories.

Overhead fixture installation must always be secured with a secondary safety attachment, such as an appropriately rated safety cable that meets all local, national, and country codes and regulations.

Fixture should be installed away from walking paths, seating areas, or areas where unauthorized personnel might reach the fixture by hand.

**NEVER** stand directly below the fixture when rigging, removing, or servicing.

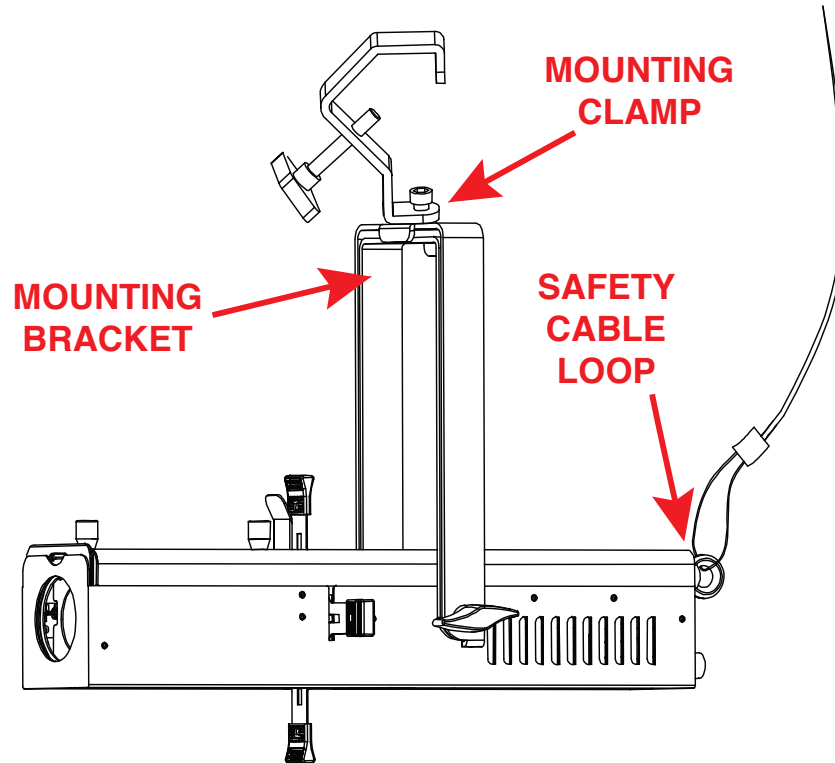
Allow approximately 15-minutes for the fixture to cool down before servicing.

The unit should be mounted using a mounting clamp (not provided), and affixing it to the mounting bracket that is provided with the unit. Always ensure that the unit is firmly fixed to avoid vibration and slipping during operation. Always ensure that the structure that you are attaching the unit to is secure and is able to support at least 10 times the unit's weight. Also, always use a safety cable that can hold 12 times the unit's weight when installing the fixture. The equipment must be installed by a professional, and it must be installed in a place where it is out of the reach of people's grasp.

# INSTALLATION GUIDELINES

## CLAMP INSTALLATION

This device features an attachment point for a mounting clamp located on the top of the mounting bracket, as well as a loop for a safety cable located on the rear panel (see illustration below). When mounting the fixture to a truss or any other suspended or overhead installation, align the hole on an appropriately rated clamp (not included) with the hole on the fixture's bracket, then insert a bolt of the appropriate size and rating through the hole and secure in place with an appropriately rated nut. Attached a SAFETY CABLE of the appropriate rating to the provided attachment loop.



**ALWAYS ATTACH A SAFETY CABLE WHENEVER INSTALLING THIS FIXTURE IN A SUSPENDED ENVIRONMENT TO ENSURE THAT THE FIXTURE WILL NOT FALL IN THE EVENT THAT THE CLAMP FAILS.**

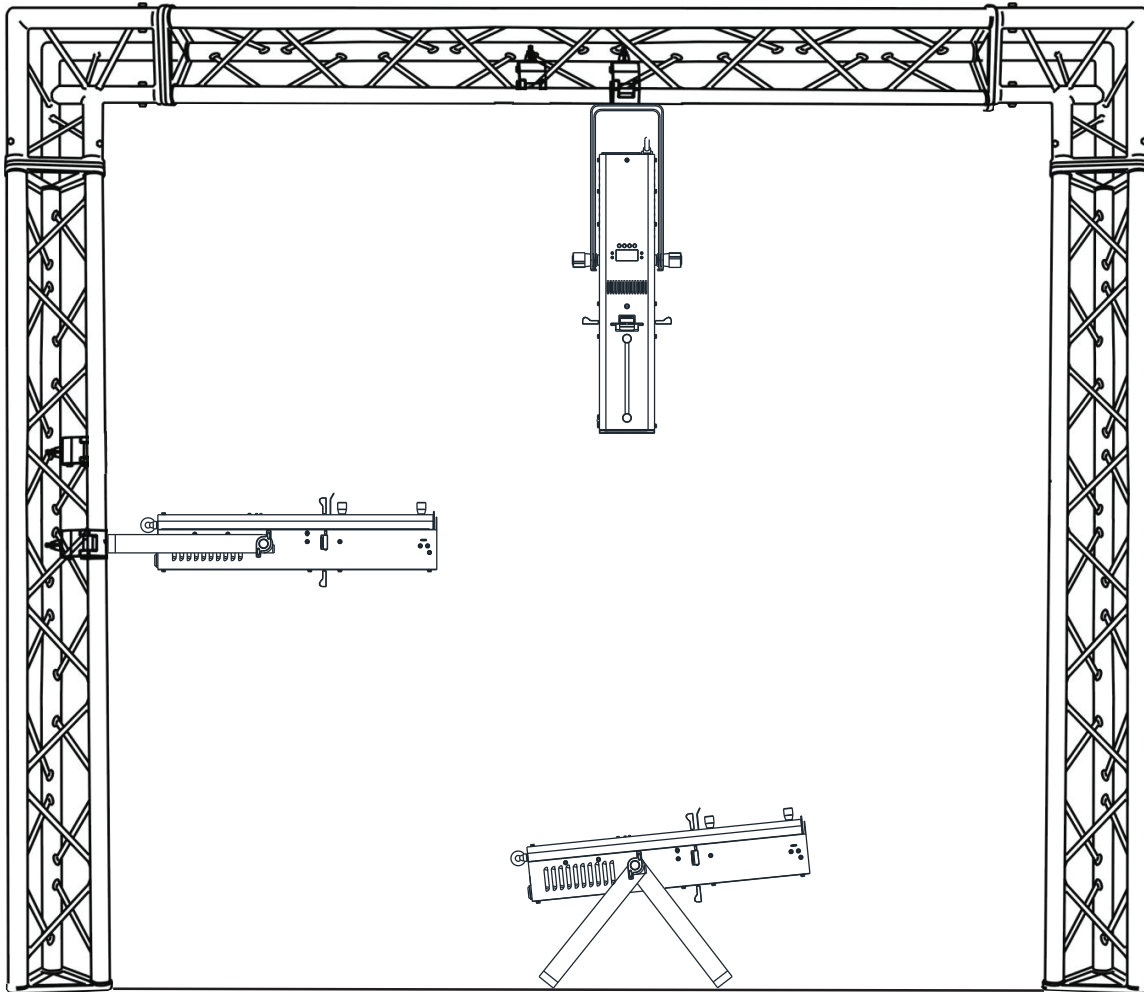
## RIGGING

Overhead rigging requires extensive experience, including but not limited to: calculating working load limits, understanding the installation material being used, and periodic safety inspection of all installation material and the fixture itself. If you lack these qualifications, do not attempt to perform the installation yourself. Improper installation can result in bodily injury.

# INSTALLATION GUIDELINES

## FIXTURE INSTALLATION

This device is fully operational in three different mounting positions: hanging upside-down, mounted sideways on trussing, or set on a flat level surface. Be sure this fixture is kept at least 0.2m (7.9in.) away from any flammable materials (decoration etc.). Always use and install the supplied safety cable as a safety measure to prevent accidental damage and/or injury in the event the clamp fails. Never use the carrying handles for secondary attachment.



**FALLING FIXTURES CAN CAUSE SEVERE INJURY OR SERIOUS EQUIPMENT DAMAGE! FOR THIS REASON, FIXTURES SHOULD BE INSTALLED AND INSPECTED ONLY BY QUALIFIED PERSONNEL. DO NOT INSTALL THE UNIT IF YOU LACK THE QUALIFICATIONS TO DO SO, OR IF YOU HAVE DOUBTS ABOUT THE SAFETY AND SECURITY OF THE INSTALLATION SETUP OR LOCATION!**



**ALWAYS ATTACH A SAFETY CABLE WHENEVER INSTALLING THIS FIXTURE IN A SUSPENDED ENVIRONMENT TO ENSURE THE FIXTURE WILL NOT FALL IF THE CLAMP FAILS.**

# SYSTEM MENU

MAIN MENU	OPTIONS / VALUES (Default Settings in <b>BOLD</b> )			DESCRIPTION	
DMX Settings	DMX Address	<b>001</b> - 512		Set DMX address	
	Channel Mode	3Ch		Select DMX channel mode	
		<b>4Ch</b>			
	Blackout / Hold / Pri Sec	Black Out		Fixture takes all channels to zero when DMX signal is lost or interrupted	
<b>Hold</b>		Fixture holds most recent settings when DMX signal is lost or interrupted			
Pri Sec		Fixture default to primary-secondary mode when DMX signal is lost or interrupted			
Personality	Pri Sec Mode	<b>Primary</b> / Secondary		Set unit as a primary or a secondary unit	
	Dimmer Mode	<b>Standard</b>		Select dimmer mode	
		Stage			
		TV			
		Architectural			
		Theatre			
	IR	<b>On</b> / Off		Activate or deactivate remote control function	
		Display	Saver Delay	Off, <b>1 - 10sec</b>	Display goes into screen saver mode after selected period of inactivity
	Screen Lock		<b>Off</b> - 30sec, 1 - 10min		Display controls lock after selected period of inactivity; to unlock, press and hold the MODE button for 3 seconds
	Rotate		<b>dISP</b>		Standard display orientation
dSIP		Inverted display orientation			
Temperature Unit	C / F		Set temperature display units		
Service	Passcode = 011	Factory Restore	<b>Yes / No</b>	Reset unit to default factory settings	
Manual Control	Dimmer	<b>000</b> - 255		Manually adjust dimmer	
	Strobe	<b>000</b> - 255		Manually adjust strobing	
Information	Fixture Life Time Hours	xxxxx		Hours fixture has been powered on	
	LED Usage Time	xxxxx		Hours LED has been powered on	
	Firmware Version	Vx.x		Display current software version	

# OPERATING INSTRUCTIONS

**On-Board System Menu.** This device features an easy to navigate system menu, with the functions of each command in the system menu detailed below. Please read the next section thoroughly!

To access the main menu press the **MODE** button, then press the UP or **DOWN** buttons until you reach the function you wish to change. Press the **SETUP** button to confirm. When a function is selected, use the **UP** or **DOWN** buttons to change the function settings. Once your changes are made, press the **SETUP** button, and then press and hold the **MODE** button for at least three seconds to confirm and lock the change into the system memory. If the **MODE** button is not pressed and held within eight seconds, the fixture will automatically confirm and lock the change into the system memory. To exit without making any changes, press the **MODE** button.

## **DMX SETTINGS - DMX Address:**

1. Press the **MODE** button until “DMX Settings” is displayed, then press **SETUP**.
2. Use the **UP** and **DOWN** buttons to scroll to “DMX Address,” then press **SETUP**.
3. The current DMX address will now flash on the display screen. Press the **UP** or **DOWN** buttons to find your desired address. Press **SETUP** to set your desired DMX address.

**NOTE:** If the unit does not go into DMX mode after you connect your DMX controller, press and hold the **MODE** button for at least 3 seconds.

## **DMX SETTINGS - Channel Mode:**

1. Press the **MODE** button until “DMX Settings” is displayed, then press **SETUP**.
2. Use the **UP** and **DOWN** buttons to scroll to “Channel Mode,” then press **SETUP**.
3. The current DMX channel mode will now flash on the display screen. Press the **UP** or **DOWN** buttons to find your desired channel mode, then press **SETUP** to confirm.

**DMX SETTINGS - Black Out / Hold / Pri Sec (No DMX Setting):** This setting controls how the fixture will behave when the DMX signal is lost or interrupted.

1. Press the **MODE** button until “DMX Settings” is displayed, then press **SETUP**.
2. Use the **UP** and **DOWN** buttons to scroll until either “Black Out”, “Hold”, or “Pri Sec” is displayed. This setting control how the device will behave when the DMX signal is lost or interrupted, and the currently selected option will be displayed. Press **SETUP**.
3. Press the **UP** or **DOWN** buttons to scroll through the options, then press **SETUP** to confirm. The available options are as follows:
  - Black Out - takes all channels to zero.
  - Hold - holds most recent settings.
  - Pri Sec - defaults to primary/secondary mode.

## **PERSONALITY - Pri Sec:**

1. Press the **MODE** button until “Personality” is displayed, then press **SETUP**.
2. Use the **UP** and **DOWN** buttons to scroll to “Pri Sec Mode,” then press **SETUP**.
3. Press the **UP** or **DOWN** buttons to toggle between Primary and Secondary mode, then press **SETUP** to confirm your selection.

## **OPERATING INSTRUCTIONS**

### **PERSONALITY - Dimmer Mode:**

1. Press the **MODE** button until “Personality” is displayed, then press **SETUP**.
2. Use the **UP** and **DOWN** buttons to scroll to “Dimmer Mode,” then press **SETUP**.
3. Press the **UP** or **DOWN** buttons to scroll through the following options: Standard, Stage, TV, Architectural, Theatre, and Stage 2 (see the **Dim Curves** section of this manual for detailed information). Press **SETUP** to confirm the choice displayed on the screen.

### **PERSONALITY - IR: Use to activate or deactivate the remote control function.**

1. Press the **MODE** button until “Personality” is displayed, then press **SETUP**.
2. Use the **UP** and **DOWN** buttons to scroll to “IR,” then press **SETUP**.
3. Press the **UP** or **DOWN** buttons to toggle between On (remote control function activated) and Off (remote control function deactivated), then press **SETUP** to confirm your selection.

# OPERATING INSTRUCTIONS

## **PERSONALITY - Dimmer Mode:**

1. Press the **MODE** button until “Personality” is displayed, then press **SETUP**.
2. Use the **UP** and **DOWN** buttons to scroll to “Dimmer Mode,” then press **SETUP**.
3. Press the **UP** or **DOWN** buttons to scroll through the following options: Standard, Stage, TV, Architectural, Theatre, and Stage 2 (see the **Dim Curves** section of this manual for detailed information). Press **SETUP** to confirm the choice displayed on the screen.

## **PERSONALITY - IR: Use to activate or deactivate the remote control function.**

1. Press the **MODE** button until “Personality” is displayed, then press **SETUP**.
2. Use the **UP** and **DOWN** buttons to scroll to “IR,” then press **SETUP**.
3. Press the **UP** or **DOWN** buttons to toggle between On (remote control function activated) and Off (remote control function deactivated), then press **SETUP** to confirm your selection.

## **PERSONALITY - Display - Saver Delay: The unit’s display screen will go into screen saver mode after the unit is inactive for the selected period of time.**

1. Press the **MODE** button until “Personality” is displayed, then press **SETUP**.
2. Use the **UP** and **DOWN** buttons to scroll to “Display,” then press **SETUP**.
3. Use the **UP** and **DOWN** buttons to scroll to “Saver Delay”, then press **SETUP**.
4. Press the **UP** or **DOWN** buttons to set the amount of time the unit will be inactive before the screen goes into screen saver mode. Selectable options are “Off” or 1 to 10 seconds. Please note that when the “Off” option is selected, the screen will never go into screen saver mode.

## **PERSONALITY - Display - Screen Lock: The unit’s screen controls will lock after the unit is inactive for the selected period of time.**

1. Press the **MODE** button until “Personality” is displayed, then press **SETUP**.
2. Use the **UP** and **DOWN** buttons to scroll to “Display,” then press **SETUP**.
3. Use the **UP** and **DOWN** buttons to scroll to “Screen Lock”, then press **SETUP**.
4. Press the **UP** or **DOWN** buttons to set the amount of time the unit will be inactive before the screen controls lock. Selectable options are “Off”, 30 seconds, or 1 to 10 minutes. Please note that when the “Off” option is selected, the screen controls will never lock. To unlock the screen, press and hold the **MODE** button for 3 seconds.

## **PERSONALITY - Display - Rotate:**

1. Press the **MODE** button until “Personality” is displayed, then press **SETUP**.
2. Use the **UP** and **DOWN** buttons to scroll to “Display,” then press **SETUP**.
3. Use the **UP** and **DOWN** buttons to scroll to “Rotate”, then press **SETUP**.
4. Press the **UP** or **DOWN** buttons to toggle between “dISP” (normal display orientation) and “dSIP” (inverted display orientation). Press **SETUP** to confirm.

## **PERSONALITY - Temperature Unit:**

1. Press the **MODE** button until “Personality” is displayed, then press **SETUP**.
2. Use the **UP** and **DOWN** buttons to scroll to “Temperature Display,” then press **SETUP**.
3. Use the **UP** and **DOWN** buttons to scroll to toggle between C and F, then press **SETUP** to confirm your selection.
4. Use the **UP** and **DOWN** buttons to scroll to the desired dimmer setting. Selectable values range from 000 to 255. Press **SETUP** to confirm your selection.

# OPERATING INSTRUCTIONS

## **PERSONALITY - Service: Use this setting to restore the unit to factory settings.**

1. Press the **MODE** button until “Personality” is displayed, then press **SETUP**.
2. Use the **UP** and **DOWN** buttons to scroll to “Service,” then press **SETUP**.
3. Use the **UP** and **DOWN** buttons to key in the password (011 by default), then press **SETUP** to confirm.
4. When the screen displays “Factory Restore”, press **SETUP** to enter the sub-menu.
5. Use the **UP** and **DOWN** buttons to toggle between “Yes” and “No”. “Yes” resets all unit settings to factory default, and “No” returns you to the previous menu without making any changes.

## **MANUAL CONTROL - Dimmer:**

Press the **MODE** button until “Manual Control” is displayed, then press **SETUP**.

Use the **UP** and **DOWN** buttons to scroll to “Dimmer,” then press **SETUP**.

Use the **UP** and **DOWN** buttons to scroll to the desired dimmer setting. Selectable values range from 000 to 255. Press **SETUP** to confirm your selection.

6. Use the **UP** and **DOWN** buttons to scroll to the desired dimmer setting. Selectable values range from 000 to 255. Press **SETUP** to confirm your selection.

## **MANUAL CONTROL - Strobe:**

1. Press the **MODE** button until “Manual Control” is displayed, then press **SETUP**.

2. Use the **UP** and **DOWN** buttons to scroll to “Strobe,” then press **SETUP**.

3. Use the **UP** and **DOWN** buttons to scroll to the desired strobe setting. Selectable values range from 000 to 255. Press **SETUP** to confirm your selection.

## **INFORMATION - Fixture Life Hours: Displays the number of hours the device has been powered on during its entire lifetime.**

1. Press the **MODE** button until “Information” is displayed, then press **SETUP**.

2. Use the **UP** and **DOWN** buttons to scroll to “Fixture Life Hours,” then press **SETUP**. The screen will now show the number of hours the device has been powered on during its entire lifetime.

3. Press **SETUP** to return to the previous menu.

## **INFORMATION - LED Usage Time: Displays the number of hours the LED has been powered on.**

1. Press the **MODE** button until “Information” is displayed, then press **SETUP**.

2. Use the **UP** and **DOWN** buttons to scroll to “LED Usage Time,” then press **SETUP**. The screen will now show the number of hours the LED has been powered on.

3. Press **SETUP** to return to the previous menu.

## **INFORMATION - Firmware Version:**

1. Press the **MODE** button until “Information” is displayed, then press **SETUP**.

2. Use the **UP** and **DOWN** buttons to scroll to “Firmware Version,” then press **SETUP**. The screen will now show the current software version of the fixture.

3. Press **SETUP** to return to the previous menu.

# PRIMARY-SECONDARY CONFIGURATION

This function allows you to link units together to run in a Primary-Secondary set-up, in which one unit will act as the controlling unit and the others will react to the controlling unit's built-in programs. Any unit can be configured to act as a Primary or as a Secondary, but only one unit in a given system can be programmed to act as the Primary.

## Primary-Secondary Connections and Settings:

1. Daisy chain your units via the XLR connectors on the rear panels of each unit. Use standard XLR data cables to link your units together. Remember that the male XLR connector is the input and the female XLR connector is the output. The first unit in the chain (primary) will use the female XLR connector only. The last unit in the chain will use the male XLR connector only.
2. For the unit that will be set as the primary, press the **MODE** button to navigate to Personality > Pri Sec Mode, then press **SETUP**. Use the **UP** and **DOWN** buttons to toggle this setting to "Primary", then press **SETUP** to confirm. Finally, set the unit to the desired operational mode.
3. For any unit(s) that will be set up as a secondary, press the **MODE** button to navigate to Personality > Pri Sec Mode, then press **SETUP**. Use the **UP** and **DOWN** buttons to toggle this setting to "Secondary", then press **SETUP** to confirm. The unit should now follow the primary unit.
4. Make sure that only one unit is designated as the Primary, while all other units are designated as Secondaries.

# REMOTE OPERATION

The **UC IR** remote (sold separately) has many different functions and allows you to control your device at a distance of up to 30 ft.

**STAND BY** - This button blacks out the fixture.

**FULL ON** - This button has no valid function for this fixture.

**STROBE** - Press and hold this button to activate strobing.

**FADE/GOBO** - This button has no valid function for this fixture.

**“DIMMER +” and “DIMMER -”** - Use these buttons to adjust the output intensity.

**1-9** - These buttons have no valid function for this fixture.

**SOUND ON & OFF** - These buttons have no valid function for this fixture.

**SHOW** - This button has no valid function for this fixture.

## WIRELESS DMX INSTALLATION GUIDELINES

For best results, position the fixture so that the display screen is oriented in the direction of the transmitter device or remote.

Wireless signal can penetrate walls, glass, metal, and most objects. However, there are many factors that can effect and/or interrupt the wireless signal, including the presence of people. Therefore, it is highly recommended to position the wireless antenna a minimum of 9.8ft (3m) above audiences to ensure optimum and reliable wireless operation.

# DMX SETUP

## DMX-512

DMX is short for Digital Multiplex. It is a universal protocol used for communication between intelligent lighting fixtures and controllers. A DMX controller sends data instructions from the controller to the fixture. DMX data is transmitted as serial data that travels from fixture to fixture via the DMX “IN” and DMX “OUT” connectors.

## DMX Linking

DMX allows fixtures of different makes and models to be linked together and operated from a single controller, as long as all fixtures and the controller are DMX compliant. To ensure proper data transmission, use the shortest possible cable runs when linking multiple fixtures. The physical order of the fixtures in the DMX chain does not affect addressing. A fixture assigned a DMX address of 1 can be placed anywhere in the chain.

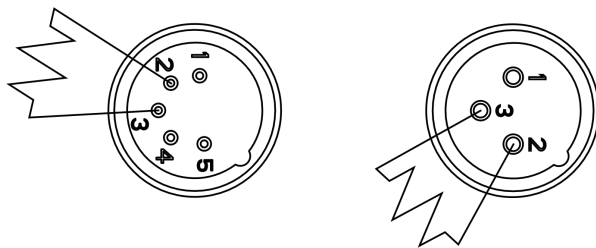
## Data Cable Requirements

The Ikon Profile Plus can be controlled using the DMX-512 protocol and features two DMX channel modes. This fixture uses locking 3-pin XLR connectors for DMX input and output. Use high-quality shielded DMX cables rated at 110–120 ohms. Cables should have a male XLR connector on one end and a female XLR connector on the other. DMX cables must be daisy-chained and cannot be split.



## Line Termination

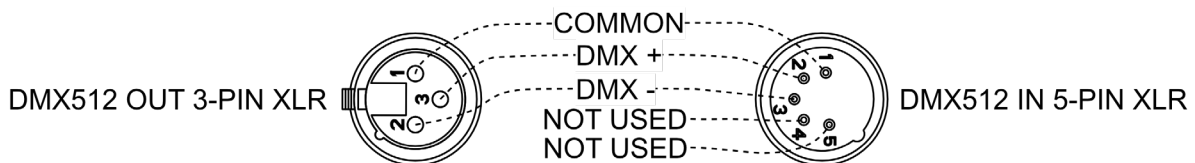
When using long cable runs, a terminator may be required on the last fixture in the chain to prevent erratic behavior. A terminator is a 110–120 ohm, 1/4 watt resistor connected between pins 2 and 3 of a male XLR connector. Using an ADJ terminator (part number Z-DMX/T) is recommended.



A DMX512 terminator reduces signal errors, avoiding most signal reflection interference. Connect PIN 2 (DMX-) and PIN 3 (DMX+) of the last fixture in series with a 120 Ohm, 1/4 W Resistor to terminate the DMX512.

## 5-Pin to 3-Pin XLR Conversion

Some DMX controllers and cables use 5-pin XLR connectors. The UV COB Cannon uses 3-pin XLR connectors. When connecting a 5-pin cable or controller to this fixture, use the following pin conversion to create a proper adapter cable:



3-Pin XLR to 5-Pin XLR Conversion		
Ground/Shield	Pin 1	Pin 1
Data Compliment (- signal)	Pin 2	Pin 2
Data True (+ signal)	Pin 3	Pin 3
Not Used		Do Not Use
Not Used		Do Not Use

# DMX SETUP

## DMX Addressing

All fixtures should be given a DMX starting address when using a DMX controller, so the correct fixture responds to the correct control signal. This digital starting address is the channel number from which the fixture starts to “listen” to the digital control signal sent out from the DMX controller. The assignment of this starting DMX address is achieved by setting the correct DMX address on the digital control display on the fixture.

You can set the same starting address for all fixtures or a group of fixtures, or set different addresses for each individual fixture. Setting all fixtures to the same DMX address will cause all fixtures to react in the same way, in other words, changing the settings of one channel will affect all the fixtures simultaneously.

If you set each fixture to a different DMX address, each unit will start to “listen” to the channel number you have set, based on the quantity of DMX channels of each fixture. That means changing the settings of one channel will only affect the selected fixture. For example, when operating this 3-channel unit, you should set the starting DMX address of the first unit to 1, the second unit to 4 (1 + 3), the third unit to 7 (1 + 3 + 3), etc...

Channel Mode	Unit 1 Address	Unit 2 Address	Unit 3 Address	Unit 4 Address
3Ch	1	4	7	10
4Ch	1	5	9	13

# DMX TRAITS

CHANNEL MODE		DMX VALUES	FUNCTION
3Ch	4Ch		
1	1		<b>Strobe</b>
		000 - 031	LED Off
		032 - 063	LED On
		064 - 095	Strobe, slow to fast
		096 - 127	LED On
		128 - 159	Strobe Pulse, slow to fast
		160 - 191	LED On
		192 - 223	Random Strobe, slow to fast
		224 - 255	LED On
2	2	000 - 255	<b>Dimmer</b>
	3	000 - 255	<b>Dimmer Fine</b>
3	4		<b>Dim Curves</b>
		000 - 020	Standard
		021 - 040	Stage
		041 - 060	TV
		061 - 080	Architectural
		081 - 100	Theatre
		101 - 120	Stage 2
		121 - 255	Default to Unit Setting

## GOBO REPLACEMENT

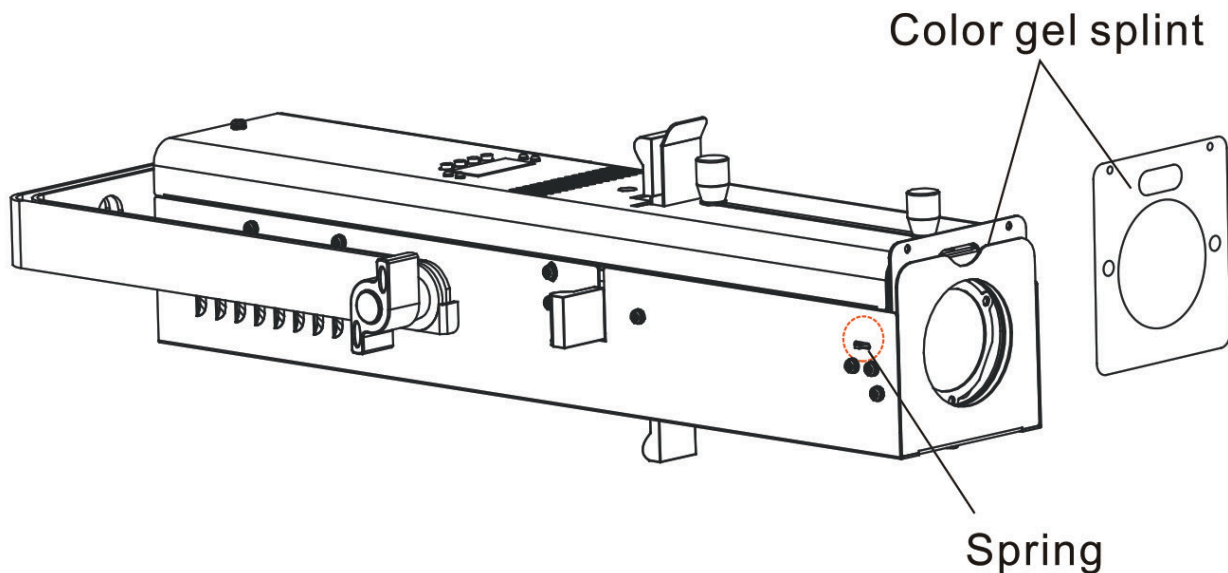
The gobo in this device can be interchanged at any time, allowing the user to customize the system. To replace gobo, follow the steps below:

1. Locate the gobo housing in front of the top framing blade, then gently slide the gobo housing out of the top of unit.
2. Use a pair of needle nose pliers to carefully remove the retaining ring that holds the gobo in the gobo housing.
3. Remove and replace the gobo with the desired replacement. Reinsert the retainer ring, making sure the ring rests firmly against the gobo.
4. Slide the gobo assembly back into place.

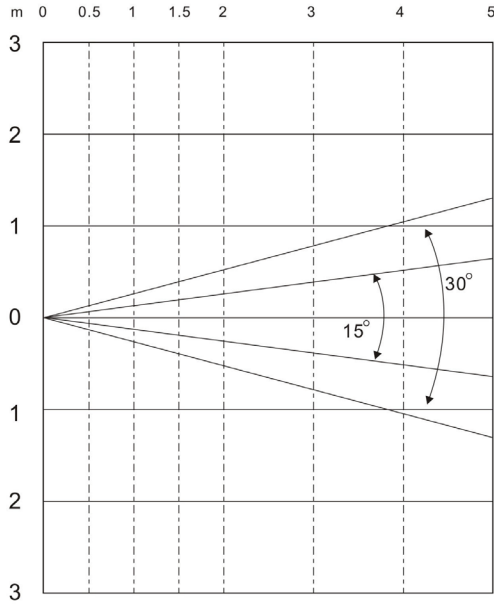
## ADDING A COLOR GEL

A color gel (not included) can be added to the front of this unit and can be interchanged at any time. This allows the user to customize the system. To add a color gel, follow the steps below:

1. Locate the color gel frame at the front of the unit. Slide the spring lever back and slide the gel frame out of the holder.
2. Once the gel frame has been removed, slide your desired color gel into the middle of the frame.
3. Slide the spring back and slide the gel frame into place.



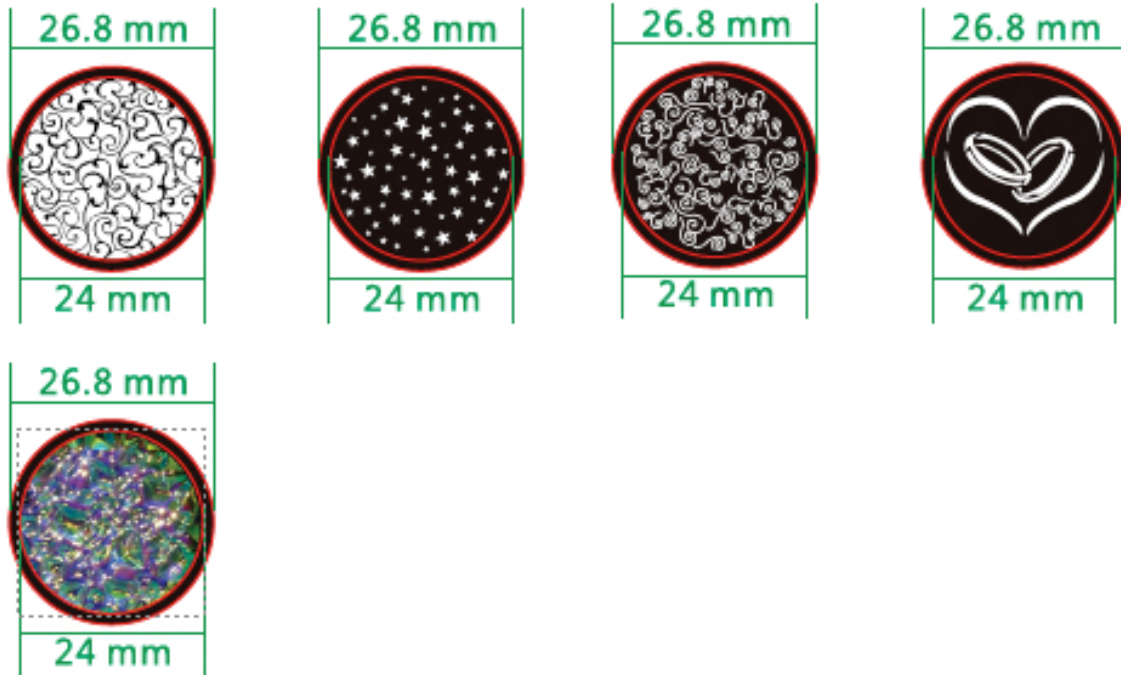
# PHOTOMETRIC CHART



## Ikon Profile Plus

		1m	2m	3m	4m	5m	
15°	CW	0.26	0.52	0.78	1.04	1.30	Diameter (Meters) LUX
		41490	8404	3981	2169	1400	
30°	CW	0.54	1.08	1.62	2.16	2.70	Diameter (Meters) LUX
		10820	2451	1080	576	382	

# GOBOS



# FUSE REPLACEMENT

Disconnect the unit from its power source. Remove the power cord from the unit, then find the fuse holder located inside the power socket. Use a philips-head screw driver to remove the fuse holder, then remove the bad fuse and replace with a new one of the same rating (T1A).

## POWER LINKING

This feature allows multiple units to be linked together by way of the power input and output sockets.

The maximum number of devices that can be connected in this manner is as follows:

**14 units maximum @ 120V.**

**24 units maximum @ 230V**

After this quantity has been reached, a new power outlet must be used to accommodate additional devices.

**Linked devices must be of the same make and model type. DO NOT mix devices!**

## TROUBLE SHOOTING

Below is a common problem that the user may encounter, with possible solutions.

### **No light output from the fixture:**

- Check that the fuse has not blown. The fuse is located on the rear panel of the fixture.
- Check that the 4 framing blades are not in the closed position.

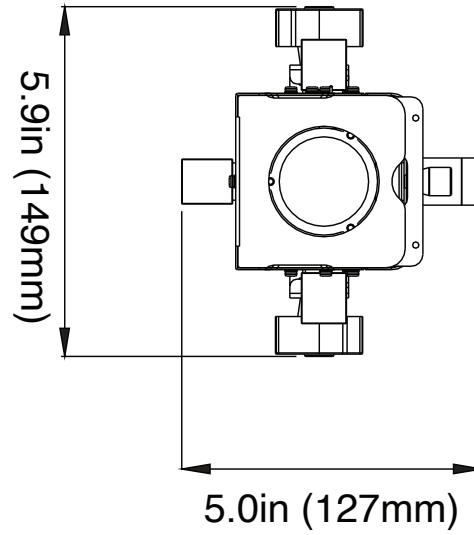
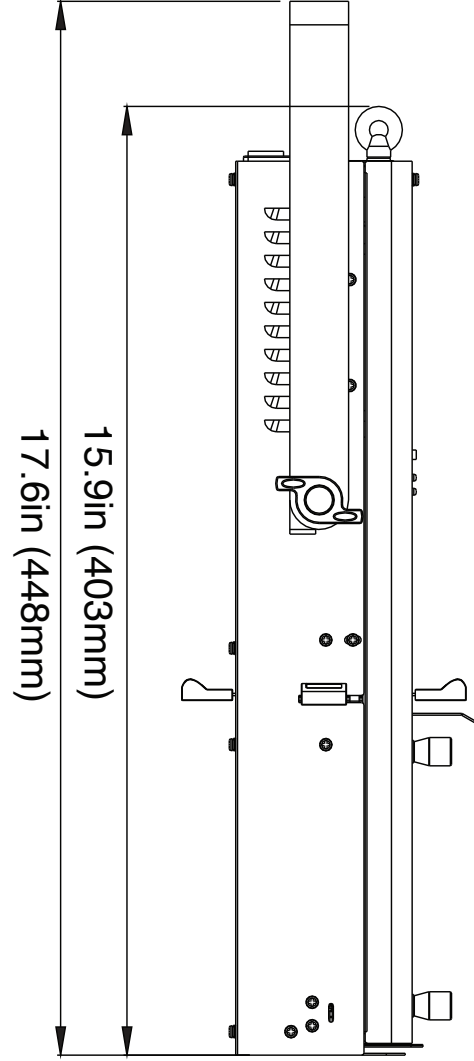
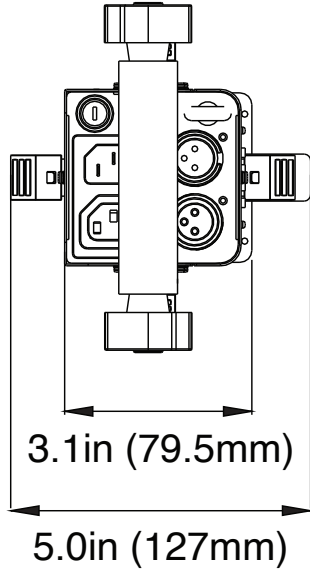
## CLEANING

Due to fog residue, smoke, and dust, cleaning of the internal and external optical lenses must be carried out periodically in order to optimize light output.

- Use normal glass cleaner and a soft cloth to wipe down the outside casing.
- Clean the external optics with glass cleaner and a soft cloth.
- Always be sure to dry all parts completely before plugging the unit back in.

Cleaning frequency depends on the environment in which the fixture operates (i.e. smoke, fog residue, dust, dew).

# DIMENSIONAL DRAWINGS



# SPECIFICATIONS

## Source:

- 40W White LED Source (9500K) @ 50,000 hours.
- CRI: 80
- LUX: 4121

## Features:

- High quality optics - Clear powerful output
- Adjustable beam angle: 15-30 degrees
- Manually adjustable Focus
- 4 manually adjustable Framing Shutters
- Drop in Gobo Slot for Metal or Glass Gobos
- Color Frame For Color Filters
- Run all night – No Duty Cycle
- Compatible with UC IR wireless remote control (included)

## GOBO:

- Includes one textured glass GOBO
- GOBO size: 26.8mm; Viewable size: 24mm

## Control:

- 2 DMX Channel Modes (3 Ch, 4 Ch)
- Digital display with 4-button function menu
- RDM (Remote Device Management)
- 0-100% Dimming
- Strobe and pulse effects
- 6 Dimmer Curves
- With Wired Digital Communication Network

## Connections:

- 3-pin DMX In/Out
- Locking power In/Out
- Safety Eyelet on Rear

## Electrical:

- Multi-voltage: 100-240V, 50/60Hz
- Power consumption: 44W max
- Daisy chain power (up to 14 Ikon Profile Plus @ 120V and 24 Ikon Profile Plus @ 230V)

## Dimensions & Weight:

- Dimensions (LxWxH): 17.75" x 6" x 5" / 448mm x 150mm x 127mm
- Weight: 6 lbs. / 2.7 kg.

## Approvals / Ratings:

- CE Compliant
- ETL Approved (Control #4002034)



# FCC STATEMENT

This device complies with Part 15 of the FCC Rules. Operation is subject to the following two conditions: (1) this device may not cause harmful interference, and (2) this device must accept any interference received, including interference that may cause undesired operation.

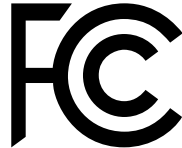
## **FCC RADIO FREQUENCY INTERFERENCE WARNINGS & INSTRUCTIONS**

This product has been tested and found to comply with the limits for a Class A digital device, pursuant to Part 15 of the FCC Rules. These limits are designed to provide reasonable protection against harmful interference when the equipment is operated in a commercial environment. This equipment generates, uses, and can radiate radio frequency energy and, if not installed and used in accordance with the instructions in this manual, may cause harmful interference to radio communications. Operation of this equipment in a residential area is likely to cause harmful interference, in which case the user will be required to correct the interference at his own expense.

## **Europe Energy Saving Notice**

Energy Saving Matters (EuP 2009/125/EC)

Saving electric energy is a key to help protecting the environment. Please turn off all electrical products when they are not in use. To avoid power consumption in idle mode, disconnect all electrical equipment from power when not in use. Thank you



This page intentionally left blank.

