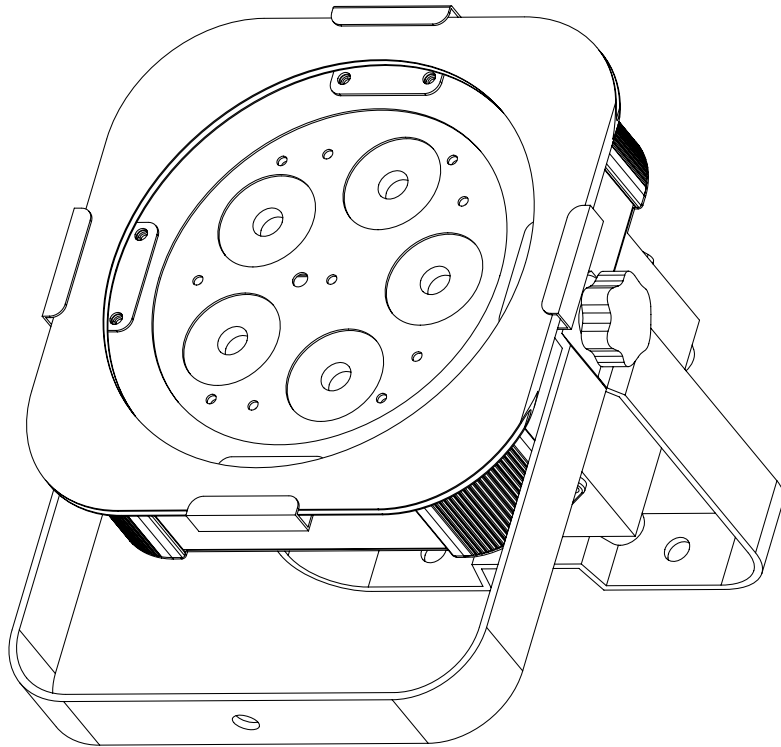




FLAT PAR QWH5X



User Instructions



Unpacking: Thank you for purchasing the Flat Par QWH5X by American DJ®. Every Flat Par QWH5X has been thoroughly tested and has been shipped in perfect operating condition. Carefully check the shipping carton for damage that may have occurred during shipping. If the carton appears to be damaged, carefully inspect your fixture for any damage and be sure all accessories necessary to operate the unit has arrived intact. In the case damage has been found or parts are missing, please contact our toll free customer support number for further instructions. Do not return this unit to your dealer without first contacting customer support.

Introduction: The American DJ® Flat Par QWH5X is part of a continuing pursuit to create high quality intelligent lighting. The Flat Par QWH5X is a DMX intelligent, high powered LED par fixture. This fixture can be used in a stand alone mode or connected in a Master/Slave configuration. This wash has five operating modes: Sound Active mode, Auto mode, RGBW mode, Static Color mode and DMX control mode.

Customer Support: American DJ provides a customer support line, to provide set up help and to answer any question should you encounter problems during your set up or initial operation. You may also visit us on the web at www.AmericanDJ.com for any comments or suggestions. Service Hours are Monday through Friday 8:00 a.m. to 4:30 p.m. Pacific Standard Time.

Voice: (323) 582-3322
Fax: (323) 582-3108
E-mail: support@AmericanDJ.com

Warning! To prevent or reduce the risk of electrical shock or fire, do not expose this unit to rain or moisture.

Caution! There are no user serviceable parts inside this unit. Do not attempt any repairs yourself, doing so will void your manufactures warranty. In the unlikely event your unit may require service please contact American DJ.

PLEASE recycle the shipping carton when ever possible.

Flat Par QWH5X

General Instructions

To optimize the performance of this product, please read these operating instructions carefully to familiarize yourself with the basic operations of this unit. These instructions contain important safety information regarding the use and maintenance of this unit. Please keep this manual with the unit, for future reference.

Flat Par QWH5X

Features

- Multicolor
- Five Operating Modes
- Electronic Dimming 0-100%
- Built in Microphone
- DMX-512 protocol
- 3-Pin DMX Connection
- 8 DMX Modes: 1 Channel Mode, 2 Channel Mode, 3 Channel Mode, 4 Channel Mode, 5 Channel Mode, 6 Channel Mode, 7 Channel Mode, and 8 Channel Mode.
- ADJ LED RC 2 compatible (Not Included)
- Power Cord Daisy Chain (See page 11)

Flat Par QWH5X

Warranty Registration

The Flat Par QWH5X carries a 2 year limited warranty. Please fill out the enclosed warranty card to validate your purchase. All returned service items whether under warranty or not, must be freight pre-paid and accompany a return authorization (R.A.) number. The R.A. number must be clearly written on the outside of the return package. A brief description of the problem as well as the R.A. number must also be written down on a piece of paper included in the shipping carton. If the unit is under warranty, you must provide a copy of your proof of purchase invoice. You may obtain a R.A. number by contacting our customer support team on our customer support number. All packages returned to the service department not displaying a R.A. number on the outside of the package will be returned to the shipper.

Flat Par QWH5X

Safety Precautions

- To reduce the risk of electrical shock or fire, do not expose this unit to rain or moisture
- Do not spill water or other liquids into or on to your unit.
- Do not attempt to operate this unit if the power cord has been frayed or broken. Do not attempt to remove or break off the ground prong from the electrical cord. This prong is used to reduce the risk of electrical shock and fire in case of an internal short.
- Disconnect from main power before making any type of connection.
- Do not remove the cover under any conditions. There are no user serviceable parts inside.
- Never operate this unit when its cover is removed.
- Never plug this unit in to a dimmer pack
- Always be sure to mount this unit in an area that will allow proper ventilation. Allow about 6" (15cm) between this device and a wall.
- Do not attempt to operate this unit, if it becomes damaged.
- This unit is intended for indoor use only, use of this product outdoors voids all warranties.
- During long periods of non-use, disconnect the unit's main power.
- Always mount this unit in a safe and stable manner.
- Power-supply cords should be routed so that they are not likely to be walked on or pinched by items placed upon or against them, paying particular attention to the point they exit from the unit.
- Cleaning -The fixture should be cleaned only as recommended by the manufacturer. See page 21 for cleaning details.
- Heat -The appliance should be situated away from heat sources such as radiators, heat registers, stoves, or other appliances (including amplifiers) that produce heat.
- The fixture should be serviced by qualified service personnel when:
 - A. The power-supply cord or the plug has been damaged.
 - B. Objects have fallen, or liquid has been spilled into the appliance.
 - C. The appliance has been exposed to rain or water.
 - D. The appliance does not appear to operate normally or exhibits a marked change in performance.

Power Supply: The American DJ Flat Par QWH5X contains a automatic voltage switch, which will auto sense the voltage when it is plugged into the power source. With this switch there is no need to worry about the correct power voltage, this unit can be plugged in anywhere.

DMX-512: DMX is short for Digital Multiplex. This is a universal protocol used as a form of communication between intelligent fixtures and controllers. A DMX controller sends DMX data instructions from the controller to the fixture. DMX data is sent as serial data that travels from fixture to fixture via the DATA “IN” and DATA “OUT” XLR terminals located on all DMX fixtures (most controllers only have a DATA “OUT” terminal).

DMX Linking: DMX is a language allowing all makes and models of different manufactures to be linked together and operate from a single controller, as long as all fixtures and the controller are DMX compliant. To ensure proper DMX data transmission, when using several DMX fixtures try to use the shortest cable path possible. The order in which fixtures are connected in a DMX line does not influence the DMX addressing. For example; a fixture assigned a DMX address of 1 may be placed anywhere in a DMX line, at the beginning, at the end, or anywhere in the middle. When a fixture is assigned a DMX address of 1, the DMX controller knows to send DATA assigned to address 1 to that unit, no matter where it is located in the DMX chain.

Data Cable (DMX Cable) Requirements (For DMX Operation):

The Flat Par QWH5X can be controlled via DMX-512 protocol. The Flat Par QWH5X has 8 DMX channel modes, please see pages 9-10 for the different DMX modes. The DMX address is set on the back panel of the Flat Par QWH5X. Your unit and your DMX controller require a standard 3-pin XLR connector for data input and data output (Figure 1). We recommend Accu-Cable DMX cables. If you are making your own cables, be sure to use standard 110-120 Ohm shielded cable (This cable may be purchased at almost all pro lighting stores). Your cables should be made with a male and female XLR connector on either end of the cable. Also remember that DMX cable must be daisy chained and cannot be split.



Figure 1

Notice: Be sure to follow figures two and three when making your own cables. Do not use the ground lug on the XLR connector. Do not connect the cable’s shield conductor to the ground lug or allow the shield conductor to come in contact with the XLR’s outer casing. Grounding the shield could cause a short circuit and erratic behavior.

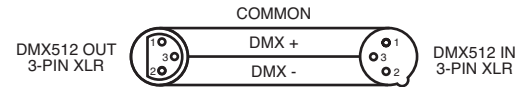


Figure 2



Figure 3

XLR Pin Configuration	
Pin 1	= Ground
Pin 2	= Data Compliment (negative)
Pin 3	= Data True (positive)

Special Note: Line Termination. When longer runs of cable are used, you may need to use a terminator on the last unit to avoid erratic behavior. A terminator is a 110-120 ohm 1/4 watt resistor which is connected between pins 2 and 3 of a male XLR connector (DATA + and DATA -). This unit is inserted in the female XLR connector of the last unit in your daisy chain to terminate the line. Using a cable terminator (ADJ part number Z-DMX/T) will decrease the possibilities of erratic behavior.



Termination reduces signal errors and avoids signal transmission problems and interference. It is always advisable to connect a DMX terminal, (Resistance 120 Ohm 1/4 W) between PIN 2 (DMX-) and PIN 3 (DMX +) of the last fixture.

Figure 4

5-Pin XLR DMX Connectors. Some manufactures use 5-pin DMX-512 data cables for DATA transmission in place of 3-pin. 5-pin DMX fixtures may be implemented in a 3-pin DMX line. When inserting standard 5-pin data cables in to a 3-pin line a cable adaptor must be used, these adaptors are readily available at most electric stores. The chart below details a proper cable conversion.

3-Pin XLR to 5-Pin XLR Conversion		
Conductor	3-Pin XLR Female (Out)	5-Pin XLR Male (In)
Ground/Shield	Pin 1	Pin 1
Data Compliment (- signal)	Pin 2	Pin 2
Data True (+ signal)	Pin 3	Pin 3
Not Used		Do Not Use
Not Used		Do Not Use

LED Display On/Off:

To set the LED display to turn off after 10 seconds, press the MODE button until “dxx” is displayed. “XX” represents either “on” or “oFF”. Press the UP or DOWN buttons so that “doff” is displayed. Now the display will disappear after 10s. Press any button to turn the display on again. Be advised though that the display will turn off automatically after 10 seconds.

“don” = LED display on at all times.

“doff” = LED display shuts off after 10 seconds.

LED Display Inversion:

Follow these instructions to flip the display 180° so that the display can be read upside down.

1. Plug the fixture in and press the MODE button until “dXX” is displayed. “XX” represents either “on” or “oFF”.
2. Press the SET UP button until “Std” is displayed.
3. Press the UP or DOWN buttons to “flip” the display 180°.

Operating Modes:

The Flat Par QWH5X has five operating modes:

- Sound-Active mode - The unit will react to sound.
- Static Color Mode - Choose 1 of 15 colors to remain static.
- Auto Mode - There are 3 different Auto Modes to choose from.
- RGB Mode - Choose one of the three colors to remain static or adjust the intensity of each color to make your own color.
- DMX control mode - This function will allow you to control each individual fixtures traits with a standard DMX 512 controller such as the American DJ® Show Designer™.

Sound Active Mode:

In this mode the Flat Par QWH5X will react to sound. There are 16 sound active programs to choose from. The sound sensitivity can also be adjusted.

1. Plug the fixture in and press the MODE button until “SOXX” is displayed. “XX” represents the sound active mode (1-16) currently displayed. Use the UP or DOWN buttons to scroll through the 16 sound active programs.
2. When you have found your desired sound active program press the SET UP button to adjust the sound sensitivity. When you press SET UP, “SJ-X” should be displayed. Use the UP or DOWN buttons to

adjust the sensitivity. “SJ-1” is the least sensitive, “SJ-8” is the most sensitive.

Static Color Mode:

1. Plug the fixture in and press the MODE button until “CLXX” is displayed.
2. There are 15 colors to choose from. Use the UP and DOWN buttons to scroll through the 15 colors. After you have found your desired color you can activate strobing by pressing the SET UP button to enter the Flash (strobe) mode.
3. “FS.XX” will be displayed, this is Flash mode. The Flash can be adjusted between “FS.00” (flash off) to “FS.15” (fastest flash).

Auto Mode: There are 3 different Auto Modes to choose from; Color Fade, Color Change, and both modes running together. The running speed is adjustable in all 3 modes.

1. Plug the fixture in and press the MODE button until either “AFXX”, “AJXX”, or “A-JF” is displayed. Press the SET UP button to scroll through the 3 different modes.
 - AFXX = Color Fade mode, there are 16 Color Fade modes to choose from. Use the UP or DOWN buttons to scroll through the different Auto Fade modes.
 - AJXX = Color Change mode, there are 16 Color Change modes to choose from. Use the UP or DOWN buttons to scroll through the different Auto Change modes.
 - A-JF = Both Color Fade and Color Change modes running.
2. After you have chosen your desired Auto Mode press the SET UP button until “SP.XX” is displayed. When this is displayed you can adjust the running speed of your Auto Mode. Use the UP or DOWN button to adjust the speed between “SP.01” (slowest) and “SP.16” (fastest). Once you have set your desired running speed, press the SET UP button to return to your desired Auto Mode.

RGBW Dimmer Mode:

1. Plug the fixture in and press the MODE button until:
2. When “r.XXX” is displayed you are in Red dimming mode. Press the UP and DOWN buttons to adjust intensity. After you have finished adjusting the intensity, or you would like to skip to the next color, press the SET UP button.
3. When “G.XXX” is displayed you are in Green dimming mode. Press the UP and DOWN buttons to adjust intensity.

4. When “b.XXX” is displayed you are in Blue dimming mode. Press the UP and DOWN buttons to adjust intensity.
5. When “H.XXX” is displayed you are in White dimming mode. Press the UP and DOWN buttons to adjust intensity.
6. After you have adjusted the RGBW colors to make your desired color you can then activate strobing by pressing the SET UP button to enter the Flash (strobe) mode.
7. “FS.XX” will be displayed, this is Flash mode. The Flash can be adjusted between “FS.00” (flash off) to “FS.15” (fastest flash).

DMX Mode:

Operating through a DMX controller gives the user the freedom to create their own programs tailored to their own individual needs. This function also allows you to use your fixtures as spot lights. The Flat Par QWH5X has 8 DMX modes: 1 Channel mode, 2 Channel mode, 3 Channel mode, 4 Channel mode, 5 Channel mode, 6 Channel mode, 7 Channel mode and a 8 Channel mode. See pages 15-20 for each modes’ DMX traits.

1. This function will allow you to control each individual fixture’s traits with a standard DMX 512 controller.
2. To run your fixture in DMX mode press the MODE button until “A.XXX” is displayed. “XXX” represents the current displayed address. Use the UP or DOWN buttons to select your desired DMX address, then press the SETUP button to select your DMX Channel mode.
3. Use the UP or DOWN buttons to scroll through the DMX Channel modes. The Channel modes are listed below:
 To run the 1 Channel Mode, press the MODE button until “Ch.01” is displayed. This is the 1 Channel DMX Mode.
 To run the 2 Channel Mode, press the MODE button until “Ch.02” is displayed. This is the 2 Channel DMX Mode.
 To run the 3 Channel Mode, press the MODE button until “Ch.03” is displayed. This is the 3 Channel DMX Mode.
 To run the 4 Channel Mode, press the MODE button until “Ch.04” is displayed. This is the 4 Channel DMX Mode.
 To run the 5 Channel Mode, press the MODE button until “Ch.05” is displayed. This is the 5 Channel DMX Mode.
 To run the 6 Channel Mode, press the MODE button until “Ch.06” is displayed. This is the 6 Channel DMX Mode.
 To run the 7 Channel Mode, press the MODE button until “Ch.07” is displayed. This is the 7 Channel DMX Mode.

To run the 8 Channel Mode, press the MODE button until “Ch.08” is displayed. This is the 8 Channel DMX Mode.

4. Please see pages 15-20 for DMX values and traits.
5. After you have chosen your desired DMX Channel mode plug in the fixture via the XLR connections to any standard DMX controller.

Default Running Mode:

This is a default running mode. When this mode is activated all modes will return to their default settings.

1. Plug the fixture in and press the MODE button until “dXX” is displayed. “XX” represents either “on” or “oFF”.
2. Press the SET UP button until “dEFA” is displayed.
3. Press the UP and DOWN buttons simultaneously. Press the MODE button to exit.

Infrared Receiver:

This function is used to activate and deactivate the infrared receiver. When this function is activated you can control the fixture using the ADJ LED RC 2 (Remote Control). Please see the next page for ADJ LED RC 2 controls and functions.

1. Plug the fixture in and press the MODE button until “dXX” is displayed. “XX” represents either “on” or “oFF”.
2. Press the SET UP button until “IrXX” is displayed. “XX” represents either “on” or “oF”.
3. Press the UP or DOWN buttons to either activate the remote function (On) or deactivate it (Off).

Master-Slave Operation:

This function will allow you to link units together to run in a Master-Slave configuration. In a Master-Slave configuration one unit will act as the controlling unit and the others will react and copy the controlling units operation. Any unit can act as a Master or as a Slave however, only one unit can be programmed to act as the “Master.”

Master-Slave Connections and Settings:

1. Daisy chain your units via the XLR connector on the rear of the unit. Use standard XLR data cables to link your units together. Remember that the Male XLR connector is the input and the Female XLR connector is the output. The first unit in the chain (master) will use the female XLR connector only. The last unit in the chain will use the male XLR connector only.
2. Connect the first “Slave” unit to the “Master.”
3. Set the “Master” unit to your desired mode of operation. The “Slave” unit will now follow the “Master”.

With this feature you can connect the fixtures to one another using the IEC input and output sockets. The quantity that can be connected is 18 fixtures maximum. After 18 fixtures you will need to use a new power outlet. They must be the same fixtures. DO NOT mix fixtures.

The **ADJ LED RC 2** infrared remote (sold separately) has many different functions and gives you complete control of your Flat Par QWH5X. To control the your desired fixture you must aim the controller at the front of the fixture and be no more than 30 feet away. To use the ADJ LED RC 2 you must first activate the fixtures infrared receiver, to activate the receiver please see the instructions on page 10.

BLACKOUT - Pressing this button will blackout the fixture.

PROGRAM SELECTION - This button will let you access the units 4 built-in modes; static color mode, color fade mode, color change mode, and both color fade & color change modes. Each press of the button will switch to the next running mode.

- When the Red LEDs flash 2 times, this indicates that you are in Static Color mode. Use the “+” & “-” buttons to scroll through the static colors, or press two numbers to choose 1 of the 15 static colors. Press FLASH button to activate strobing and use the “+” & “-” buttons to adjust the flash rate.

Example: Press “0-3” to select static color 3 or press “1-2” to select static color 12.

- When the Green LEDs flash 2 times, this indicates that you are in Color Fade & Color Change mode. Press SPEED button and use the “+” & “-” buttons to adjust the fade/change speed.

- When the Blue LEDs flash 2 times, this indicates that you are in Color Fade mode. Press SPEED button and use the “+” & “-” buttons to adjust the color fade speed.

- When the White LEDs flash 2 times, this indicates that you are in Color Change mode. Press SPEED button and use the “+” & “-” buttons to adjust the color change speed.

FLASH - This button will activate the strobe effect. You can control the flash rate by pressing the “+” and “-” buttons. Press this button again to exit strobe mode.

SPEED - Press this button to activate and use the “+” & “-” buttons to adjust the speed of color fade and color change mode, color fade mode, color change mode, and the sound sensitivity level.

DMX MODE - This button will let you select which DMX mode you

want to use. Some fixtures will come with different DMX channel modes. This button will switch between the different modes. Please see pages 15-20 for DMX modes, values, and traits.

SL/SA (Slave/Sound Active) - This button lets you switch between Slave mode in a Master-Slave configuration and Sound Active mode. When the fixture is in Sound Active mode, use the “+” & “-” buttons to scroll through the 16 sound active modes. To adjust the sound sensitivity, press the SPEED button and use the “+” & “-” buttons to adjust the sensitivity.

SET ADDRESS - Press this button to set the DMX address. Press this button first, then press the numbers to set the address.

Example: Set DMX Address 1 Press “S-0-0-1”

Set DMX Address 245 Press “S-2-4-5”

R G B W - Press either one of these buttons and then press the “+” or “-” to adjust the brightness.

“+” and “-” - Use these buttons to adjust the flash rate speed, program speed, sound sensitivity, and program selection.

DMX Control:

Operating through an DMX controller gives the user the freedom to create their own programs tailored to their own individual needs. Follow the directions below to set your DMX Mode and address.

1. Before connecting to an DMX controller, your fixture has different DMX channel modes, please select your desired mode by pressing the DMX Mode button, then using the “+” or “-” buttons to scroll through the DMX Channel Modes. Set the mode before you address the fixture. See the bottom of this page for the DMX modes.

2. After you have selected your mode, set the DMX address for the fixture by pressing the “S” button. When the “S” button is pressed the LED’s will flash 2-3 times and all the red LED’s will light. Use the number buttons to press in your desired address. See **“SET ADDRESS”** located above for examples.

Note: When setting the DMX address, each time a number is pressed a LED color will glow, when you have set the DMX address correctly all LED’s will flash 2-3 times.

3. Now you may connect the fixture via the XLR connections to any standard DMX controller. Please see pages 15-20 for a detailed descriptions of the DMX modes, values, and traits.

- **If the Red LED’s glow you are in DMX Mode 1: 1 Channel Mode.**
- **If the Green LED’s glow you are in DMX Mode 2: 2 Channel Mode.**
- **If the Blue LED’s glow you are in DMX Mode 3: 3 Channel Mode.**
- **If the White LED’s glow you are in DMX Mode 4: 4 Channel Mode.**
- **If the Red & Green LED’s glow you are in DMX Mode 5: 5 Channel Mode.**
- **If the Red & Blue LED’s glow you are in DMX Mode 6: 6 Channel Mode.**
- **If the Red & White LED’s glow you are in DMX Mode 7: 7 Channel Mode.**
- **If the Green & Blue LED’s glow you are in DMX Mode 8: 8 Channel Mode.**

Flat Par QWH5X 1 Channel - DMX Values & Functions		
Channel	Value	Function
1	0 - 15	COLOR MACROS OFF
	16 - 31	RED
	32 - 47	GREEN
	48 - 63	BLUE
	64 - 79	WHITE
	80 - 95	RED & GREEN
	96 - 111	RED & BLUE
	112 - 127	RED & WHITE
	128 - 143	GREEN & BLUE
	144 - 159	GREEN & WHITE
	160 - 175	BLUE & WHITE
	176 - 191	RED & GREEN & BLUE
	192 - 207	RED & GREEN & WHITE
	208 - 223	RED & BLUE & WHITE
	224 - 239	GREEN & BLUE & WHITE
	240 - 255	RED & GREEN & BLUE & WHITE

Flat Par QWH5X 2 Channel - DMX Values & Functions		
Channel	Value	Function
1	1 - 255	COLOR MACROS (See 1 Channel DMX mode for colors)
2	1 - 255	DIMMER 0% - 100%

Flat Par QWH5X 3 Channel - DMX Values & Functions		
Channel	Value	Function
1	1 - 255	COLOR MACROS (See 1 Channel DMX mode for colors)
2	1 - 255	DIMMER 0% - 100%
3	0 - 15	STROBING OFF
	16 - 255	STROBING SLOW - FAST

Flat Par QWH5X 4 Channel - DMX Values & Functions		
Channel	Value	Function
1	1 - 255	RED 0% - 100%
2	1 - 255	GREEN 0% - 100%
3	1 - 255	BLUE 0% - 100%
4	1 - 255	WHITE 0% - 100%

Flat Par QWH5X 5 Channel - DMX Values & Functions		
Channel	Value	Function
1	1 - 255	RED 0% - 100%
2	1 - 255	GREEN 0% - 100%
3	1 - 255	BLUE 0% - 100%
4	1 - 255	WHITE 0% - 100%
5	1 - 255	MASTER DIMMER 0% - 100%

Flat Par QWH5X 6 Channel - DMX Values & Functions		
Channel	Value	Function
1	1 - 255	RED 0% - 100%
2	1 - 255	GREEN 0% - 100%
3	1 - 255	BLUE 0% - 100%
4	1 - 255	WHITE 0% - 100%
5	1 - 255	MASTER DIMMER 0% - 100%
6	1 - 255	COLOR MACROS (See 1 Channel DMX mode for colors)

Channels 1, 2, 3, & 4 will not work, when Channel 6 is being used.

Flat Par QWH5X 7 Channel - DMX Values & Functions		
Channel	Value	Function
1	1 - 255	RED 0% - 100%
2	1 - 255	GREEN 0% - 100%
3	1 - 255	BLUE 0% - 100%
4	1 - 255	WHITE 0% - 100%
5	1 - 255	MASTER DIMMER 0% - 100%
6	0 - 15 16 - 255	STROBING OFF STROBING SLOW - FAST
7	1 - 255	COLOR MACROS (See 1 Channel DMX mode for colors)

Channels 1, 2, 3, & 4 will not work, when Channel 7 is being used.

Flat Par QWH5X 8 Channel - DMX Values & Functions		
Channel	Value	Function
1	1 - 255	RED 0% - 100%
2	1 - 255	GREEN 0% - 100%
3	1 - 255	BLUE 0% - 100%
4	1 - 255	WHITE 0% - 100%
5	1 - 255	MASTER DIMMER 0% - 100%
6	0 - 15 16 - 255 0 - 255 0 - 31 32 - 255	STROBING/PROGRAM SPEED/ SOUND SENSITIVITY STROBING OFF STROBING SLOW - FAST PROGRAM SPEED SLOW - FAST SOUND SENSITIVITY OFF SOUND SENSITIVE LEAST - MOST
7	0 - 51 52 - 102 103 - 153 154 - 204 205 - 255	DIMMING/STATIC COLOR SELECT/ COLOR CHANGE SELECT/ <u>COLOR FADE SELECT</u> DIMMER MODE COLOR MACRO MODE COLOR CHANGE MODE COLOR FADE MODE SOUND ACTIVE MODE
8	1 - 255 0 - 15 16 - 31 32 - 47 48 - 63	COLOR MACROS & MODES <u>COLOR MACROS</u> (SEE 1 CHANNEL DMX MODE FOR COLORS) <u>COLOR CHANGE MODE</u> COLOR CHANGE 1 COLOR CHANGE 2 COLOR CHANGE 3 COLOR CHANGE 4

Flat Par QWH5X		8 Channel - DMX Values & Functions
Channel	Value	Function
8		<u>COLOR CHANGE MODE CONT.</u>
	64 - 79	COLOR CHANGE 5
	80 - 95	COLOR CHANGE 6
	96 - 111	COLOR CHANGE 7
	112 - 127	COLOR CHANGE 8
	128 - 143	COLOR CHANGE 9
	144 - 159	COLOR CHANGE 10
	160 - 175	COLOR CHANGE 11
	176 - 191	COLOR CHANGE 12
	192 - 207	COLOR CHANGE 13
	208 - 223	COLOR CHANGE 14
	224 - 239	COLOR CHANGE 15
	240 - 255	COLOR CHANGE 16
		<u>COLOR FADE MODE</u>
	0 - 15	COLOR FADE 1
	16 - 31	COLOR FADE 2
	32 - 47	COLOR FADE 3
	48 - 63	COLOR FADE 4
	64 - 79	COLOR FADE 5
	80 - 95	COLOR FADE 6
	96 - 111	COLOR FADE 7
	112 - 127	COLOR FADE 8
	128 - 143	COLOR FADE 9
	144 - 159	COLOR FADE 10
	160 - 175	COLOR FADE 11
	176 - 191	COLOR FADE 12
	192 - 207	COLOR FADE 13
	208 - 223	COLOR FADE 14
	224 - 239	COLOR FADE 15
	240 - 255	COLOR FADE 16
		<u>SOUND ACTIVE MODE</u>
	0 - 15	SOUND ACTIVE MODE 1
	16 - 31	SOUND ACTIVE MODE 2

Flat Par QWH5X		8 Channel - DMX Values & Functions
Channel	Value	Function
8		<u>SOUND ACTIVE MODE CONT.</u>
	32 - 47	SOUND ACTIVE MODE 3
	48 - 63	SOUND ACTIVE MODE 4
	64 - 79	SOUND ACTIVE MODE 5
	80 - 95	SOUND ACTIVE MODE 6
	96 - 111	SOUND ACTIVE MODE 7
	112 - 127	SOUND ACTIVE MODE 8
	128 - 143	SOUND ACTIVE MODE 9
	144 - 159	SOUND ACTIVE MODE 10
	160 - 175	SOUND ACTIVE MODE 11
	176 - 191	SOUND ACTIVE MODE 12
	192 - 207	SOUND ACTIVE MODE 13
	208 - 223	SOUND ACTIVE MODE 14
	224 - 239	SOUND ACTIVE MODE 15
	240 - 255	SOUND ACTIVE MODE 16

When Channel 7 is between the values of 0-51, Channels 1-4 are used, and Channel 6 will control strobing.

When Channel 7 is between the values of 52-102, Channel 8 is in Color Macros Mode, and Channel 6 will control strobing.

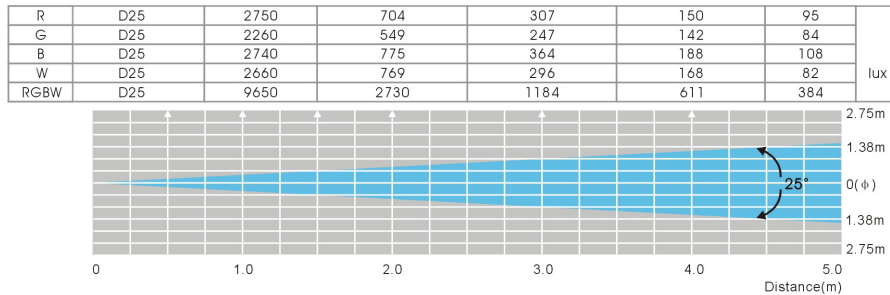
When Channel 7 is between the values of 103-153, Channel 8 is in Color Change Mode, and Channel 6 will control the color change speed.

When Channel 7 is between the values of 154-204, Channel 8 is in Color Fade Mode, and Channel 6 will control the color fade speed.

When Channel 7 is between the values of 205-255, Channel 8 is in Sound Active Mode, and Channel 6 will control the sound sensitivity.

Flat Par QWH5X

Photometric Chart



Flat Par QWH5X

Installation

The Flat Par QWH5X is fully operational in three different mounting positions, hanging upside-down from a ceiling, hanging sideways on trussing, or set on a flat level surface. The unit should be mounted using a mounting clamp (not provided), affixing it to the mounting bracket that is provided with the unit. Always ensure that the unit is firmly fixed to avoid vibration and slipping while operating. Always ensure that the structure to which you are attaching the unit is secure and is able to support a weight of 10 times the unit's weight. Also, always use a safety cable that can hold 12 times the weight of the unit when installing the fixture.

The equipment must be installed by a professional, and it must be installed in a place where it is out of the reach of people's grasp.

Flat Par QWH5X

Fuse Replacement

Disconnect the unit from its power source. Remove the power cord from the unit. Once the cord has been removed, you will find that the fuse holder is located inside the power socket. Insert a flat-head screw driver into the power socket and gently pry out the fuse holder. Remove the bad fuse and replace with a new one. The fuse holder also has a holder for a spare fuse.

Flat Par QWH5X

Cleaning

Due to fog residue, smoke, and dust cleaning the internal and external optical lenses must be carried out periodically to optimize light output.

1. Use normal glass cleaner and a soft cloth to wipe down the outside casing.
2. Clean the external optics with glass cleaner and a soft cloth every 20 days.
3. Always be sure to dry all parts completely before plugging the unit back in.

Cleaning frequency depends on the environment in which the fixture operates (i.e. smoke, fog residue, dust, dew).

Flat Par QWH5X

Trouble Shooting

Listed below are a few common problems the user may encounter, with solutions.

Unit not responding to DMX:

1. Check that the DMX cables are connected properly and are wired correctly (pin 3 is "hot"; on some other DMX devices pin 2 may be 'hot'). Also, check that all cables are connected to the right connectors; it does matter which way the inputs and outputs are connected.

Unit does not respond to sound:

1. Quiet or high pitched sounds will not activate the unit.
2. Make sure that Sound Active mode is activated.

Flat Par QWH5X

Warranty

MANUFACTURER'S LIMITED WARRANTY

A. American DJ, Inc. hereby warrants, to the original purchaser, American DJ and American Audio products to be free of manufacturing defects in material and workmanship for a prescribed period from the date of purchase (see specific warranty period on reverse). This warranty shall be valid only if the product is purchased within the United States of America, including possessions and territories. It is the owner's responsibility to establish the date and place of purchase by acceptable evidence, at the time service is sought.

B. For warranty service you must obtain a Return Authorization number (RA#) before sending back the product. Contact American DJ, Inc. Service Department at 800-322-6337. Send the product only to the American DJ, Inc. factory. All shipping charges must be pre-paid. If the requested repairs or service (including parts replacement) are within the terms of this warranty, American DJ, Inc. will pay return shipping charges only to a designated point within the United States. If the entire instrument is sent, it must be shipped in its original package. No accessories should be shipped with the product. If any accessories are shipped with the product, American DJ, Inc. shall have no liability whatsoever for loss of or damage to any such accessories, nor for the safe return thereof.

C. This warranty is void if the serial number has been altered or removed; if the product is modified in any manner which American DJ, Inc. concludes, after inspection, affects the reliability of the product; if the product has been repaired or serviced by anyone other than the American DJ, Inc. factory unless prior written authorization was issued to purchaser by American DJ, Inc.; if the product is damaged because not properly maintained as set forth in the instruction manual.

D. This is not a service contract, and this warranty does not include maintenance, cleaning or periodic check-up. During the period specified above, American DJ, Inc. will replace defective parts at its expense with new or refurbished parts, and will absorb all expenses for warranty service and repair labor by reason of defects in material or workmanship. The sole responsibility of American DJ, Inc. under this warranty shall be limited to the repair of the product, or replacement thereof, including parts, at the sole discretion of American DJ. All products covered by this warranty were manufactured after January 1, 1990, and bear identifying marks to that effect.

E. American DJ, Inc. reserves the right to make changes in design and/or improvements upon its products without any obligation to include these changes in any products theretofore manufactured. No warranty, whether expressed or implied, is given or made with respect to any accessory supplied with products described above. Except to the extent prohibited by applicable law, all implied warranties made by American DJ, Inc. in connection with this product, including warranties of merchantability or fitness, are limited in duration to the warranty period set forth above. And no warranties, whether expressed or implied, including warranties of merchantability or fitness, shall apply to this product after said period has expired. The consumer's and/or Dealer's sole remedy shall be such repair or replacement as is expressly provided above; and under no circumstances shall American DJ, Inc. be liable for any loss or damage, direct or consequential, arising out of the use of, or inability to use, this product.

This warranty is the only written warranty applicable to American DJ and American Audio Products and supersedes all prior warranties and written descriptions of warranty terms and conditions heretofore published.

MANUFACTURER'S LIMITED WARRANTY PERIODS:

- All American Audio Products = 1-year (365 day) Limited Warranty (except V-Plus Series Amplifiers)
- All American Audio V-Plus Series Amplifiers = 3-year (1095 day) Limited Warranty
- American DJ Lighting and American DJ Branded Products = 1-year (365 day) Limited Warranty (Such as: Special Effect Lighting, Intelligent Lighting, UV lighting, Strobes, Fog Machines, Bubble Machines, Mirror Balls, Par Cans, Trussing, Lighting Stands etc. excluding Laser Products, lamps, and Star Tec Series)
- American DJ Laser Products and Star Tec Products = 90-Day Limited Warranty
- American DJ L.E.D. Products = 2-year (730 day) Limited Warranty (excluding motors, PCB boards, and power supplies, which have a 1-year (365 day Limited Warranty) and batteries which have a 180 day limited warranty).

Flat Par QWH5X

Specifications

Model: Flat Par QWH5X

Voltage:	100V ~ 240V/50~60Hz
LEDs:	5 x 5 Watt 4-in-1 LED's
Beam Angle:	25 Degrees
Working Position:	Any safe working position
Power Consumption:	34W
Power Cord Daisy Chain:	18 Fixtures Max.
Fuse:	1 Amp
Weight:	6lbs./ 2.5Kgs.
Dimensions:	10.75" (L) x 9" (W) x 4.5" (H) 272 x 230 x 115mm
Colors:	RGBW Color Mixing
DMX Channels:	8 DMX Modes: 1 Channel Mode, 2 Channel Mode, 3 Channel Mode, 4 Channel Mode, 5 Channel Mode 6 Channel Mode, 7 Channel Mode & 8 Channel Mode
Warranty:	2 Year (730 days)

Auto Sensing Voltage: This fixture contains a automatic voltage switch, which will auto sense the voltage when it is plugged into the power source.

Please Note: Specifications and improvements in the design of this unit and this manual are subject to change without any prior written notice.

©American DJ Supply

American DJ World Headquarters:

6122 S. Eastern Ave. Los Angeles, CA 90040 USA

Tel: 323-582-2650 / Fax: 323-725-6100

Web: www.americandj.com / E-mail: info@americandj.com

American DJ Europe

Junostraat 2

6468 EW Kerkrade

Netherlands

Follow Us On:



facebook.com/americandj
twitter.com/americandj
youtube.com/adjlighting

service@adjgroup.eu / www.americandj.eu
Tel: +31 45 546 85 00 / Fax: +31 45 546 85 99