



ELECTRAPIX PAR 7

User Manual

©2026 ADJ Products, LLC all rights reserved. Information, specifications, diagrams, images, and instructions herein are subject to change without notice. ADJ Products, LLC logo and identifying product names and numbers herein are trademarks of ADJ Products, LLC. Copyright protection claimed includes all forms and matters of copyrightable materials and information now allowed by statutory or judicial law or hereinafter granted. Product names used in this document may be trademarks or registered trademarks of their respective companies and are hereby acknowledged. All non-ADJ Products, LLC brands and product names are trademarks or registered trademarks of their respective companies.

ADJ Products, LLC and all affiliated companies hereby disclaim any and all liabilities for property, equipment, building, and electrical damages, injuries to any persons, and direct or indirect economic loss associated with the use or reliance of any information contained within this document, and/or as a result of the improper, unsafe, insufficient and negligent assembly, installation, rigging, and operation of this product.

ADJ PRODUCTS LLC World Headquarters
 6122 S. Eastern Ave. | Los Angeles, CA 90040 USA
 Tel: 800-322-6337 | www.adj.com | support@adj.com

ADJ Supply Europe B.V.
ADJ SERVICE EUROPE - Monday - Friday 08:30 to 17:00 CET
 Junostraat 2 | 6468 EW Kerkrade | Netherlands
 +31 45 546 85 60 | info@adj.eu | support@adj.eu

Europe Energy Saving Notice

Energy Saving Matters (EuP 2009/125/EC)

Saving electric energy is a key to help protecting the environment. Please turn off all electrical products when they are not in use. To avoid power consumption in idle mode, disconnect all electrical equipment from power when not in use. Thank you!

DOCUMENT VERSION



Due to additional product features and/or enhancements, an updated version of this document may be available online. Please check www.adj.com for the latest revision/update of this manual before beginning installation and/or programming.

Date	Document Version	Software Version	DMX Channels	Notes
03/20/2024	1.0	1.00	5 / 6 / 9 / 13 / 22 / 24 / 42 / 45 / 60 Ch	Initial release
04/09/2024	1.1	N/C	No Change	Added Battery Charging
05/17/2024	1.2	N/C	No Change	Updated System Menu, Battery Charging
09/10/2024	1.3	N/C	No Change	Added Snoot Installation Instructions
11/20/2024	1.4	1.01	No Change	Updated Software, System Menu, added Spanish System Menu, & DMX Traits from factory
04/01/2025	1.5	N/C	No Change	Updated Dimensional Drawings, Specifications, Ordering Information, FCC Statement
04/09/2026	1.6	1.04	5 / 6 / 7 / 9 / 12 / 13 / 22 / 24 / 42 / 45 / 60 Ch	Updated: General Info, RDM, System Menu, DMX Setup, DMX Traits, Specifications, Ordering Info

CONTENTS

General Information	4
Features	5
IP65 Rated	6
Safety Precautions	7
Battery Warnings	9
Battery Charging	10
Overview	11
Installation Guidelines	12
Accessory Installation	17
Remote Device Management (RDM)	20
System Menu	21
English	22
Spanish	25
UC IR Remote	28
IR Default Values Editing IR Button Values	29
DMX Set Up	30
DMX Traits	32
Color Macros - RGBAL+UV	36
Color Macros - Background	38
Color Temperature	39
Pixel Flip	40
Dim Modes	41
Primary-Secondary Set Up Multi Unit Power Linking	42
Maintenance Guidelines	43
Torque Settings for Screws	44
IP Test Parameters	45
Dimensional Drawings	46
Specifications	47
Ordering Information	48
FCC Statement	49

GENERAL INFORMATION

INTRODUCTION

Please read and understand all instructions in this manual carefully and thoroughly before attempting to operate these products. These instructions contain important safety and use information.

UNPACKING

This device has been thoroughly tested and has been shipped in perfect operating condition. Carefully check the shipping carton for damage that may have occurred during shipping. If the carton appears to be damaged, carefully inspect the device for damage and be sure all accessories necessary to operate the device have arrived intact. In the event damage has been found or parts are missing, please contact our customer support team for further instructions. Please do not return this device to your dealer without first contacting customer support at the number listed below. Please do not discard the shipping carton in the trash. Please recycle whenever possible.

CUSTOMER SUPPORT

Contact ADJ Service for any product related service and support needs. Also visit forums.adj.com with questions, comments or suggestions.

Parts: To purchase parts online visit:

<http://parts.adj.com> (US)

<http://www.adjparts.eu> (EU)

ADJ SERVICE USA - Monday - Friday 8:00am to 4:30pm PST

Voice: 800-322-6337 | support@adj.com

ADJ SERVICE EUROPE - Monday - Friday 08:30 to 17:00 CET

Voice: +31 45 546 85 60 | support@adj.eu

ADJ PRODUCTS LLC USA

6122 S. Eastern Ave. Los Angeles, CA. 90040

323-582-2650 | www.adj.com | info@adj.com

ADJ SUPPLY Europe B.V

Junostraat 2 6468 EW Kerkrade, The Netherlands

+31 (0)45 546 85 00 | www.adj.eu | info@adj.eu

ADJ PRODUCTS GROUP Mexico

AV Santa Ana 30 Parque Industrial Lerma, Lerma, Mexico 52000

+52 (728) 282-7070

LIMITED WARRANTY

For up-to-date warranty information regarding your device, please visit ADJ's warranty information page online or scan the QR codes below.



USA: <https://www.adj.com/pages/warranty-information>



EU: https://www.adj.eu/terms_and_conditions

It is strongly recommended to power the fixture down completely when not in use. Doing so will reduce wear on the fixture due to sustained or extended operational periods, thereby maximizing its operational lifespan.

FEATURES

- 7 Pixel, Hex Color LED (RGBAL+UV) LED Par
- Battery or Wall Powered
- Battery operation can be selected by the user for durations ranging from 5 to 20 hours
- Individual Pixel Control
- Built-In Foreground LED Programs
- Built-In Background LED Programs
- Variable White Color Temperature Control (2,300K ~ 9,900K)
- English & Spanish User Menu
- Built-In Alarm
- Color Calibrated LEDs
- User Selectable LED Refresh Rates (900Hz ~ 25K)
- 6 User Selectable Dim Modes
- 4 User Selectable Dim Curves
- Electronic Strobe (0.3Hz ~ 11Hz)
- Electronic Dimming
- Three DMX Channel Modes
- RDM

INCLUDED ITEMS

- UC-IR24 Remote Control (x1)
- Outdoor Locking Power Cable (x1)
- Gel Frame Holder (x1)
- 20° Diffusion Filter (x1)

IP65 RATED

The **International Protection (IP)** rating system is commonly expressed as “**IP**” (Ingress Protection) followed by two numbers (i.e. IP65), where the numbers define the degree of protection. The first digit (Foreign Bodies Protection) indicates the extent of protection against particles entering the fixture, and the second digit (Water Protection) indicates the extent of protection against water entering the fixture. An **IP65** rated lighting fixture is designed and tested to protect against the ingress of dust (**6**), and low-pressure water jets from any direction (**5**).

NOTE: THIS FIXTURE IS INTENDED FOR TEMPORARY OUTDOOR USE ONLY!

Maritime/Coastal Environment Installations: A coastal environment is seaside adjacent, and caustic to electronics through exposure to atomized salt-water and humidity, whereas maritime is anywhere within 5-miles of a coastal environment.



NOT suitable for maritime/coastal environment installations. Installing this fixture in a maritime/coastal environment may cause corrosion and/or excessive wear to the interior and/or exterior components of the fixture. Damages and/or performance issues resulting from installation in a maritime/coastal environment will void the manufacturer’s warranty, and will NOT be subject to any warranty claims and/or repairs.

Maritime installations require additional preparation, and additional service intervals may be needed given the maritime use. In general, IP ratings presuppose freshwater conditions VS maritime conditions, which are typically more “caustic” to IP fixtures (both internally and externally). A duty-cycle may also be needed when units are not in use. During times of high humidity and colder temperatures, condensation may occur internally so the fixture may require a duty-cycle to bring it up to running temperature, allowing any accumulation of moisture to be expelled via the vent valve. Recommendations can change based on installation environmental circumstances. A waterproof dome or similar device is recommended for use in permanent outdoor installations. When using a dome, refer to manufacturer recommendations for duty-cycle.

NOTE: NOT ALL FEATURES LISTED ARE AVAILABLE ON ALL FIXTURES; THE FOLLOWING INSTRUCTIONS MAY NOT APPLY. CONTACT SUPPORT FOR ADDITIONAL DETAILS.

Exterior Maintenance: Inspect the exterior every 30-days. The unit must be powered off/disconnected. Inspect optics to determine if the lens is obstructed, then clean optics and chassis accordingly. Based on initial finding, schedule maintenance accordingly, keeping in mind that exterior maintenance will be required. Even if the luminaires are NOT in use, maintenance will still be needed given its location (exterior use). The use of a durable type of wax on the chassis is recommended since it will help prevent contaminant build up. Inspect both power and data lines for any signs of contaminants or corrosion. Periodically reapply di-electric grease, especially in coastal environments. If any signs of corrosion/contaminants are present, clean thoroughly, and/or replace connectors, then reapply di-electric grease. Typically, this should be done annually, or any time an opportunity presents itself. As a preventive measure, annual replacement of both vent valves is recommended. The vent valve membrane can become contaminated and/or clogged causing improper venting of humidity within the luminaire. Inspect all mounting hardware as a precaution.

Interior Maintenance: Inspect the interior every 30-days. The unit must be powered off/disconnected.

- Inspect zoom/focus mechanism, clean optics, lubricate linear bearings (Krytox oil) as needed, inspect belts for wear
- Inspect all rotating effect wheels, manually rotate them, note any resistance
- Inspect all remaining rotating belts for any wear
- Inspect all fans, clean as needed, check rotation, check connections
- Inspect CMY module, manually move flags and check for signs of resistance, and if needed, clean guide rods first, then reapply a thin layer of grease (moly lube)
- Clean interior with low-volume compressed air, then clean optics prior to reassembly of head covers

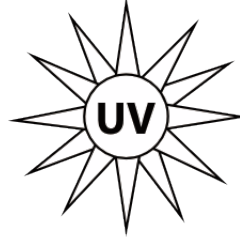
Although the base has limited moving parts, the pan belt should also be inspected for wear. Remember to always perform an IP test anytime a cover is removed.

There is no specific time frame regarding the routine replacement of parts such as belts/stepper motors, PCBs, or LEDs. These items should only be replaced on an as needed bases, except for cooling fans, which should be replaced once the luminaries reach 10,000-hours. This is a prophylactic measure intended to keep the unit running as cool as possible, insuring proper function of all internal components. A complete service breakdown is available, please contact service@adj.com for any needed parts or manuals.

SAFETY PRECAUTIONS



HIGH INTENSITY ULTRAVIOLET LIGHT



**AVOID DIRECT EYE & SKIN EXPOSURE.
WEAR PROPER EYE & SKIN PROTECTION.
SEE MANUAL FOR SAFETY INSTRUCTIONS.**

RISK GROUP 3-RISK OF EXPOSURE TO ULTRAVIOLET UV RADIATION!

FIXTURE EMITS HIGH INTENSITY WAVELENGTH OF ULTRAVIOLET UV LIGHT FROM THE UV COLOR FILTER.

WEAR PROPER EYE AND SKIN PROTECTION. AVOID PROLONGED PERIODS OF EXPOSURE TO UV COLOR FILTER.

AVOID WEARING WHITE COLOR CLOTHING AND/OR USING UV PAINTS ON SKIN. AVOID DIRECT EYE AND/OR SKIN EXPOSURE AT DISTANCES LESS THAN 11 feet (3.3m).

DO NOT OPERATE FIXTURE WITH DAMAGED/MISSING EXTERNAL COVERS.

DO NOT LOOK DIRECTLY INTO THE UV LIGHT AND/OR VIEW UV LIGHT DIRECTLY WITH OPTICAL INSTRUMENTS THAT MAY CONCENTRATE THE LIGHT/RADIATION OUTPUT.

INDIVIDUALS SUFFERING FROM A RANGE OF EYE CONDITIONS, SUNLIGHT EXPOSURE DIS-ORDERS, OR INDIVIDUALS USING PHOTSENSITIVE MEDICATION, MAY RECEIVE DISCOMFORT IF EXPOSED TO THE ULTRAVIOLET UV LIGHT EMITTED FROM THE UV LED.

SAFETY PRECAUTIONS



PROTECTION CLASS 1-FIXTURE MUST BE PROPERLY GROUNDED.



THERE ARE NO USER SERVICEABLE PARTS INSIDE THIS UNIT. DO NOT ATTEMPT ANY REPAIRS YOURSELF, AS DOING SO WILL VOID YOUR MANUFACTURER'S WARRANTY. DAMAGES RESULTING FROM MODIFICATIONS TO THIS FIXTURE AND/OR THE DISREGARD OF SAFETY INSTRUCTIONS AND GUIDELINES IN THIS MANUAL VOID THE MANUFACTURER'S WARRANTY AND ARE NOT SUBJECT TO ANY WARRANTY CLAIMS AND/OR REPAIRS.



**NEVER LOOK DIRECTLY INTO THE LIGHT SOURCE!
RETINA INJURY RISK-MAY INDUCE BLINDNESS!
SENSITIVE PERSONS MAY SUFFER AN EPILEPTIC SHOCK!**

- **Maximum ambient operating temperature is -4°F to 113°F (-20°C to 45°C)!**
- DO NOT TOUCH the fixture housing during operation. Disconnect the power and allow approximately 15 minutes for the fixture to cool down before servicing.
- DO NOT shake the fixture, and avoid brute force when installing and/or operating the fixture.
- DO NOT operate the fixture if the power cord has become frayed, crimped and/or damaged. If the power cord is damaged, replace immediately with a new one of the same power rating.
- DO NOT attempt to remove or break off the ground prong from the electrical cord. This prong is used to reduce the risk of electrical shock and fire in case of an internal short.
- DO NOT attempt to operate this unit if it has been damaged in any way.
- Disconnect from main power before making any type of connection.
- DO NOT block any air ventilation slots. All fan and air inlets must remain clean and never blocked. Allow approx. 6" (15cm) between fixture and other devices or a wall for proper cooling.
- Always be sure to mount this unit in an area that will allow proper ventilation. Allow about 6" (15cm) between this device and a wall.
- DO NOT remove the cover for any reason.
- When installing fixture in a suspended environment, always use mounting hardware that is no less than M10 x 25mm, and always install fixture with an appropriately rated safety cable.
- Never plug this unit in to a dimmer pack.
- During long periods of non-use, disconnect the unit's main power.
- Always mount this unit in safe and stable matter.
- Power-supply cords should be routed so that they are not likely to be walked on or pinched by items placed upon or against them, paying particular attention to the point where they exit from the unit.
- Cleaning-The fixture should be cleaned only as recommended by the manufacturer.
- Heat-The appliance should be situated away from heat sources such as radiators, heat registers, stoves, or other appliances (including amplifiers) that produce heat.
- The fixture should be serviced by qualified service personnel when:
 - A. The power-supply cord or the plug have been damaged.
 - B. Objects have fallen onto, or liquids have been spilled into, the fixture.
 - C. The fixture does not appear to operate normally or exhibits a marked change in performance.
 - D. The fixture has fallen and/or has been subjected to extreme handling.

BATTERY WARNINGS

HANDLING PRECAUTIONS

Do not short circuit the battery. Avoid subjecting the battery to a short circuit, as doing so generates a very high current, resulting in overheating, electrolyte gel leakage, harmful fumes, explosion risk, or other damage to the battery.

Mechanical shock. Dropping, impacting, striking, or bending the unit, or subjecting the unit to any other types of mechanical shock may cause failure or shortend life of the battery.

Do not disassemble the batteries. Never disassemble the batteries, as doing so may result in an internal short circuit in the battery, leading to fire, explosion, release of harmful fumes, or other hazards. Electrolyte gel is harmful, and contact should be avoided whenever possible. Should the electrolyte gel come into contact with the skin or eyes, flush the area of contact immediately with fresh water and seek medical attention immediately.

Do not expose battery to heat or fire. Never incinerate or dispose of the batteries in fire, as this could result in an explosion.

Do not exposure the battery to water or liquids. Never expose or immerse the batteries in liquids of any type, including water, seawater, soft drinks, juices, coffee, or other beverages.

Battery Replacement. For battery replacement please contact customer support.

Never use a damaged battery. Shipping carries a risk of damage to the battery. Should damage be observed, including damage to the plastic casing of the battery, deformation of the battery package, chemical or electrolyte odor, or leakage of the electrolyte gel, or any other miscellaneous damage, **DO NOT use the battery.** A battery with a odor of electrolyte or a gel leakage should be placed away from fire to avoid risk of fire or explosion.

Battery Storage. The battery should be stored at room temperature, with a charge of at least 50%. During long periods of storage, it is recommended that the battery be charged every 6 months. Doing so will prolong the life of the battery and will also make sure that the battery charge does not fall below the 30% mark.

Other Chemical Reactions. Because batteries rely on a chemical reaction to work, battery performance will deteriorate over time, even if stored for a long period of time without being used. In addition, if various usage conditions (such as charge, discharge, ambient temperature, etc.) are not maintained within the specified ranges, the life expectancy of the battery maybe shortened or the device in which the battery is used may be damaged by electrolyte gel leakage. If the batteries cannot maintain a charge for long periods of time, even when they are charged correctly, this may indicate the need to replace the battery.

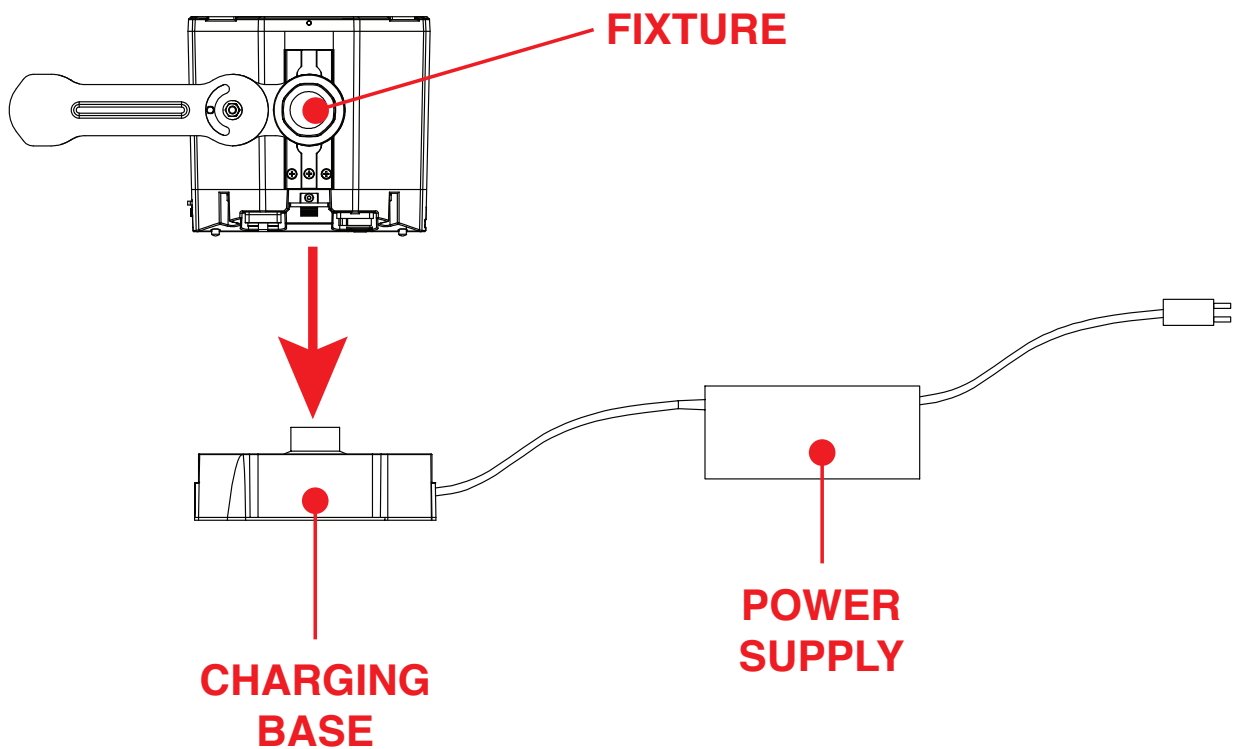
Battery Disposal. Please dispose of battery according to local regulations.

BATTERY CHARGING

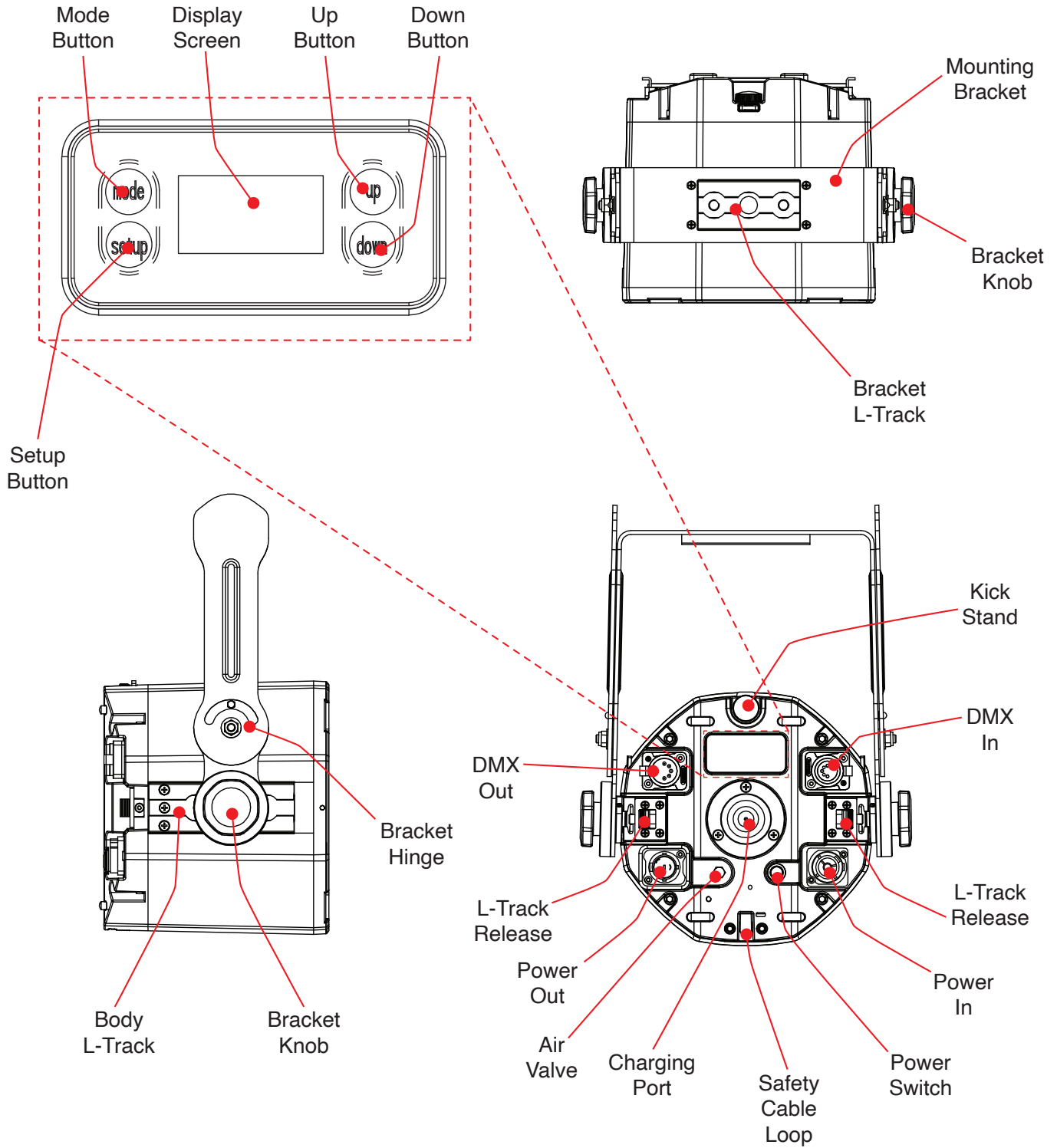
The fixture may be charged directly using AC power, or using the optional charging base and power supply (sold separately). Connect the power supply to a power source on one end, and to the charging base on the other, then slot the fixture onto the charging base with the charging port side facing downwards. Refer to the image below.

It is recommended to disconnect the unit from the charger once the battery has reached full charge. Doing so reduces the risk of overcharging the battery, which can shorten the service life of the battery.

Please note that the charging components are NOT protected against the intrusion of dust and/or water, and are intended for use only in a dry indoor environment. Do NOT expose to rain or moisture. When charging is complete, always seal the charging port with the included plug to maintain the fixture's IP rating.



OVERVIEW



INSTALLATION GUIDELINES



DO NOT INSTALL THE FIXTURE IF YOU ARE NOT QUALIFIED TO DO SO!

Fixture **MUST** be installed following all local, national, and country commercial electrical and construction codes and regulations.

When installing the unit, the trussing or area of installation must be able to hold 10 times the weight of the unit and any attached accessories without any deformation. The unit must be secured with a secondary safety attachment, e.g. an appropriately-rated safety cable.

Before rigging/mounting a single fixture to any metal truss/structure or placing the fixture(s) on any surface, a professional equipment installer **MUST** be consulted to determine if the metal truss/structure or surface is properly certified to safely hold the combined weight of the fixture(s), clamps, cables, and accessories.

Ambient operating temperature range is **-4°F to 113°F (-20°C to 45°C)**. Do not operate this device when ambient temperature falls outside this range!

Fixture(s) should be installed away from walking paths, seating areas, or areas where unauthorized personnel might reach the fixture by hand.

NEVER stand directly below the fixture(s) when rigging, removing, or servicing.

Overhead fixture installation must always be secured with a secondary safety attachment, such as an appropriately rated safety cable that can hold 10 times the weight of the fixture.

Overhead mounting requires extensive experience, including calculating working load limits, knowledge of installation material being used, and periodic safety inspection of all installation material as well as the unit itself. If you lack these qualifications, do not attempt the installation yourself.

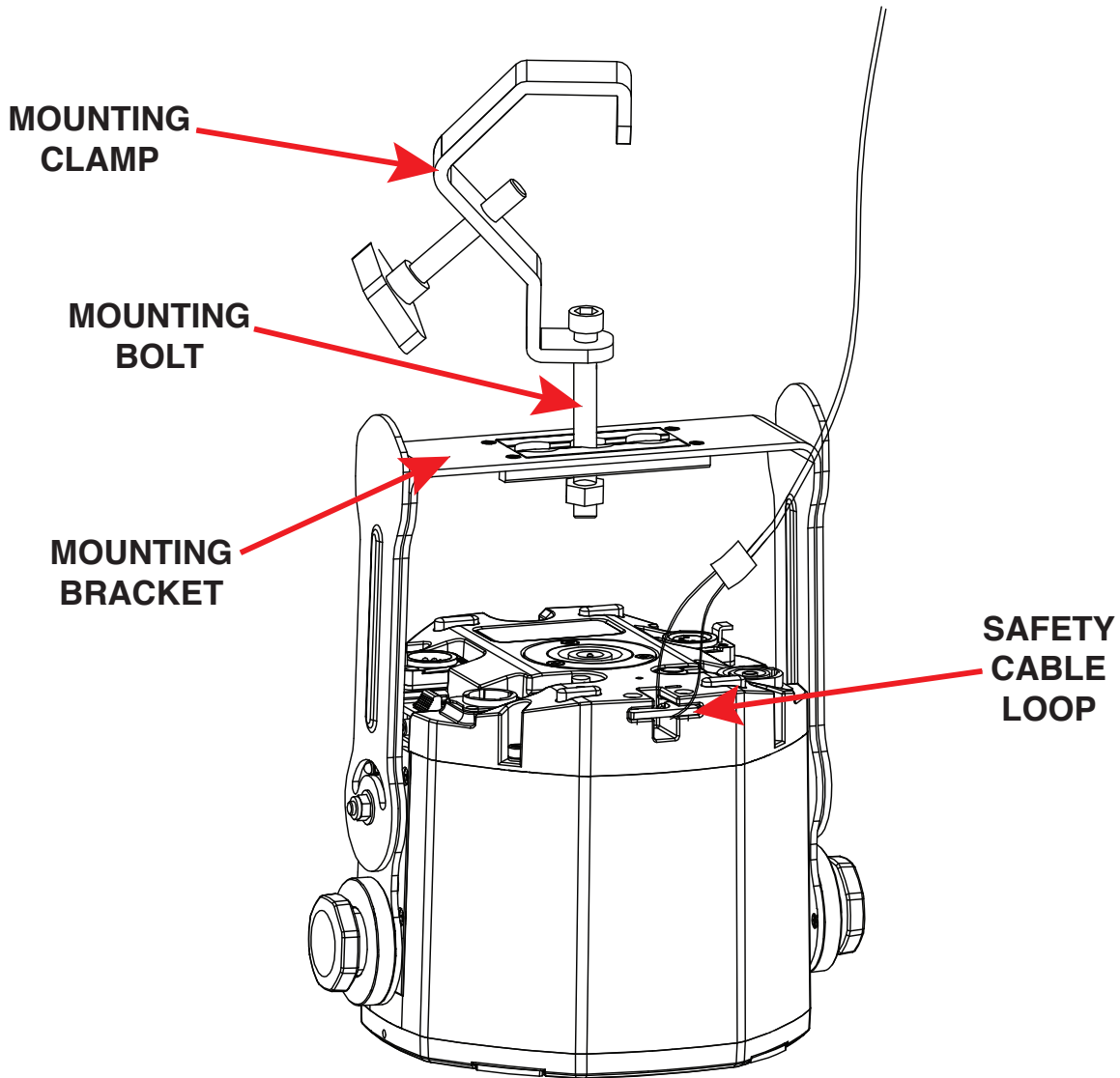
The installation should be checked by a skilled person once a year.

Please note that this device features an alarm system that, if set and activated, will be triggered by any movement of the device, including knocking over the device. The alarm will sound and the device will strobe red for the amount of time that was set in the “Alarm Time” setting, but will automatically stop when the device is returned to its place. Please be aware of this feature in the event that you decide to re-locate or re-position the device after the initial setup!

INSTALLATION GUIDELINES

CLAMP MOUNTING

When mounting the fixture to a truss or any other suspended structure, be sure to secure an appropriately rated clamp to the hole on the top of the mounting bracket. Insert a bolt of appropriate size through the bottom of the mounting clamp and the hole on the mounting bracket, and secure them together with a matching nut. Additionally, a safety cable of the appropriate weight rating should be secured through the safety cable loop on the rear of the unit.



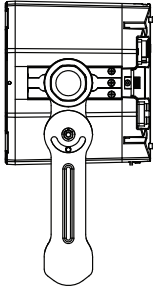
SAFETY CABLE:

ALWAYS ATTACH A SAFETY CABLE WHENEVER INSTALLING THIS FIXTURE IN A SUSPENDED ENVIRONMENT TO ENSURE THAT THE FIXTURE WILL NOT FALL IF THE CLAMP FAILS.

INSTALLATION GUIDELINES

STAND MOUNTING

This unit can also be installed atop a tripod stand. Simply secure the Omega bracket to the bottom face of the device, then insert the threaded bolt on the top of the tripod stand through the hole in the Omega bracket. Tighten the nut onto the threaded bolt to secure the mounted device in place.



CAUTION!

MAKE SURE THAT THE TRIPOD LEGS AND ALL TELESCOPING ELEMENTS OF THE TRIPOD STAND ARE LOCKED IN PLACE BEFORE INSTALLING THE DEVICE ATOP THE STAND!

**POSITION THE TRIPOD STAND AND MOUNTED DEVICE ONLY ON FLAT, STABLE SURFACES!
DEPLOY TRIPOD LEGS FULLY IN ORDER TO MAXIMIZE STABILITY!**

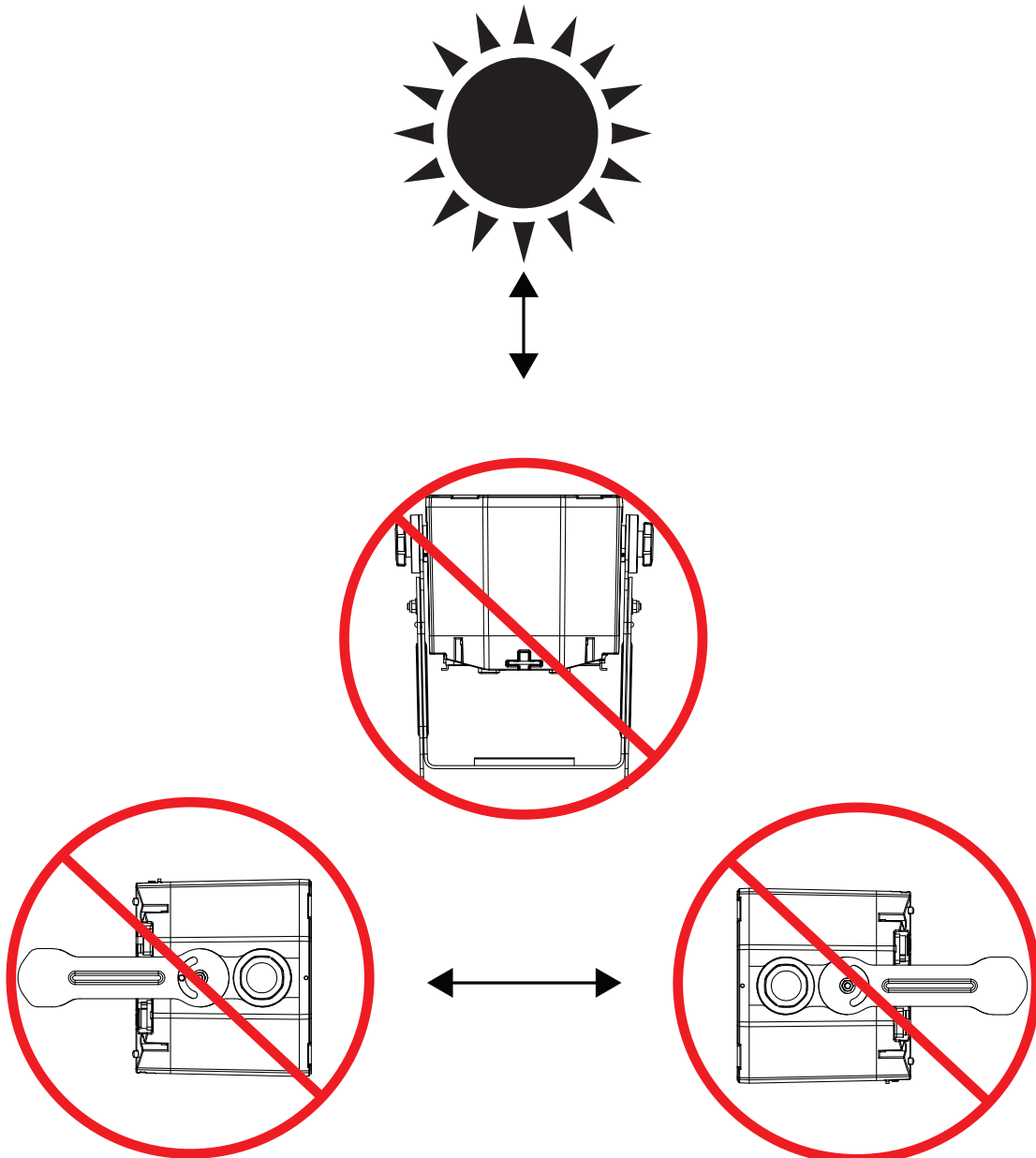
INSTALLATION GUIDELINES

POTENTIAL INTERNAL FIXTURE DAMAGE FROM EXTERNAL SOURCES OF LIGHT BEAMS

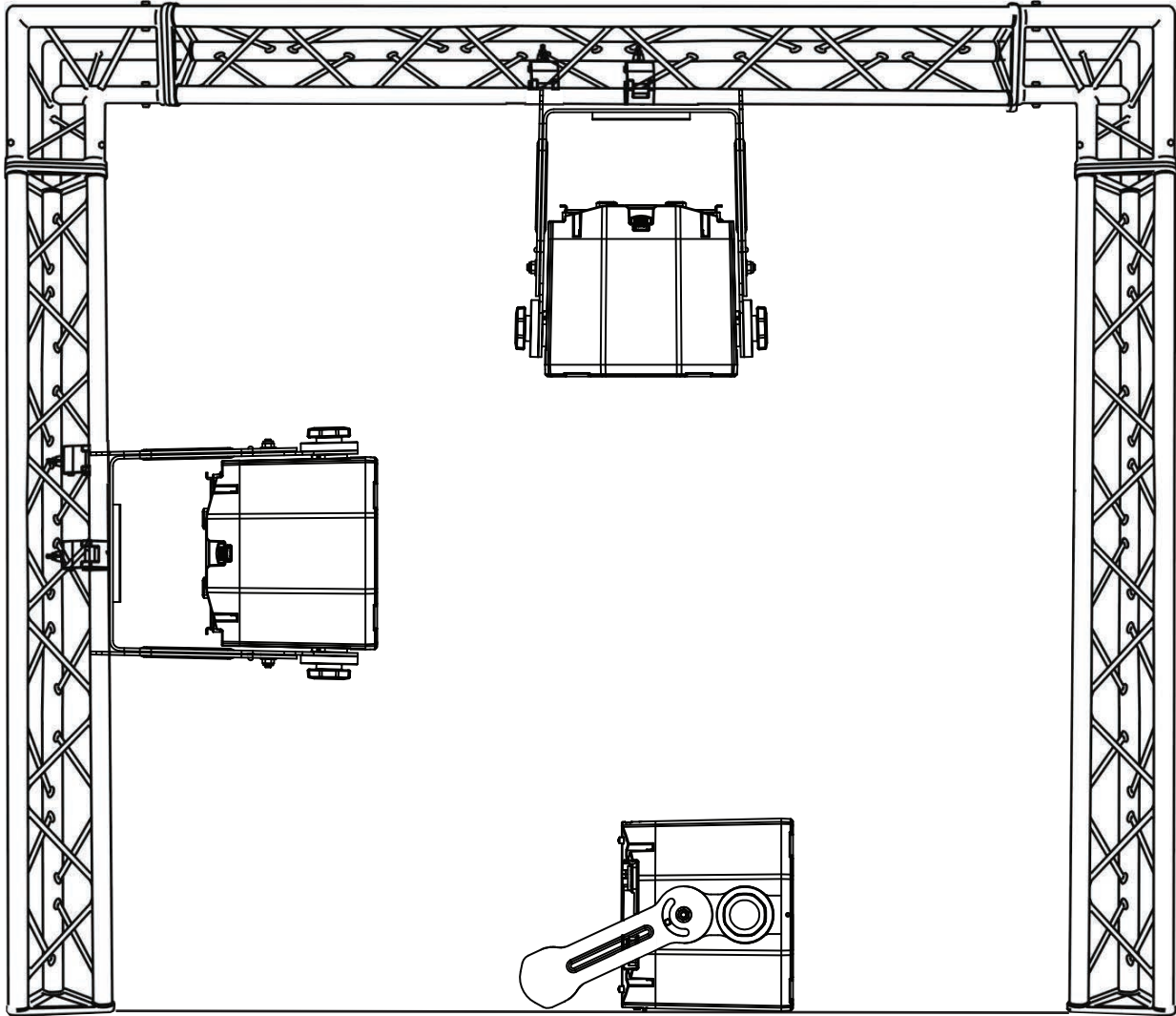
External sources of light beams from direct sunlight, lighting moving head fixtures, and lasers, which are focused directly towards the exterior housing and/or penetrate the front lens opening of ADJ lighting fixtures, can cause severe internal damage including burning to optics, dichroic color filters, glass and metal gobos, prisms, animation wheels, frost filters, iris, shutters, motors, belts, wiring, discharge lamps, and LEDs.

This issue is not specific only to ADJ lighting fixtures, it is a common issue with lighting fixtures from all manufacturers. Although there is no true way to fully prevent this issue from happening, the guidelines below can prevent any potential damage from occurring if followed. Contact ADJ Service for more details.

DO NOT EXPOSE THE FIXTURE AND/OR FRONT LENS OPENING TO LIGHT BEAMS FROM DIRECT SUNLIGHT, OTHER LIGHTING MOVING HEAD FIXTURES, AND LASERS WHILE UNPACKING, INSTALLATION, USE, AND EXTENDED IDLE TIMES OUTDOORS. DO NOT FOCUS A LIGHT BEAM FROM ONE LIGHTING FIXTURE DIRECTLY TOWARDS ANOTHER.



INSTALLATION GUIDELINES



The unit is fully operational in three different mounting positions: hanging upside-down from the ceiling or trussing, sideways on trussing, or set on a flat level surface. Be sure this fixture is kept at least 12m (40ft) away from any flammable materials (decorations, etc). Always use and install a safety cable (not included) as a safety measure to prevent accidental damage and/or injury in the event the clamp fails. Never use the carrying handles for secondary attachment.



FALLING FIXTURES CAN CAUSE SEVERE INJURY OR SERIOUS EQUIPMENT DAMAGE! FOR THIS REASON, FIXTURES SHOULD BE INSTALLED AND INSPECTED ONLY BY QUALIFIED PERSONNEL. DO NOT INSTALL THE UNIT IF YOU LACK THE QUALIFICATIONS TO DO SO, OR IF YOU HAVE DOUBTS ABOUT THE SAFETY AND SECURITY OF THE INSTALLATION SETUP OR LOCATION!



ALWAYS ATTACH A SAFETY CABLE WHENEVER INSTALLING THIS FIXTURE IN A SUSPENDED ENVIRONMENT TO ENSURE THAT THE FIXTURE WILL NOT FALL IF THE CLAMP FAILS.

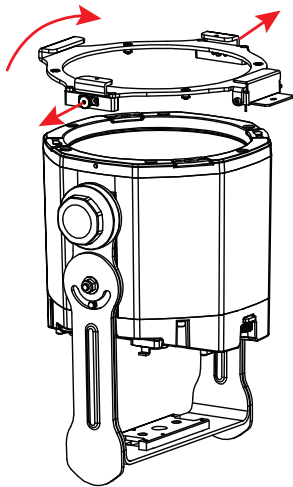


IF THE UNIT IS FITTED WITH THE OPTIONAL GEL FRAME OR BARNDOORS, THE UNIT MUST BE INSTALLED WITH THE LATCH FACING UPWARD TO ENSURE THAT THESE ACCESSORIES DO NOT FALL IF THE LATCH FAILS.

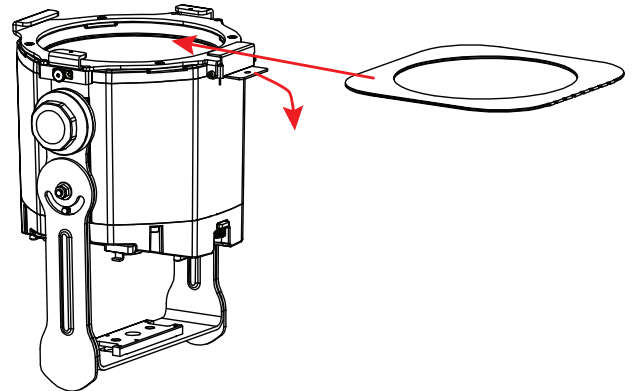
ACCESSORY INSTALLATION

GEL HOLDER

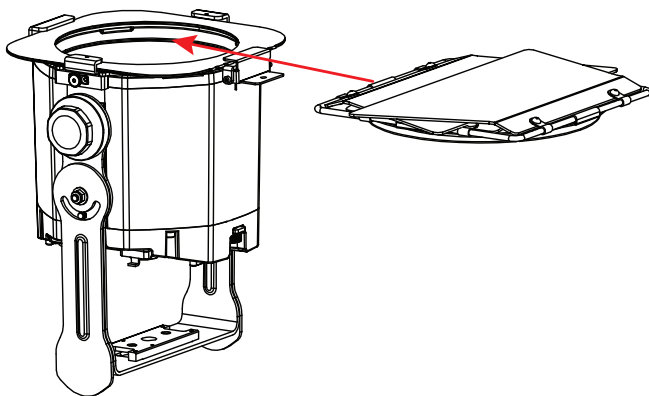
1. Lower the Gel Holder onto the fixture's lens frame. Pull out on the two gel holder pin tabs, then rotate the Gel Holder into place so that the pin tabs align with the matching holes on the fixture. Release the pin tabs to lock the Gel Holder in place.



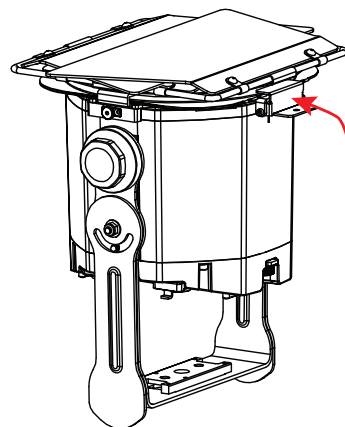
2. Flip open the frame latch, and insert the Gel Frame into the Gel Holder.



3. Insert the Barndoors into the Gel Holder, making sure that the Barndoors lie on top of the Gel Frame.



4. Close the frame latch to secure both the Gel Frame and the Barndoors in place. **Please note that the unit should be installed with the latch facing upward to ensure that the accessories do not fall in the event that the latch fails.**

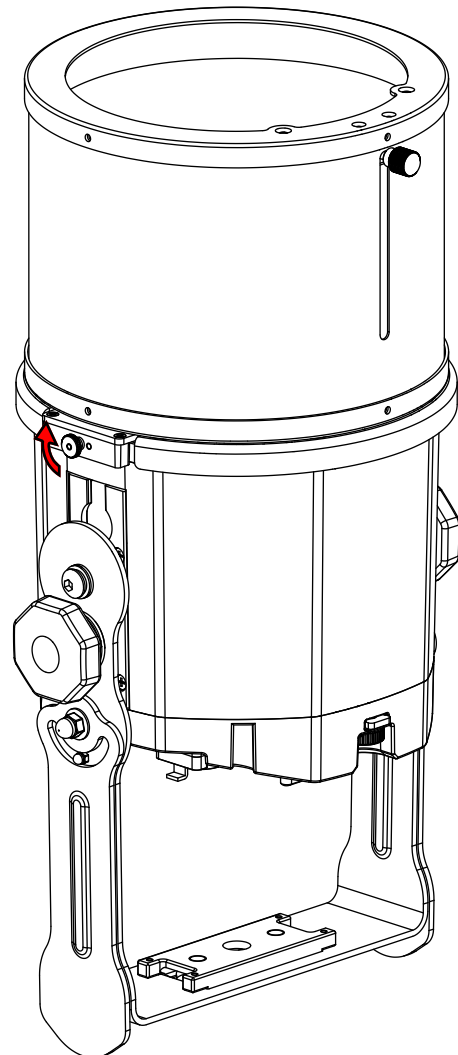
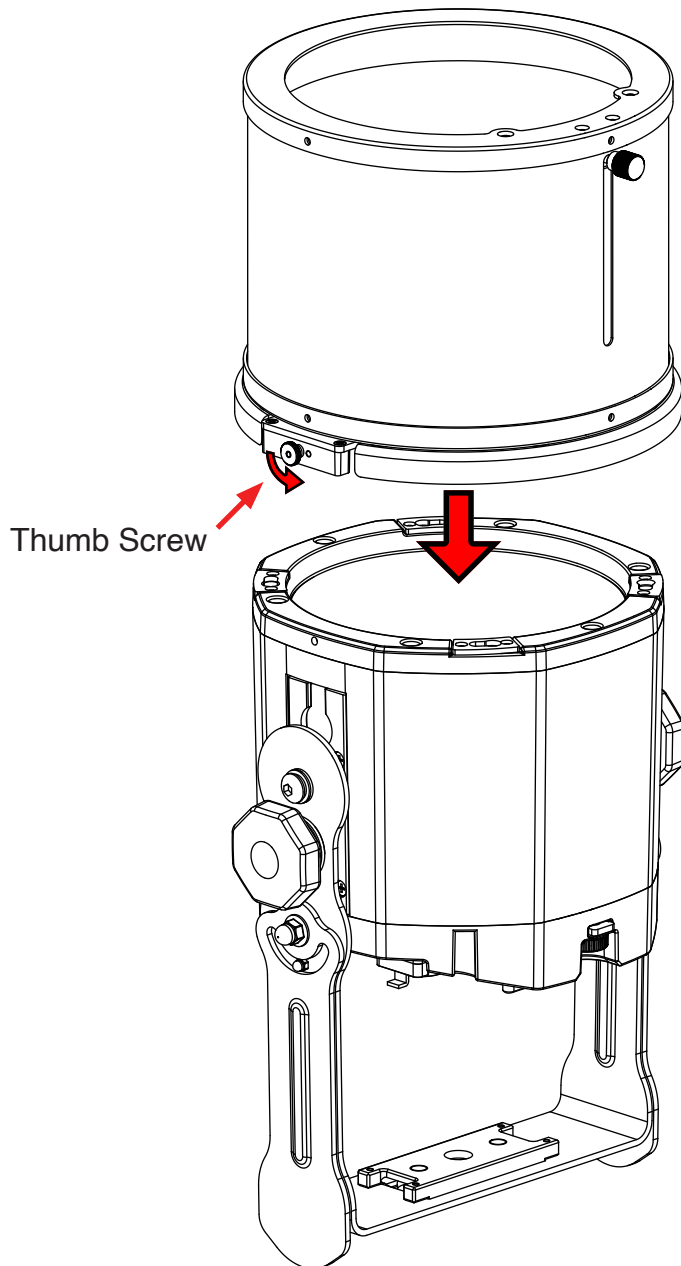


ACCESSORY INSTALLATION

EPIX P7 SNOOT

1. Loosen the 2x Thumb Screws on the collar of the Epix FX Snoot, then place the Snoot on the lens frame of the fixture.

2. With the Epix FX Snoot in place, secure the 2x Thumb Screws.

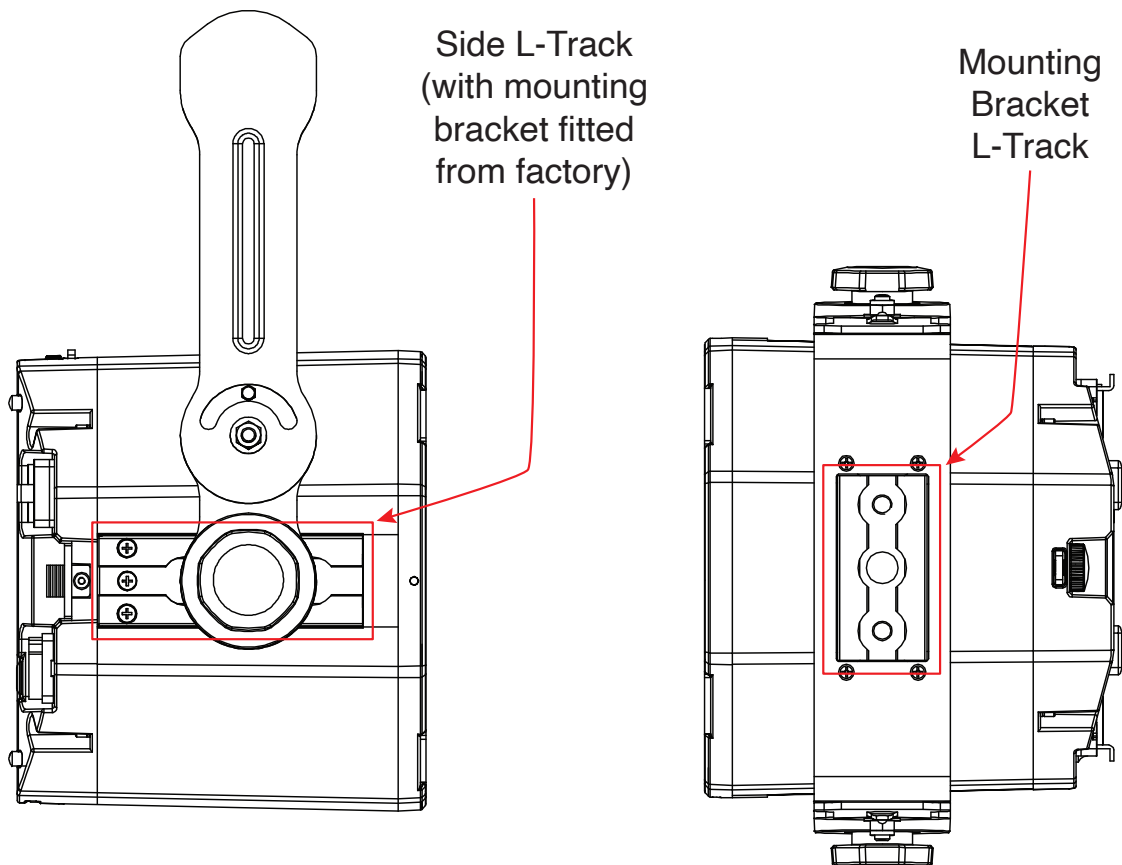
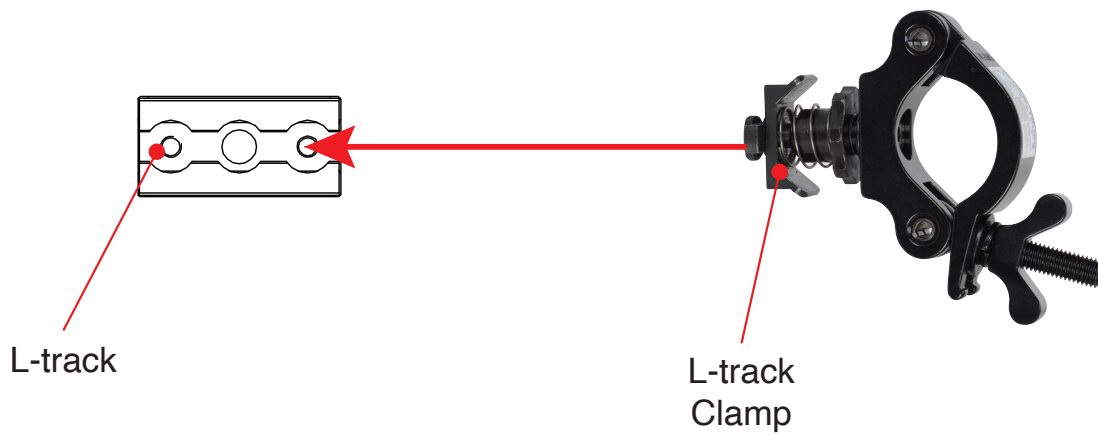


ACCESSORY INSTALLATION

L-TRACK MOUNTING

Alternately, this unit's L-track mounting system allows the user to slide the mounting clamps along the tracks and lock them down in the desired position. The L-tracks are located on the mounting bracket and along the sides of the unit's body. Special L-track mounting clamps, which incorporate an L-track attachment rail in place of a mounting bolt hole, are available in both regular and extended lengths. Similarly, L-track adapters are also available which can be fitted to any standard mounting clamp.

To attach an L-track clamp or adapter, simply insert the attachment rail into the matching track on the fixture, slide to its desired location, and tighten the fastener knob on the attachment to secure in place.



REMOTE DEVICE MANAGEMENT (RDM)

NOTE: In order for RDM to work properly, RDM enabled equipment must be used throughout the entire system, including DMX data splitters and wireless systems.

Remote Device Management (RDM) is a protocol that sits on top of the DMX512 data standard for lighting, allowing the DMX systems of the fixtures to be modified and monitored remotely. This protocol is ideal for instances in which a unit is installed in a location that is not easily accessible.

With RDM, the DMX512 system becomes bi-directional, allowing a compatible RDM enabled controller to send out a signal to devices on the wire, as well as allowing the fixture to respond (known as a *GET* command). The controller can then use its *SET* command to modify settings that would typically have to be changed or viewed directly via the unit's display screen, including the DMX Address, DMX Channel Mode, and Temperature Sensors.

FIXTURE RDM INFORMATION:

RDM Code	Device ID	Device Model ID	Personality ID
1900	000000-FFFFFF	2507	5Ch, 6Ch, 7Ch, 9Ch, 12Ch, 13Ch, 22Ch, 24Ch, 42Ch, 45Ch, 60Ch

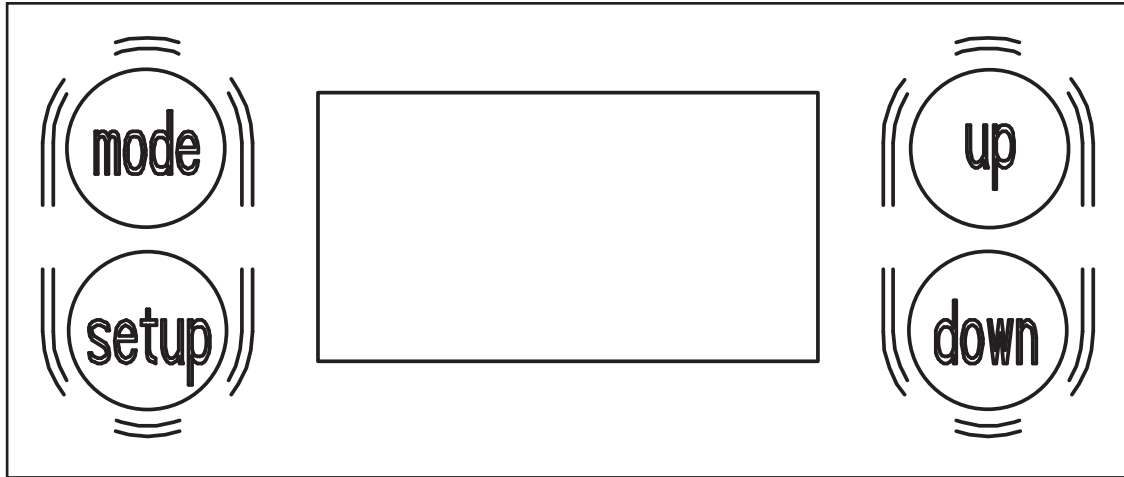
Please be aware that not all RDM devices support all RDM features, and therefore it is important to check beforehand to ensure that the equipment that you are considering includes all of the features that you require.

[0x0001] Disc Unique Branch
[0x0002] Disc Mute
[0x0003] Disc Un Mute
[0x0050] Supported Parameters
[0x0060] Device Info
[0x0081] Manufacturer Label
[0x0082] Device Label
[0x00C0] Software Version Label
[0x00E0] DMX Personality
[0x00F0] DMX Start Address
[0x0201c] Sensor Value
[0x0343] Curve
[0x0344] Curve Description
[0x1000] Identify Device
[0x0141] DMX Fail Mode

SYSTEM MENU

This unit features a display screen with a 4-button control pad, which can be used to easily adjust any device settings.

Pressing the MODE button will cycle through the various Main Menu options. When the desired Main Menu option is displayed on the screen, press the SETUP button to enter the sub-menu, then use the UP and DOWN buttons to scroll through sub-menu options. In some cases, there will be a second sub-menu that can be navigated in the same way.



SCREEN LOCK

The control panel screen will lock after a period of inactivity, which is set to 30 seconds by default. This setting can be changed by navigating to Personality > Display > Touch Screen Lock in the system menu. To unlock the screen, press and hold any spot on the display screen for 3 seconds.

SYSTEM MENU-ENGLISH

MAIN MENU	OPTIONS / VALUES (Default Settings in BOLD)		DESCRIPTION	
DMX SETTINGS	DMX Address	001 -512	Set DMX address	
	DMX Channel Mode	5ch, 6ch, 7ch, 9ch, 12ch, 13ch, 22ch , 24ch, 42ch, 45ch, 60ch	Select DMX channel mode	
	No DMX Status	Hold Last		Fixture holds last settings received if DMX signal is lost
		Blackout		Fixture takes all parameters to zero if DMX signal is lost
		Manual Settings		Fixture defaults to preset manual settings if DMX signal is lost
Internal Programs			Fixture defaults to preset internal program if DMX signal is lost	
PERSONALITY	Prim / Sec Mode	Primary / Secondary	Set unit as a primary or a secondary	
	Select Signal	DMX or Aria	Select signal source	
		Enable Aria In and Physical DMX Out		ON / OFF
		Enable DMX In and Aria Out		ON / OFF
	Aria Settings	Enable Aria	ON / OFF	Enable or disable Aria
		Frequency	2.4Ghz , Sub-G US, Sub-G EU	Select operating frequency for Aria
		Aria 2.4Ghz Channel	00 ~15	Select Aria channel for 2.4Ghz
		Sub-G CH	00 ~09	Select Aria channel for 900Mhz
		Mesh	ON / OFF	Enable or disable Aria mesh
		Bluetooth Enable	ON / OFF	Enable or disable Bluetooth
	RDM	ON / OFF	ON / OFF	
	Dim Modes	Standard , Stage, TV, Architectural, Theatre, Stage 2		ON / OFF
		Dim Delay	0-99	
Dim Curves	Square , Linear, Inv.Squa, S.Curve		Select dim curve	
IR Functions	ON / OFF		Enable or disable remote control	

SYSTEM MENU-ENGLISH

MAIN MENU	OPTIONS / VALUES (Default Settings in BOLD)		DESCRIPTION		
PERSONALITY	IR Button Colors	Button 0	Red	000-255	Configure color settings for IR remote buttons
			Green	000-255	
			Blue	000-255	
			Amber	000-255	
			Lime	000-255	
			UV	000-255	
		
		Button 15	Red	000-255	
			Green	000-255	
			Blue	000-255	
			Amber	000-255	
			Lime	000-255	
	UV		000-255		
	Pixel Flip	Pixel Flip 1 , Pixel Flip 2, Pixel Flip 3, Pixel Flip 4		Select pixel flip mode	
	LED Refresh	900, 1000, 1100, 1200 , 1300, 1400, 1500, 2500, 4000, 5000, 10k, 15k, 20k, 25k		Set LED refresh frequency	
	Display	Screen Saver Delay	OFF, 1- 10 seconds		Screen goes to sleep after selected period of inactivity
		Touch Screen Lock	OFF - 30 seconds , 1 minute		Screen locks after selected period of inactivity
		Rotate Display 180°	YES / NO		Flip display screen orientation
	Language	Passcode (050)	English / Spanish		Select language
	Alarm	Passcode (011)	ON / OFF		Unit alarm trips when unit is moved
Alarm Time			10s , 20s, 30s, 40s, 60s		
Service	Passcode (050)	White Balance	Red	000-255	Effect Adjustments
			Green	000-255	
			Blue	000-255	
			Amber	000-255	
			Lime	000-255	
			UV	000-255	
		Color Calibration	Enable / Disable		When disabled, unit outputs full potential for all RGBAL+UV colors
		DMX Indicators	Enable / Disable		Enable or disable DMX indicators
Charging Indicators	Enable / Disable		Enable or disable charging indicators		
Factory Restore	YES / NO		Return unit to factory default settings		
MANUAL CONTROL	Red	000-255		Manually configure each parameter	
	Green	000-255			
	Blue	000-255			
	Amber	000-255			
	Lime	000-255			
	UV	000-255			
	RGBAL+UV Color Macros	000 -255			
	Background Red	000 -255			
	Background Green	000 -255			
	Background Blue	000 -255			

SYSTEM MENU-ENGLISH

MAIN MENU	OPTIONS / VALUES (Default Settings in BOLD)		DESCRIPTION	
MANUAL CONTROL	RGB Background Color Macros	000-255	Manually configure each parameter	
	Color Temperature 2300-9900K Linear	000-255		
	Color Temp Presets	Off , 2300k, 2400k, 2500k, 2600k... 9900k		
	Shutter	000-255		
	Dimmer	000-255		
	Internal Programs	Off , Prog 0, Prog 1... Prog 13		
	Internal Programs Speed	000-255 0-255 (127)		
	Internal Programs Fade	000-255 0-255 (0)		
	RGB Background Programs	000-255		
	RGB Background Programs Speed	000-255		
	RGB Background Programs Fade	000-255		
INTERNAL PROGRAMS	Program 0	Speed	1-255 (127)	Select and configure internal programs
		Fade	0-255 (0)	
	Program 1	Speed	1-255 (127)	
		Fade	0-255 (0)	
	Program 2	Speed	1-255 (127)	
		Fade	0-255 (0)	
	Program 3	Speed	1-255 (127)	
		Fade	0-255 (0)	
	
	Program 13	Speed	1-255 (127)	
Fade		0-255 (0)		
INFORMATION	LED Temperature	xxx F / xxx C	Display current temperature	
	Software Version	x.xx	Display current software version	
	RDM UID	xxxxxx	Display current RDM universe ID	
BATTERY	Charging Time	xx hours	Time left til full charge	
	Current Life	xxx%	Remaining battery charge	
	Operation Mode	5 Hr ~ 20 Hr	Select battery mode. Please note that the light output will gradually decrease over time to match the chosen runtime.	

SYSTEM MENU-SPANISH

MENÚ PRINCIPAL	OPCIONES / VALORES (Configuración predeterminada en NEGRITA)		DESCRIPCIÓN		
CONFIGURACION DMX	Direccion DMX	001-512	Set DMX address		
	Modo Canales DMX	5ch, 6ch, 7ch, 9ch, 12ch, 13ch, 22ch , 24ch, 42ch, 45ch, 60ch	Seleccionar el modo de canal DMX		
	Estado DMX	Tener Ultimo		El dispositivo conserva la última configuración recibida si se pierde la señal DMX	
		Apagon		El dispositivo lleva todos los parámetros a cero si se pierde la señal DMX	
		Configuracion Manual		El dispositivo predeterminado es la configuración manual preestablecida si se pierde la señal DMX	
Programas Internos		El dispositivo predeterminado es el programa interno preestablecido si se pierde la señal DMX			
PERSONALIDAD	Primario / Secundario	ON / OFF		Establecer la unidad como principal o secundaria	
	Activar la Señal	DMX o Aria		Seleccionar fuente de señal	
		Activar Aria In y DMX Out	ON / OFF		
		Activar DMX In y Aria Out	ON / OFF		
	Configuracion Aria	Activar Aria	ON / OFF		Habilitar o deshabilitar Aria
		Eligir la frecuencia de radio Aria	2.4Ghz , Sub-G US, Sub-G EU		Seleccione la frecuencia de funcionamiento de Aria
		Eligir el canal Aria 2.4Ghz	00~15		Seleccione el canal Aria para 2,4 Ghz
		Eligir el canal Aria Sub-G	00~09		Seleccione el canal Aria para 900Mhz
		Eligir Mesh de Aria	ON / OFF		Habilitar o deshabilitar la malla Aria
		Activar Bluetooth	ON / OFF		Habilitar o deshabilitar Bluetooth
	RDM	ON / OFF		ON / OFF	
	Modos de Atenuacións	Estándar , Estándar, TV, Architectural, Teatro, Escenario 2		ON / OFF	
		Retardo de Atenuación	0-99		
Curva de Atenuación	Cuadrado , Lineal, Inv.Squa, S.Curve		Seleccionar curva tenue		

SYSTEM MENU-SPANISH

MENÚ PRINCIPAL	OPCIONES / VALORES (Configuración predeterminada en NEGRITA)			DESCRIPCIÓN	
PERSONALIDAD	Función de IR	ON / OFF		Habilitar o deshabilitar el control remoto	
	Colores del botón de control IR	Botone 0	Rojo	000-255	Configure color settings for IR remote buttons
			Verde	000-255	
			Azul	000-255	
			Ámbar	000-255	
			Lima	000-255	
			UV	000-255	
		
		Button 15	Rojo	000-255	
			Verde	000-255	
			Azul	000-255	
			Ámbar	000-255	
			Lima	000-255	
	UV		000-255		
	Inversión de Píxeles	Inversión 1 , Inversión 2, Inversión 3, Inversión 4		Seleccionar el modo de inversión de píxeles	
	Frecuencia de actualización de LED	900, 1000, 1100, 1200 , 1300, 1400, 1500, 2500, 4000, 5000, 10k, 15k, 20k, 25k		Establecer la frecuencia de actualización del LED	
	Monitor	Retraso del protector de pantalla	OFF, 1-10 segundos		La pantalla se apaga después del período de inactividad seleccionado
		Bloqueo de pantalla táctil	OFF - 10 minutos		La pantalla se bloquea después de un período de inactividad seleccionado
		Girar la pantalla 180°	YES / NO		Orientación de la pantalla giratoria
	Idioma	Codigo de acceso (050)	English / Español		Seleccione idioma
Alarma	Codigo de acceso (011)	On / Off		La alarma de la unidad se dispara cuando se mueve la unidad	
		Tiempo de sonido	10s , 20s, 30s, 40s, 60s		
Servicio	Codigo de acceso (050)	Ajuste de colores	Rojo	000-255	Ajustes de efectos
			Verde	000-255	
			Azul	000-255	
			Ambar	000-255	
			Lima	000-255	
			UV	000-255	
		Calibración de color	Activar o Desactivar		Cuando está deshabilitada, la unidad genera todo el potencial para todos los colores RGBAL+UV
		Indicadores DMX	Activar o Desactivar		Habilitar o deshabilitar indicadores DMX
Indicador de carga	Activar o Desactivar		Habilitar o deshabilitar los indicadores de carga		
Restauracion de fabrica	YES / NO		Devolver la unidad a la configuración predeterminada de fábrica		

SYSTEM MENU-SPANISH

MAIN MENU	OPTIONS / VALUES (Default Settings in BOLD)		DESCRIPTION
MANUAL CONTROL	Rojo	000-255	
	Verde	000-255	
	Azul	000-255	
	Ámbar	000-255	
	Lima	000-255	
	UV	000-255	
	RGBAL+UV Macro de color	000 -255	
	Fondo Rojo	000 -255	
	Fondo Verde	000 -255	
	Fondo Azul	000 -255	
	Macros de Color de Fondo RGB	000 -255	
	Temperatura de Color 2300-9900K Lineal	000 -255	
	Preajustes de Temperatura de Color	Off , 2300k, 2400k, 2500k, 2600k... 9900k	
	Estrobo	000- 255	
	Dimmer	000- 255	
	Programas Internos	Off , Prog 0, Prog 1... Prog 13	
	Velocidad de Programas Internos	000 -255	1-255 (127)
	Descolorarse de Programas Internos	000 -255	0-255 (0)
	Programas de fondo RGB	000 -255	
	Velocidad de Programas de Fondo RGB	000 -255	
Tiempo de transición Programas de Fondo RGB.	000 -255		
PROGRAMAS INTERNOS	Programa 0	Velocidad	1-255 (127)
		Descolorarse	0-255 (0)
	Programa 1	Velocidad	1-255 (127)
		Descolorarse	0-255 (0)
	Programa 2	Velocidad	1-255 (127)
		Descolorarse	0-255 (0)
	Programa 3	Velocidad	1-255 (127)
		Descolorarse	0-255 (0)
	
	Programa 13	Velocidad	1-255 (127)
		Descolorarse	0-255 (0)
	INFORMACION	Temperatura de los LED's	xxx F / xxx C
Version de software		x.xx	
RDM UID		xxxxxx	
BATERIA	Tiempo de carga	xx horas	
	Cargar	xxx%	
	Modos de operacion	5 Hr ~ 20 Hr	

UC IR REMOTE

This unit can be operated using the ADJ UC IR24 remote control. **The unit can only be controlled when it has been set to Primary mode. The unit will NOT respond to commands when it has been set to Secondary mode.** When using the UC IR to control multiple units that are operating in primary/secondary mode, follow these steps to set up the units:

1. Power on the unit, and press MODE to scroll to the “Personality” menu, then press SETUP.
2. Use the UP and DOWN buttons to scroll to “Prim/Sec Mode”. Press SETUP, then use the UP and DOWN buttons set the device to “Primary”. The unit will NOT respond to IR remote commands when it has been set to “Secondary” mode.
3. Press SETUP to confirm and return to the “Personality” menu.
4. Use UP and DOWN to scroll to “IR Function” and press SETUP.
5. Use the UP and DOWN buttons to scroll to “ON”, then press SETUP to confirm.

CONTROLS

- **On:** Fixture turns on and reverts to the last running state
- **Off:** Fixture goes into stand by mode in a blackout state.
- **Strobe:** Activates strobe mode. The strobe rate can be adjusted using the + /- buttons.
- **Sound:** This button has no defined function for this unit.
- **Color:** Activates color mode. Select a static color (0-15) using the number keys. The intensity for the set color can then be adjusted with the +/- buttons.
- **Program:** Activates program mode. Select an internal program (0-15) using the number keys. The selected program run speed can be adjusted with the +/- buttons. *Note: 13 of the 15 buttons will activate a program for this unit.*
- **+ and - buttons:** Adjusts strobe rate, mic sensitivity, intensity, or program run speed. The +/- buttons can be repeatedly pressed to increase or decrease by individual level increments, or pressed and held to quickly make large adjustments at once.
- **Number Keys (0-15):** These buttons are used to select preset static colors and internal programs. Colors stored in the number keys can be edited from the units menu if desired.



IR DEFAULT VALUES

BUTTON	RED	GREEN	BLUE	AMBER
0	255	255	255	255
1	255	0	0	0
2	0	255	0	0
3	0	0	255	0
4	255	46	0	0
5	0	255	28	0
6	17	0	75	0
7	255	83	0	63
8	0	255	52	0
9	32	0	75	22
10	0	0	0	255
11	0	114	160	0
12	100	0	97	0
13	255	255	0	255
14	0	75	136	0
15	146	0	80	0

EDITING IR BUTTON VALUES

These fixtures allow the user to create custom RGBAL+UV values and assign them to the numbered keys (0-15) on the remote control. Follow the steps below:

1. In the main system menu, press MODE to navigate to “Personality,” then press SETUP. Use the UP and DOWN buttons to scroll to “IR Button Colors,” then press SETUP again.
2. Use the UP and DOWN buttons to scroll to the number of the remote button that you would like to use. Options range from “Button 0” to “Button 15.” Press SETUP to select the button shown on the display screen.
3. Create a custom color for the button you have selected by using the UP and DOWN buttons to scroll through the color component options (Red, Green, Blue, Amber, Lime, or UV). Press SETUP to select a color component option, then use the UP and DOWN buttons to adjust the intensity of that color component option. Selectable values range from 000 to 255. Repeat this process until you have set the desired Red, Green, Blue, Amber, Lime, and UV intensities to create your custom color.

NOTE: Once you have created and assigned a custom RGBAL+UV value to a remote button, the default color for the remote button will be overridden. This means that the output color of the fixture may no longer resemble the color shown on the remote button. The only way to return to the default RGBAL+UV value is to reset the unit to the default factory settings by navigating to Personality > Service > Factory Restore.

NOTE: If multiple units have been linked in a primary-secondary set up, the custom RGBAL+UV values only need to be set up on the primary unit. The custom RGBA settings will carry over automatically to any secondary units in the system.L+UV

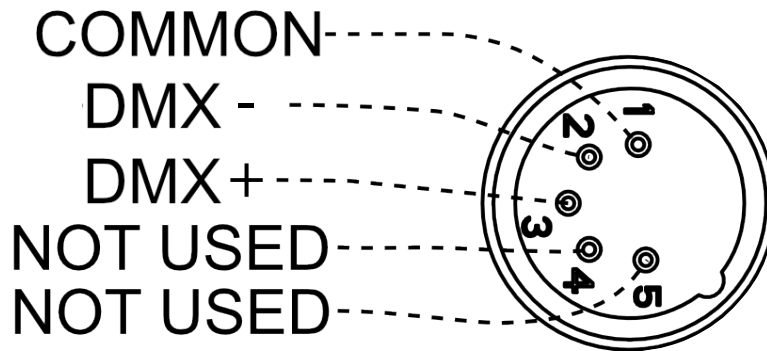
DMX SETUP

DMX-512: DMX is short for Digital Multiplex. This is a universal protocol used as a form of communication between intelligent fixtures and controllers. A DMX controller sends DMX data instructions from the controller to the fixture. DMX data is sent as serial data that travels from fixture to fixture via the DATA “IN” and DATA “OUT” XLR terminals located on all DMX fixtures (most controllers only have a DATA “OUT” terminal).

DMX Linking: DMX is a language allowing all makes and models of different manufacturers to be linked together and operate from a single controller, as long as all fixtures and the controller are DMX compliant. To ensure proper DMX data transmission, try to use the shortest cable path possible when linking several DMX fixtures. The order in which fixtures are connected in a DMX line does not influence the DMX addressing. For example, a fixture assigned a DMX address of 1 may be placed anywhere in a DMX line: at the beginning, at the end, or anywhere in the middle. When a fixture is assigned a DMX address of 1, the DMX controller knows to send DATA assigned to address 1 to that unit, no matter where it is located in the DMX chain.

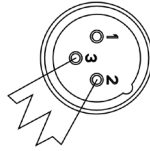
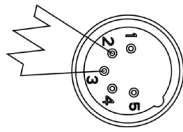
Data Cable (DMX Cable) Requirements (For DMX Operation): This unit can be controlled via DMX-512 protocol. The DMX address is set on the rear panel of the unit. Your unit and your DMX controller require a standard 5-pin XLR connector for data input and data output. We recommend Accu-Cable DMX cables. If you are making your own cables, be sure to use standard 110-120 Ohm shielded cable (This cable may be purchased at almost all pro lighting stores). Your cables should be made with a male XLR connector at one end and a female XLR connector at the other. Also remember that DMX cable must be daisy chained and cannot be split.

Notice: Be sure to follow the illustration below when making your own cables. Do not use the ground lug on the XLR connector. Do not connect the cable’s shield conductor to the ground lug or allow the shield conductor to come in contact with the XLR’s outer casing. Grounding the shield could cause a short circuit and erratic behavior.



DMX SETUP

Special Note: Line Termination. When longer runs of cable are used, you may need to use a terminator on the last unit to avoid erratic behavior. A terminator is a 110-120 ohm 1/4 watt resistor which is connected between pins 2 and 3 of a male XLR connector (DATA + and DATA -). This unit is inserted in the female XLR connector of the last unit in your daisy chain to terminate the line. Using a cable terminator (ADJ part number Z-DMX/T) will reduce the risk of erratic behavior.



A DMX512 terminator reduces signal errors, avoiding most signal reflection interference. Connect PIN 2 (DMX-) and PIN 3 (DMX+) of the last fixture in series with a 120 Ohm, 1/4 W Resistor to terminate the DMX512.

DMX ADDRESSING.

All fixtures should be given a DMX starting address when using a DMX controller, so the correct fixture responds to the correct control signal. This digital starting address is the channel number from which the fixture starts to “listen” to the digital control signal sent out from the DMX controller. The assignment of this starting DMX address is achieved by setting the correct DMX address on the digital control display on the fixture.

You can set the same starting address for all fixtures or a group of fixtures, or set different addresses for each individual fixture. Setting all fixtures to the same DMX address will cause all fixtures to react in the same way. In other words, changing the settings of one channel will affect all the fixtures simultaneously.

If you set each fixture to a different DMX address, each unit will start to “listen” to the channel number you have set, based on the quantity of DMX channels of each fixture. That means changing the settings of one channel will only affect the selected fixture.

For example, when this unit is operating in 5 channel mode, you should set the starting DMX address of the first unit to 1, the second unit to 6 (1 + 5), the third unit to 11 (1 + 5 + 5), and so on. See the chart below for more details.

CHANNEL MODE	UNIT 1 ADDRESS	UNIT 2 ADDRESS	UNIT 3 ADDRESS	UNIT 4 ADDRESS
5 Ch	1	6	11	16
6 Ch	1	7	13	19
7 Ch	1	8	15	22
9 Ch	1	10	19	28
12 Ch	1	13	25	37
13 Ch	1	14	27	40
22 Ch	1	23	45	67
24 Ch	1	25	49	73
42 Ch	1	43	85	127
45 Ch	1	46	91	136
60 Ch	1	61	121	181

DMX TRAITS

CHANNEL											DMX VALUES	FUNCTION
5Ch	6Ch	7Ch	9Ch	12Ch	13Ch	22Ch	24Ch	42Ch	45Ch	60Ch		
	1	1	1	1		1	1				000-255	All Red, 0–100%
	2	2	2	2		2	2				000-255	All Green, 0–100%
	3	3	3	3		3	3				000-255	All Blue, 0–100%
	4	4	4	4		4	4				000-255	All Amber, 0–100%
	5	5	5	5		5	5				000-255	All Lime, 0–100%
	6	6	6	6		6	6				000-255	All UV, 0–100%
								1	1	1	000-255	Red 1, 0–100%
								2	2	2	000-255	Green 1, 0–100%
								3	3	3	000-255	Blue 1, 0–100%
								4	4	4	000-255	Amber 1, 0–100%
								5	5	5	000-255	Lime 1, 0–100%
								6	6	6	000-255	UV 1, 0–100%
								7	7	7	000-255	Red 2, 0–100%
								8	8	8	000-255	Green 2, 0–100%
								9	9	9	000-255	Blue 2, 0–100%
								10	10	10	000-255	Amber 2, 0–100%
								11	11	11	000-255	Lime 2, 0–100%
								12	12	12	000-255	UV 2, 0–100%
								13	13	13	000-255	Red 3, 0–100%
								14	14	14	000-255	Green 3, 0–100%
								15	15	15	000-255	Blue 3, 0–100%
								16	16	16	000-255	Amber 3, 0–100%
								17	17	17	000-255	Lime 3, 0–100%
								18	18	18	000-255	UV 3, 0–100%
							
								37	37	37	000-255	Red 7, 0–100%
								38	38	38	000-255	Green 7, 0–100%
								39	39	39	000-255	Blue 7, 0–100%
								40	40	40	000-255	Amber 7, 0–100%
								41	41	41	000-255	Lime 7, 0–100%
								42	42	42	000-255	UV 7, 0–100%
					1	7	7			43	000-255	RGBAL+UV Color Macros, see Color Macros section
			7	7		8	8		43	44	000-255	Background Red, 0–100%
			8	8		9	9		44	45	000-255	Background Green, 0–100%
			9	9		10	10		45	46	000-255	Background Blue, 0–100%
					2	11	11			47	000-255	RGB Background Color Macros, see Color Macros section
1				10	3	12	12			48	000-255	Color Temperature 2300–9900K Linear, 0–100%

DMX TRAITS

CHANNEL											DMX VALUES	FUNCTION
5Ch	6Ch	7Ch	9Ch	12Ch	13Ch	22Ch	24Ch	42Ch	45Ch	60Ch		
2					4	13	13			49		White Color Temperature Presets
											0-22	Open
											23-99	See WCT Preset Chart
											100-255	No Function
3					11	5	14	14		50		Shutter, Strobe
											0-31	LEDs Off
											32-63	LEDs On
											64-95	Strobe effect slow to fast
											96-127	LEDs On
											128-159	Pulse-effect in sequences
											160-191	LEDs On
											192-223	Random strobe effect slow to fast
									224-255	LEDs On		
4		7		12	6	15	15			51	000-255	Dimmer (Intensity), 0-100%
5					7	16	16			52	000-255	Dimmer Fine (Intensity)
					8	17	17			53		RGBAL+UV Programs
											000-010	Off
											011-026	Auto Program 1
											027-043	Auto Program 2
											044-060	Auto Program 3
											061-076	Auto Program 4
											077-093	Auto Program 5
											094-110	Auto Program 6
											111-126	Auto Program 7
											127-143	Auto Program 8
											144-160	Auto Program 9
											161-176	Auto Program 10
											177-193	Auto Program 11
											194-210	Auto Program 12
											211-226	Auto Program 13
										54	000-255	RGBAL+UV Programs Speed, slow to fast
					10	19	19			55	000-255	RGBAL+UV Programs Fade, least to most
					11	20	20			56		RGB Background Programs
											000-010	Off
											011-026	Auto Program 1
											027-043	Auto Program 2
											044-060	Auto Program 3
											061-076	Auto Program 4
077-093	Auto Program 5											

DMX TRAITS

CHANNEL											DMX VALUES	FUNCTION	
5Ch	6Ch	7Ch	9Ch	12Ch	13Ch	22Ch	24Ch	42Ch	45Ch	60Ch			
							24				60		Dim Curves
												000-020	Square
												021-040	Linear
												041-060	Inv Squa
												061-080	S Curve
												081-255	No Function

COLOR MACROS CHART

RGBAL+UV

MACRO NO.	DMX VALUES	RED	GREEN	BLUE	AMBER	LIME	UV
Off	000	0	0	0	0	0	0
1	001-004	255	0	0	0	0	0
2	005-008	0	255	0	0	0	0
3	009-012	0	0	255	0	0	0
4	013-016	0	0	0	255	0	0
5	017-020	0	0	0	0	255	0
6	021-024	0	0	0	0	0	255
7	025-028	255	255	255	255	255	255
8	029-032	255	200	74	74	41	80
9	033-036	255	166	77	77	2	26
10	037-040	255	125	74	74	177	62
11	041-044	255	97	77	74	65	33
12	045-048	255	71	77	71	63	200
13	049-052	255	83	134	83	21	176
14	053-056	255	93	182	93	101	61
15	057-060	255	96	236	96	38	44
16	061-064	238	93	255	93	87	211
17	065-068	196	87	255	87	0	255
18	069-072	150	90	255	90	149	255
19	073-076	100	77	255	77	11	125
20	077-080	77	100	255	77	91	14
21	081-084	67	148	255	67	38	189
22	085-088	77	195	255	77	69	114
23	089-092	77	234	255	77	46	210
24	093-096	158	255	144	144	37	111
25	097-100	255	251	153	153	121	11
26	101-104	255	101	147	147	12	21
27	105-108	255	138	186	138	9	140
28	109-112	255	147	251	27	23	255
29	113-116	151	138	255	138	50	196
30	117-120	99	0	255	100	0	255
31	121-124	138	169	255	138	19	212
32	125-128	255	243	77	77	40	86
33	129-132	255	206	143	0	0	0
34	133-136	254	177	153	0	0	0
35	137-140	254	192	138	0	0	0
36	141-144	254	165	98	0	0	0

COLOR MACROS CHART

RGBAL+UV

MACRO NO.	DMX VALUES	RED	GREEN	BLUE	AMBER	LIME	UV
37	145-148	254	121	0	0	0	0
38	149-152	176	17	0	0	0	0
39	153-156	96	0	11	0	0	0
40	157-160	234	139	171	0	0	0
41	161-164	224	5	97	0	0	0
42	165-168	175	77	173	0	0	0
43	169-172	119	130	199	0	0	0
44	173-176	147	164	212	0	0	0
45	177-180	88	2	163	0	0	0
46	181-184	0	38	86	0	0	0
47	185-188	0	142	208	0	0	0
48	189-192	52	148	209	0	0	0
49	193-196	1	134	201	0	0	0
50	197-200	0	145	212	0	0	0
51	201-204	0	121	192	0	0	0
52	205-208	0	129	184	0	0	0
53	209-212	0	83	115	0	0	0
54	213-216	0	97	166	0	0	0
55	217-220	1	100	167	0	0	0
56	221-224	0	40	86	0	0	0
57	225-228	209	219	182	0	0	0
58	229-232	42	165	85	0	0	0
59	233-236	0	46	35	0	0	0
60	237-240	8	107	222	0	0	0
61	241-244	80	255	234	0	0	0
62	245-248	80	255	164	0	0	0
63	249-252	77	255	112	0	0	0
64	253-255	117	255	83	0	0	0

COLOR MACROS CHART

BACKGROUND

Color	DMX Value	RGB COLOR INTENSITY			Color	DMX Value	RGB COLOR INTENSITY		
		RED	GREEN	BLUE			RED	GREEN	BLUE
Off	0	0	0	0	Color Macro 33	129-132	255	206	143
Color Macro 1	1-4	80	255	234	Color Macro 34	133-136	254	177	153
Color Macro 2	5-8	80	255	164	Color Macro 35	137-140	254	192	138
Color Macro 3	9-12	77	255	112	Color Macro 36	141-144	254	165	98
Color Macro 4	13-16	117	255	83	Color Macro 37	145-148	254	121	0
Color Macro 5	17-20	160	255	77	Color Macro 38	149-152	176	17	0
Color Macro 6	21-24	223	255	83	Color Macro 39	153-156	96	0	11
Color Macro 7	25-28	255	243	77	Color Macro 40	157-160	234	139	171
Color Macro 8	29-32	255	200	74	Color Macro 41	161-164	224	5	97
Color Macro 9	33-36	255	166	77	Color Macro 42	165-168	175	77	173
Color Macro 10	37-40	255	125	74	Color Macro 43	169-172	119	130	199
Color Macro 11	41-44	255	97	77	Color Macro 44	173-176	147	164	212
Color Macro 12	45-48	255	74	77	Color Macro 45	177-180	88	2	163
Color Macro 13	49-52	255	83	134	Color Macro 46	181-184	0	38	86
Color Macro 14	53-56	255	93	182	Color Macro 47	185-188	0	142	208
Color Macro 15	57-60	255	96	236	Color Macro 48	189-192	52	148	209
Color Macro 16	61-64	238	93	255	Color Macro 49	193-196	1	134	204
Color Macro 17	65-68	163	87	255	Color Macro 50	197-200	0	145	212
Color Macro 18	69-72	150	90	255	Color Macro 51	201-204	0	121	192
Color Macro 19	73-76	100	77	255	Color Macro 52	205-208	0	129	184
Color Macro 20	77-80	77	100	255	Color Macro 53	209-212	0	83	115
Color Macro 21	81-84	67	148	255	Color Macro 54	213-216	0	97	166
Color Macro 22	85-88	77	195	255	Color Macro 55	217-220	1	100	167
Color Macro 23	89-92	77	234	255	Color Macro 56	221-224	0	40	86
Color Macro 24	93-96	158	255	144	Color Macro 57	225-228	209	219	182
Color Macro 25	97-100	255	251	153	Color Macro 58	229-232	42	165	85
Color Macro 26	101-104	255	175	147	Color Macro 59	233-236	0	46	35
Color Macro 27	105-108	255	138	186	Color Macro 60	237-240	8	107	222
Color Macro 28	109-112	255	147	251	Color Macro 61	241-244	255	0	0
Color Macro 29	113-116	151	135	255	Color Macro 62	245-248	0	255	0
Color Macro 30	117-120	99	0	255	Color Macro 63	249-252	0	0	255
Color Macro 31	121-124	138	169	255	Color Macro 64	253-255	255	255	255
Color Macro 32	128-128	255	255	255					

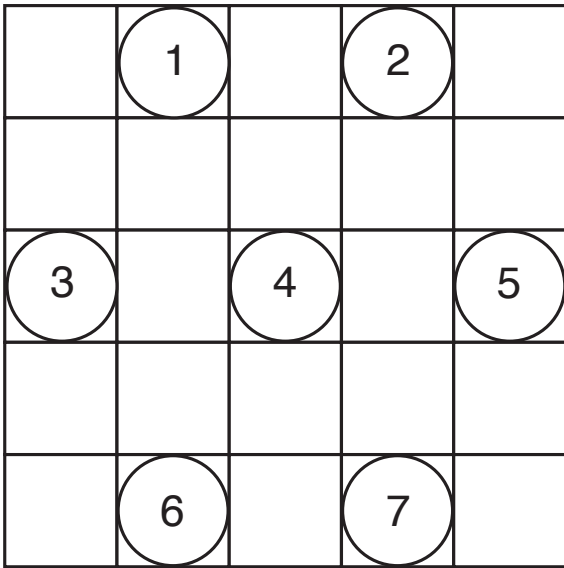
COLOR TEMPERATURE

Colors shown are an approximate representation. <https://www.luxalight.eu/en/cie-convector>

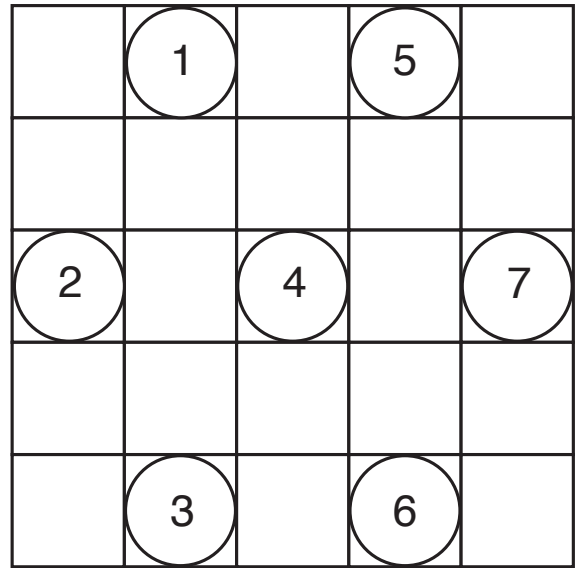
DMX VALUE	COLOR TEMPERATURE (K)	DMX VALUE	COLOR TEMPERATURE (K)
23	2300	62	6200
24	2400	63	6300
25	2500	64	6400
26	2600	65	6500
27	2700	66	6600
28	2800	67	6700
29	2900	68	6800
30	3000	69	6900
31	3100	70	7000
32	3200	71	7100
33	3300	72	7200
34	3400	73	7300
35	3500	74	7400
36	3600	75	7500
37	3700	76	7600
38	3800	77	7700
39	3900	78	7800
40	4000	79	7900
41	4100	80	8000
42	4200	81	8100
43	4300	82	8200
44	4400	83	8300
45	4500	84	8400
46	4600	85	8500
47	4700	86	8600
48	4800	87	8700
49	4900	88	8800
50	5000	89	8900
51	5100	90	9000
52	5200	91	9100
53	5300	92	9200
54	5400	93	9300
55	5500	94	9400
56	5600	95	9500
57	5700	96	9600
58	5800	97	9700
59	5900	98	9800
60	6000	99	9900
61	6100		

PIXEL FLIP

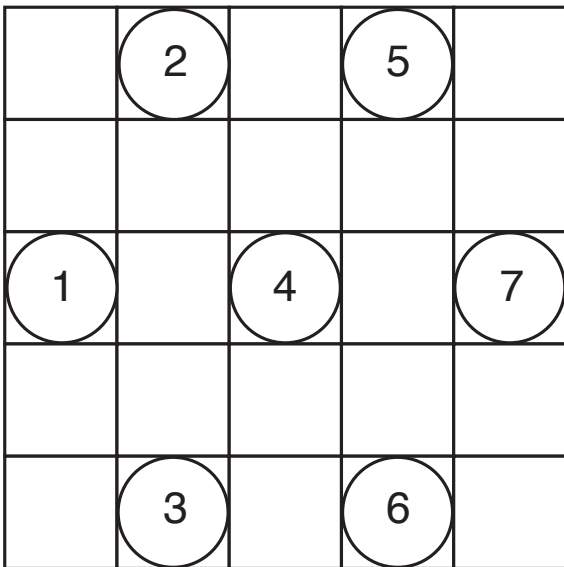
Pixel Flip 1 (Default)



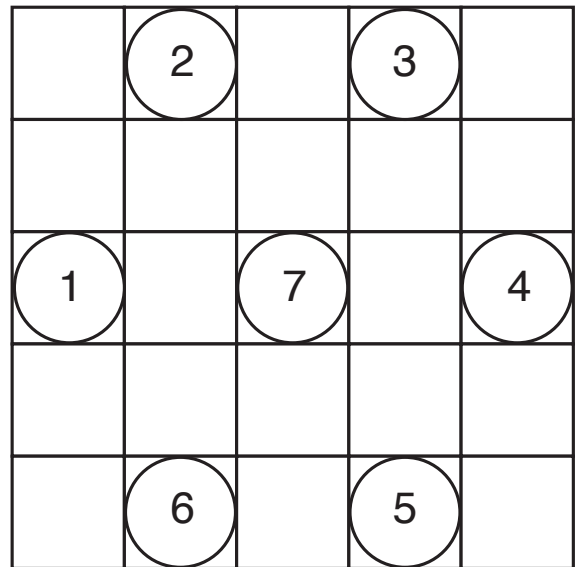
Pixel Flip 2



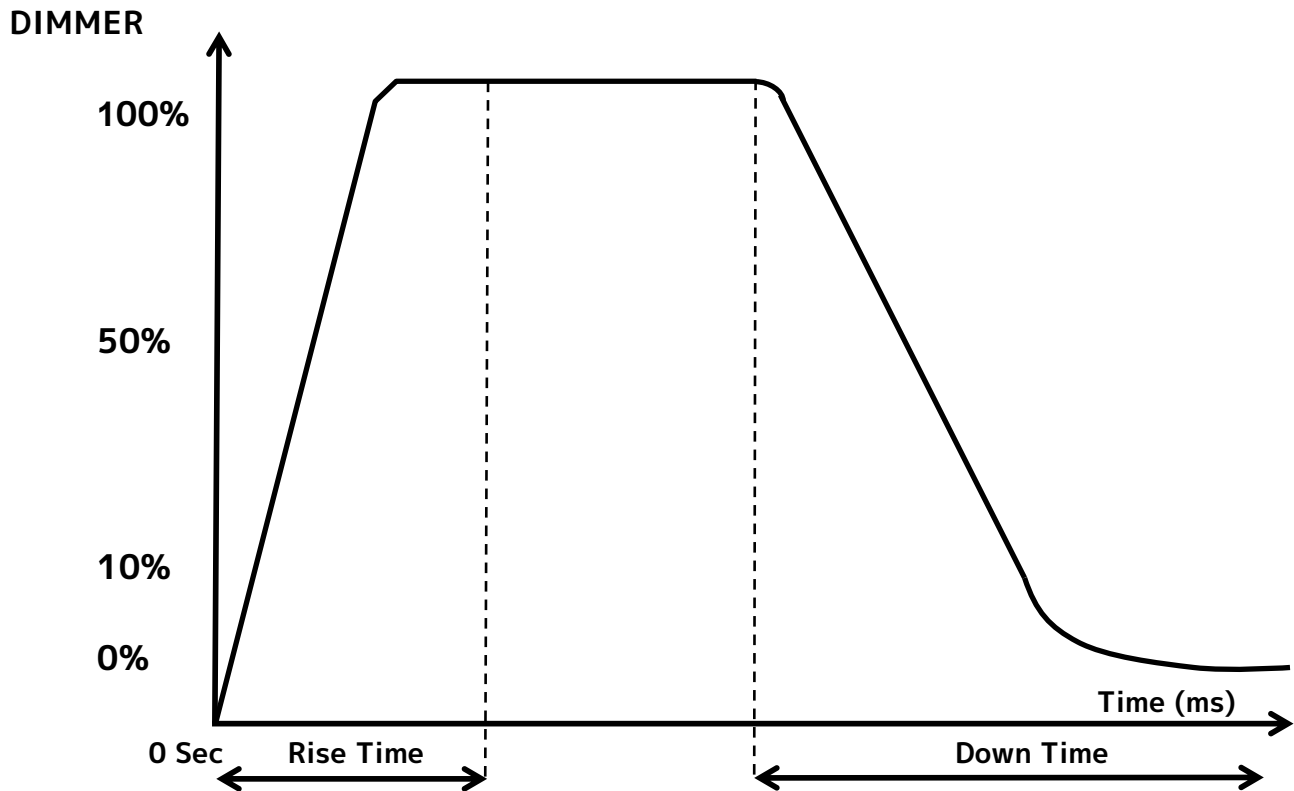
Pixel Flip 3



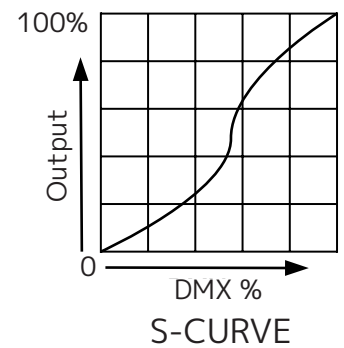
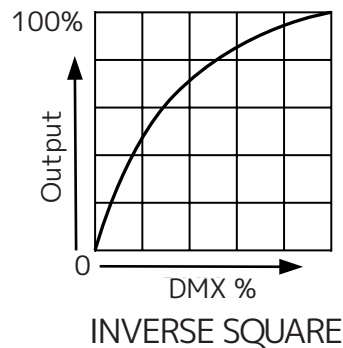
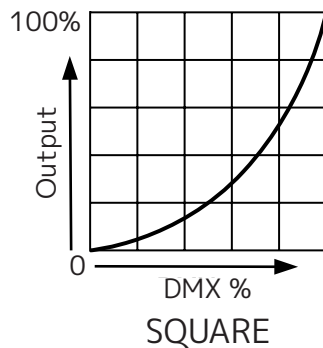
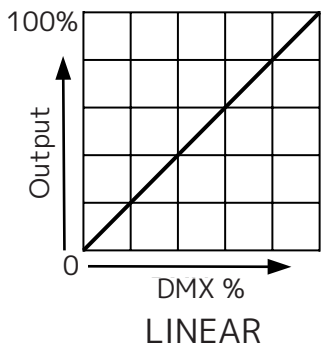
Pixel Flip 4



DIM MODES



Dimming Curve Ramp Effect	0 sec Fade Time		1 sec Fade Time	
	Rise Time (ms)	Down Time (ms)	Rise Time (ms)	Down Time (ms)
Standard (default)	0	0	0	0
Stage	780	1100	1540	1660
TV	1180	1520	1860	1940
Architectural	1380	1730	2040	2120
Theatre	1580	1940	2230	2280
Stage 2	0	1100	0	1660



PRIMARY-SECONDARY SETUP

This function allows you to link units together to run in a Primary-Secondary set-up, in which one unit will act as the controlling unit and the others will react to the controlling unit's built-in programs. Any unit can be configured to act as a Primary or as a Secondary, but only one unit in a given system can be programmed to act as the Primary.

Primary-Secondary Connections and Settings:

1. Daisy chain your units via the XLR connectors on the bottom of each unit. Use standard XLR data cables to link your units together. Remember that the male XLR connector is the input and the female XLR connector is the output. The first unit in the chain (primary) will use the female XLR connector only. The last unit in the chain will use the male XLR connector only.
2. On the unit that you want to designate as the primary, use the display screen and control panel to navigate to Personality > Prim/Sec Mode, then select "Primary" and press the SETUP button to confirm. Configure the operation of the device as desired.
3. On the units that you want to designate as secondaries, use the display screen and control panel to navigate to Personality > Prim/Sec Mode, then select "Secondary" and press the SETUP button to confirm. The secondary units will now follow the operation of the primary unit.

NOTES:

- Only one unit should be configured as the primary, while all the other units should be configured as secondaries.
- All units should be set to the same DMX channel mode.
- If fixtures fail to sync, verify that all settings mentioned above are the same, then power all devices off, then switch them on again to re-establish the link.

MULTI UNIT POWER LINKING

This feature allows you to connect the fixtures to one another using the power cable input and output sockets.

The maximum number of units that can be linked in this manner is as follows:

- 15 units when running on 120V power.
- 28 units when running on 230V power.

DO NOT EXCEED THIS MAXIMUM NUMBER WHEN POWER LINKING UNITS!

All linked units must be of the same make and model type. Do not mix and match units!

MAINTENANCE GUIDELINES



DISCONNECT POWER BEFORE PERFORMING ANY MAINTENANCE!

CLEANING

Frequent cleaning is recommended to ensure proper function, optimized light output, and an extended life. The frequency of cleaning depends on the environment in which the fixture operates: damp, smoky, or particularly dirty environments can cause greater accumulation of dirt on the fixture's optics. Clean the external lens surface regularly with a soft cloth to avoid dirt/debris accumulation.

NEVER use alcohol, solvents, or ammonia-based cleaners.

MAINTENANCE

Regular inspections are recommended to ensure proper function and extended life. There are no user serviceable parts inside this fixture. Please refer all other service issues to an authorized ADJ service technician. Should you need any spare parts, please order genuine parts from your local ADJ dealer.

Please refer to the following points during routine inspections:

- A. A detailed electrical check by an approved electrical engineer every three months, to make sure the circuit contacts are in good condition and prevent overheating.
- B. Be sure all screws and fasteners are securely tightened at all times. Loose screws may fall out during normal operation, resulting in damage or injury as larger parts could fall.
- C. Check for any deformations on the housing, color lenses, rigging hardware, and rigging points (ceiling, suspension, trussing). Deformations in the housing could allow for dust to enter into the fixture. Damaged rigging points or unsecured rigging could cause the fixture to fall and seriously injure a person(s).
- D. Electric power supply cables must not show any damage, material fatigue, or sediments.

NEVER remove the ground prong from the power cable.

TORQUE SETTINGS FOR SCREWS

IN ORDER TO MAINTAIN THE IP65 RATING ON THE LIGHTING FIXTURES, ALL SCREWS MUST BE TIGHTENED TO THE FOLLOWING TORQUE SPECIFICATION USING A TORQUE DRIVER.

Refer to the table and diagram below for torque specifications.

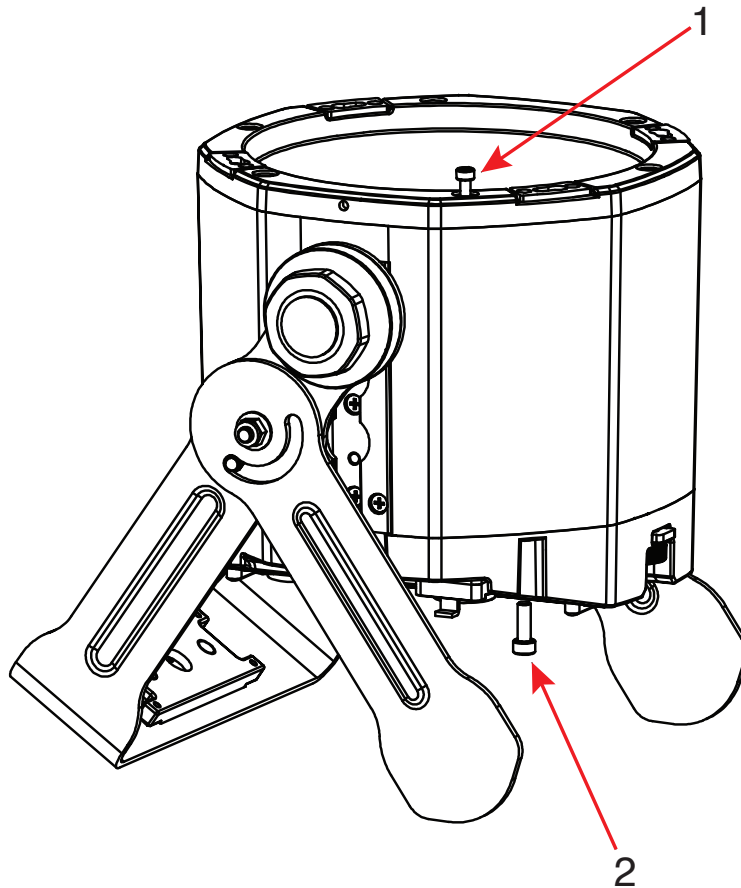
TORQUE DRIVERS (Recommended): UTICA TS-30 (shown)

ALTERNATE DRIVERS:

- Proto J6107A
- Wiha 28887



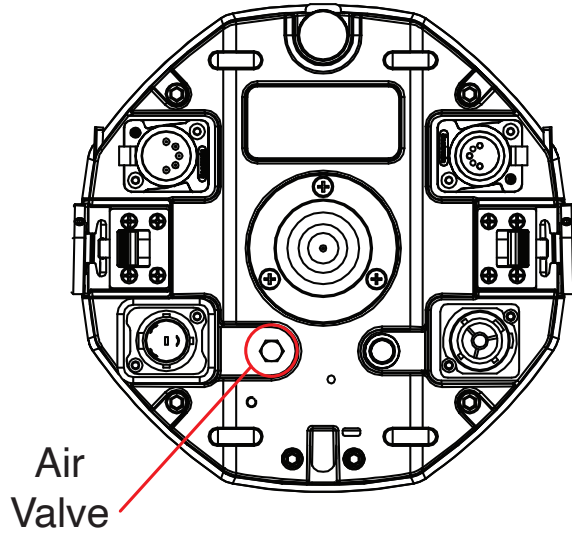
CAUTION! DO NOT OVER TORQUE SCREWS, AS THIS CAN CAUSE LEAKAGE ISSUES!



NO.	LOCATION	QUANTITY	TORQUE
1	Upper Cover	6	10.4 lb-in (12 kg-cm)
2	Back Cover	4	17.4 lb-in (20 kg-cm)

IP TEST PARAMETERS

Following any repair or maintenance procedure that requires disassembly of the fixture, use ADJ's Hydro IP Tester to confirm the IP integrity of the fixture. The air valve is located on the back panel next to the display screen, as shown in the diagram below. Please contact ADJ Service for information regarding the ADJ Hydro IP Tester, or visit the product information page online at: <https://www.adj.com/hydro-ip-tester>



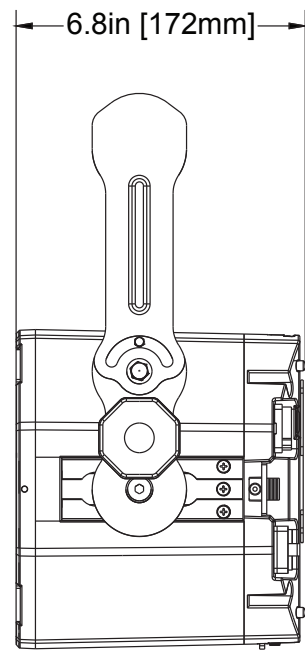
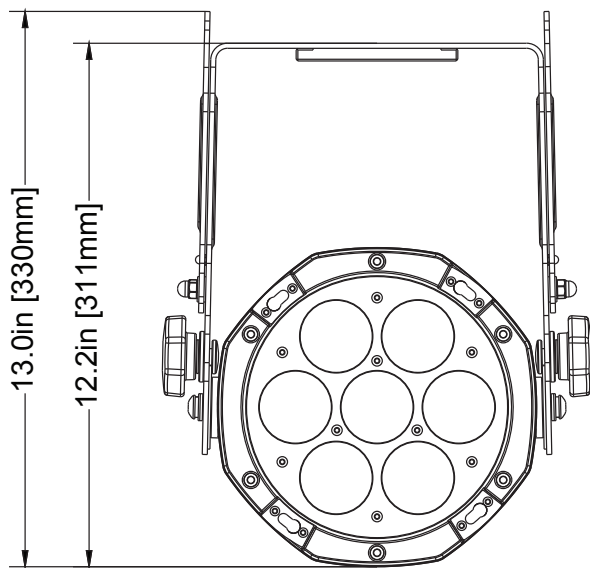
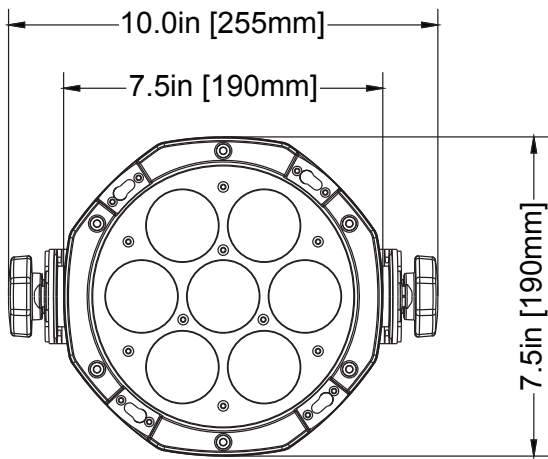
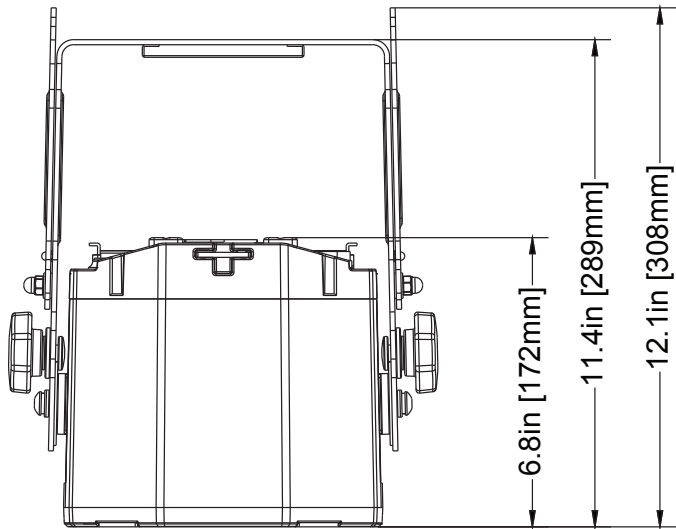
CAUTION! THE USE OF PROTECTIVE GLOVES AND SAFETY GOGGLES IS STRONGLY RECOMMENDED WHILE PERFORMING THE IP PRESSURE TEST! AVOID PLACING YOUR FACE, EYES, HANDS, ETC IN CLOSE PROXIMITY TO THE FIXTURE'S LENS WHILE PERFORMING THE TEST!

DE-HUMIDIFICATION: IP65 fixtures operating in high-humidity environments may experience residual fogging or condensation. Such fogging will not damage the fixture, and can be removed using the following procedure: position the unit with the air valve pointing upwards, then open the air valve and run the unit for 1-2 hours after reaching operating temperature. Then, while the fixture is still hot, re-install the air valve and allow the unit to cool down. Please note that this procedure should be performed in a dry, air-conditioned environment. Avoid additional fogging by drying the fixture completely before placing into a road case.



IP PRESSURE TESTING PARAMETERS		
Low Pressure Limit	High Pressure Limit	Steady/Hold Time
1.65 psi (11.4 KPa)	1.70 psi (11.7 KPa)	3 sec

DIMENSIONAL DRAWINGS



SPECIFICATIONS

Source:

- (7) 20W Hex Color RGBAL+UV Foreground LED's
- (29) 0.2W RGB Background LED's
- 50,000 Hour Average Life*
- *May vary depending on several factors including but not limited to: Environmental Conditions, Power/ Voltage, Usage Patterns (On-Off Cycling), Control, and Dimming.

Optical:

- 2,300K ~ 9,900K White Color Temperature Range
- 17° Beam Angle

Physical:

- IP65 Housing
- OLED Digital display
- L Track system for locking accessories / rigging
- Gel Frame Holder
- Adjustable, hanging / kick stand bracket

Control:

- DMX512
- Aria X2 Wireless Management / DMX System
- Bluetooth
- RDM and RDM Net Compatible
- IR (Includes UCIR24 wireless remote)
- (11) DMX Channel Modes (5, 6, 7, 9, 12, 13, 22, 24, 42, 45 & 60 Channel modes)
- On-board Manual Control Mode
- Primary / Secondary Mode

Connections:

- 5pin XLR Outdoor DMX In/Out Sockets (Must be used with STRxxx, 5pin DMX cables to create IP65 seal)
- Outdoor Locking Power Sockets
- Battery Charging Socket

Dimensions & Weight:

- Length: 12.1" (308mm)
- Width: 10.0" (255mm)
- Height: 7.5" (190mm)
- Weight: 15.9 lbs. (7.2 kg)

Power:

- AC100-240V/50Hz-60Hz Input
- 60W Power Consumption
- Link 15 pieces @120VAC or 28 pieces @ 230VAC

Battery:

- Rechargeable Lithium ion
- Battery Capacity: 7,000mAh
- Battery Voltage: 22.2V
- Charge Time, AC Power: 6 Hours (To Full)
- Battery operation can be selected by the user for durations ranging from 5 to 20 hours. 5 Hour duration will operate at Full Output when battery is fully charged
- Battery Cycles: 500

Thermal:

- Ambient Operational Temperature: -4°F to 113°F (-20°C to 45°C)
- Storage Temperature: -22°F to 113°F (-30°C to 45°C)

Certifications & IP Rating:

- CE
- cETLus
- FCC
- IP65



IP65

ORDERING INFORMATION

US SKU	EU SKU	DESCRIPTION
ELE700	1226100504	ElectraPix Par 7
LTR008	1744000022	LTrack A2-Ltrack Adapter Only
LTR112	1744000025	LTrack CA2-LTrack Adapter with Narrow Clamp
ELP404	Pending	ELP12IPBDA-Barn Door and Gel Frame Assembly
ELP755	1226100523	ELPIX7L55-55° Diffusion Filter
ELP740	1226100522	ELPIX7L40-40° Diffusion Filter
ELP730	1226100521	ELPIX7L30-30° Diffusion Filter
ELP720	1226100520	ELPIX7L20-20° Diffusion Filter
ELP781	1226100527	ELPIX7L30X60-30x60° Linear Filter
ELP801	1226100526	ELPIX7L15X60-15x60° Linear Filter
ELP794	1226100525	ELPIX7L10X60-10x60° Linear Filter
ELP768	1226100524	ELPIX7L10X40-10x40° Linear Filter
MIR639	Pending	EPIX P7 IPCB-Replacement Charging Base and Power Supply
EPI148	Pending	White Cover
EPI070	Pending	FX Snoot
EPI096	1226100516	10-inch Frosted Cylinder
EPI109	1226100517	20-inch Frosted Cylinder
EPI122	1226100518	30-inch Frosted Cylinder
EPI135	1226100519	40-inch Frosted Cylinder
EPI083	1226100515	Frosted Dome

FCC STATEMENT

Please note that changes or modifications to this product that have not been expressly approved by the party responsible for compliance could void the user's authority to operate the equipment.

NOTE: This equipment has been tested and found to comply with the limits for a Class A digital device, pursuant to part 15 of the FCC Rules. These limits are designed to provide reasonable protection against harmful interference when the equipment is operated in a commercial environment. This equipment generates, uses, and can radiate radio frequency energy and, if not installed and used in accordance with the instruction manual, may cause harmful interference to radio communications. Operation of this equipment in a residential area is likely to cause harmful interference in which case the user will be required to correct the interference at his own expense.

Europe Energy Saving Notice

Energy Saving Matters (EuP 2009/125/EC)

Saving electric energy is a key to help protecting the environment. Please turn off all electrical products when they are not in use. To avoid power consumption in idle mode, disconnect all electrical equipment from power when not in use. Thank you



