



KEY FEATURES

- (8) 60W RGLB LEDs with Pixel Control
- (16) 5W CW Sparx LEDs with Pixel Control
- 11,548 Total Fixture Lumen Output (Sphere)
- 4° - 35° Beam Angle
- Fast and precise 210° Tilt Rotation
- IP55 Tilt FX Fixture

The **REBEL LINE 8** defies expectations for linear lighting in a compact 8-cell format, delivering impressive output, precision, and color consistency in a versatile IP55 design. Its eight high-intensity 60W RGLB engines and sixteen CW SparkX pixels ignite the stage with 11,548 lumens of relentless, full-spectrum brilliance.

A seamless linear lens system and rapid 210° tilt movement create bold, continuous beams that transform effortlessly from razor-sharp aerials to a smooth, enveloping wash. The integrated Sparkle Beam FX adds refined texture, while the SparkX cool-white crossing beams cut through the scene with crisp, unmistakable definition.

A built-in magnetic alignment system allows the **REBEL LINE 8** to snap together with other LINE fixtures, forming flawless beam lines and high-impact pixel effects that read as one continuous visual element across any stage. Paired with its rugged IP65 construction and compact, tour-ready form, the **REBEL LINE 8** is built for environments demanding bold intensity, sweeping kinetic motion, and advanced pixel artistry for any stage.



8x60W IP65 RGBL Wash Fixture

SPECIFICATIONS

SOURCE

- (8) 60W RGBL LEDs
- (16) 5W CW SparkX LED Pixels
- 30,000 Hour Average LED Life*

*Test lab conditions. May vary depending on several factors including but not limited to:

Environmental Conditions, Power/Voltage, Usage Patterns (On-Off Cycling), Control, and Dimming.

PHOTOMETRIC DATA

- Total Lumen Output:
Integrating Sphere
- All LED: 11,548 Lumens
- RGBL LED: 7,128 Lumens
- CW LED: 4,752 Lumens
- CRI 82
- Zoom Range 4° - 35°

EFFECTS

- Motorized Zoom
- Full Pixel LED Control
- SparkX LED Beam Effect
- Electronic Dimmer and Strobe
- Variable 16-bit Dimming Modes and Curves
- Tilt Angle: 210°

COLOR

- RGBL LED Array
- CW SparkX LED Array
- Variable CCT 2400K - 8500K
- Virtual Gel Swatch Book

CONTROL / CONNECTIONS

- 3 DMX Channel Modes (22/30/70 channels)
- DMX Adjustable Refresh Rate (900 -25000 Hz)
- 4 Button Control Panel, LED Display
- Aria x2 Wireless Device Management
- NFC Configuration
- DMX, RDM, Art-NET, sACN Protocol Support
- IP65 Locking 5pin XLR Connector In/Out
- IP65 Locking RJ45 Ethernet Connector In/Out
- IP65 Locking Power Cable In/Out

SIZE / WEIGHT

- Length: 19.8 in (502mm)
- Width: 6.5 in (164mm)
- Height (head up): 13.2 in (336mm)
- Height (head 90 degree): 10.0 in (254mm)
- Weight: 29.3 lb (13.3 kg)

ELECTRICAL / THERMAL

- AC 100-240V 50/60Hz
- 810W Max Power Consumption
- Ambient Temperature Range: -4°F to 113°F (-20°C to 45°C)
- BTU/hr (+/- 10%) 2762.1

INCLUDED ITEMS

- Omega Brackets (x2)
- Blank Name Plate
- Front Louver/Grid
- Diffusion Filter
- Safety Cable IP65 Rated
- IP65 Locking Power Cable

APPROVALS / RATINGS

CE | cETLus | IP55 | FCC | UKCA

ORDERING INFORMATION

SKU (US)	SKU (EU)	DESCRIPTION
REB208	Pending	Elation Rebel Line 8

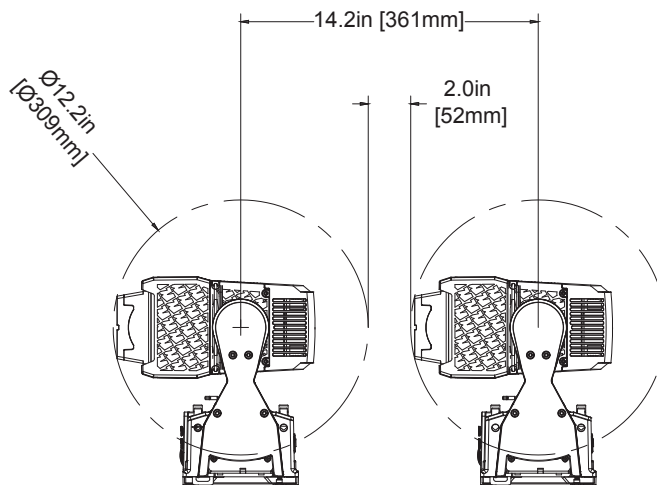
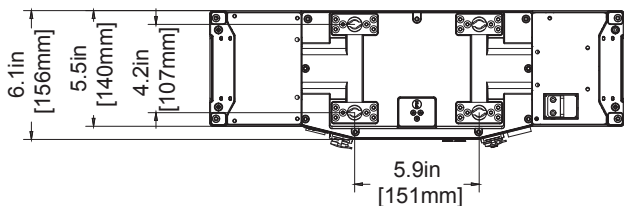
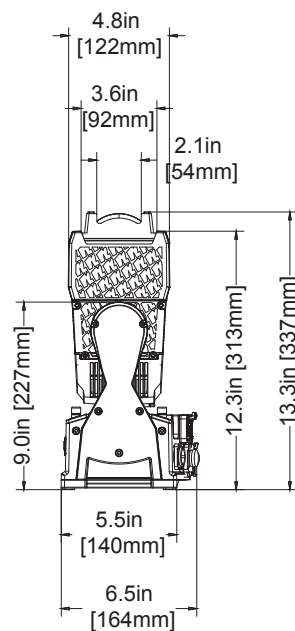
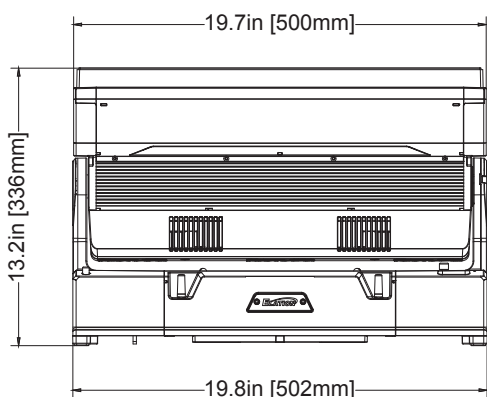
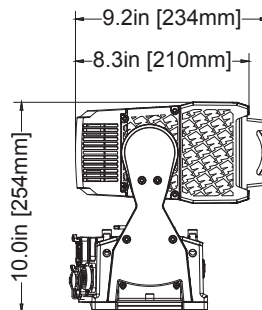
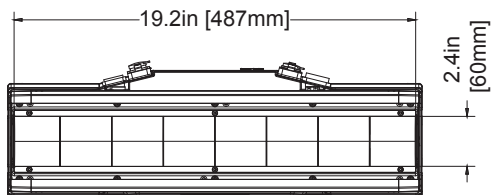




8x60W IP65 RGBL Wash Fixture

UNIT DIMENSIONS

W/O FROST FILTER





8x60W IP65 RGL Wash Fixture

UNIT DIMENSIONS

WITH FROST FILTER

