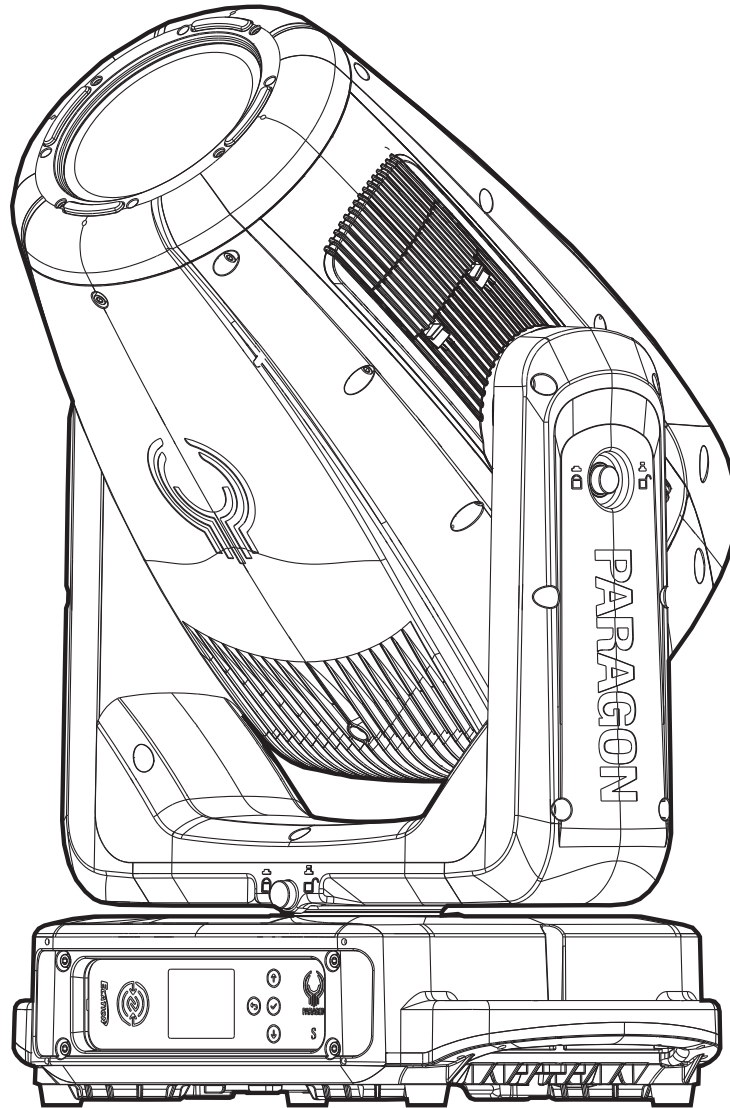


# ELATION®



**PARAGON S**  
user manual

©2026 ELATION PROFESSIONAL all rights reserved. Information, specifications, diagrams, images, and instructions herein are subject to change without notice. ELATION PROFESSIONAL logo and identifying product names and numbers herein are trademarks of ELATION PROFESSIONAL. Copyright protection claimed includes all forms and matters of copyrightable materials and information now allowed by statutory or judicial law or hereinafter granted. Product names used in this document may be trademarks or registered trademarks of their respective companies and are hereby acknowledged. All non-ELATION brands and product names are trademarks or registered trademarks of their respective companies.

**ELATION PROFESSIONAL** and all affiliated companies hereby disclaim any and all liabilities for property, equipment, building, and electrical damages, injuries to any persons, and direct or indirect economic loss associated with the use or reliance of any information contained within this document, and/or as a result of the improper, unsafe, insufficient and negligent assembly, installation, rigging, and operation of this product.

**Elation Professional USA | 6122 S. Eastern Ave. | Los Angeles, CA. 90040**  
323-582-3322 | [www.elationlighting.com](http://www.elationlighting.com) | [info@elationlighting.com](mailto:info@elationlighting.com)

**Elation Professional B.V. | Junostraat 2 | 6468 EW Kerkrade, The Netherlands**  
+31 45 546 85 66 | +31 45 546 85 96 fax | [www.elationlighting.eu](http://www.elationlighting.eu) | [info@elationlighting.eu](mailto:info@elationlighting.eu)

**Elation Professional Mexico | AV Santa Ana 30 | Parque Industrial Lerma, Lerma, Mexico 52000**  
+52 (728) 282-7070

**DOCUMENT VERSION**



Due to additional product features and/or enhancements, an updated version of this document may be available online. Please scan the QR Code with your mobile device or visit [www.elationlighting.com](http://www.elationlighting.com) for the latest revision/update of this manual, before installation and/or programming.

| Date     | Document Version | Software Version | DMX Channel Mode     | Notes  |
|----------|------------------|------------------|----------------------|--|
| 02/05/25 | 1.0              | 1.5.1            | 41 / 64 Ch           | Initial Release  |
| 03/06/25 | 1.1              | N/C              | No Change            | Updated Overview, Installation Guidelines, Custom Gobos, Colors, System Menu, Movement and Color Settings, DMX Traits, Specifications  |
| 04/29/25 | 1.2              | N/C              | No Change            | Added Animation Wheel Replacement and Animation Wheel Dimensions; Updated Installation Guidelines, Custom Gobos, Specifications, Ordering Information, Maintenance Guidelines                          |
| 06/25/25 | 1.3              | 1.5.2            | 41 / 64 / 41 / 64 Ch | Added Theater Mode, Framing Macros, Refresh Rates, Ultra Dimming; Updated RDM, System Menu, DMX Traits, Dimmer Control, Fan Control, Movement and Color Settings, Specifications, Dimensional Drawings |
| 01/22/26 | 1.4              | 1.5.3            | No Change            | Updated: General Info, Installation Guidelines, Aria Setup and Guidelines, System Menu, DMX Traits; added Gobo Wheel Dimensions  |
| 05/11/26 | 1.5              | N/C              | No Change            | Updated: IP54 Rated, Maintenance Guidelines, Specifications  |
| 05/18/26 | 1.6              | N/C              | No Change            | Updated: Specifications  |

# CONTENTS

|  |    |                                      |    |
|--|----|--------------------------------------|----|
| General Information                    | 4  | Remote Device Management (RDM)       | 28 |
| IP54 Rated                             | 5  | Aria Setup and Guidelines            | 29 |
| Safety Guidelines                      | 6  | System Menu                          | 32 |
| Overview                               | 8  | Dimmer Control                       | 36 |
| Torque Settings for Screws             | 9  | Fan Control                          | 37 |
| Installation Guidelines                | 10 | Theater Mode                         | 38 |
| Accessory Installation                 | 16 | Movement and Color Settings          | 39 |
| Custom Gobos                           | 17 | DMX Traits                           | 40 |
| Gobo Replacement                       | 18 | Refresh Rates                        | 49 |
| Gobo Wheel Dimensions                  | 20 | Error Codes                          | 50 |
| Animation Wheel Dimensions             | 21 | Software Updates                     | 51 |
| Animation Wheel Replacement            | 22 | Maintenance Guidelines               | 56 |
| Gobo, Color, and Effects               | 24 | Wiring Labels                        | 58 |
| Framing Macros                         | 25 | Specifications                       | 61 |
| Sun Protection Mode   Hibernation Mode | 26 | Dimensional Drawings                 | 62 |
| Near Field Communication (NFC)         | 27 | Ordering Information   FCC Statement | 65 |

# GENERAL INFORMATION

## FOR PROFESSIONAL USE ONLY

### INTRODUCTION

Please read and understand the instructions in this manual carefully and thoroughly before attempting to operate this device. These instructions contain important safety and use information.

### UNPACKING

Every device has been thoroughly tested and has been shipped in perfect operating condition. Carefully check the shipping carton for damage that may have occurred during shipping. If the carton is damaged, carefully inspect the device for damage, and be sure all accessories necessary to install and operate the device have arrived intact. In the event damage has been found or parts are missing, please contact our customer support team for further instructions. Please do not return this device to your dealer without first contacting customer support. Please do not discard the shipping carton in the trash. Please recycle whenever possible.

### BOX CONTENTS

Omega Brackets (x2)  
IP65 Rated Locking Power Cable  
Stainless Steel Safety Cable  
Foam Inlay

### CUSTOMER SUPPORT

Contact ELATION Service for any product related service and support needs. Also visit [forums.elationlighting.com](https://forums.elationlighting.com) with questions, comments or suggestions.

**ELATION SERVICE USA - Monday - Friday 8:00am to 4:30pm PST**  
**323-582-3322 | [support@elationlighting.com](mailto:support@elationlighting.com)**

**ELATION SERVICE EUROPE - Monday - Friday 08:30 to 17:00 CET**  
**+31 45 546 85 63 | [support@elationlighting.eu](mailto:support@elationlighting.eu)**

**REPLACEMENT PARTS** please visit [parts.elationlighting.com](https://parts.elationlighting.com)

### LIMITED WARRANTY

For up-to-date warranty information regarding your device, please visit Elation's warranty information page online or scan the QR codes below.



USA: <https://www.elationlighting.com/warranty-information>



EU: [https://www.elationlighting.eu/terms\\_and\\_conditions](https://www.elationlighting.eu/terms_and_conditions)

It is strongly recommended to power the fixture down completely when not in use. Doing so will reduce wear on the fixture due to sustained or extended operational periods, thereby maximizing its operational lifespan.

# IP54 RATED

The **International Protection (IP)** rating system is commonly expressed as “**IP**” (Ingress Protection) followed by two numbers (i.e. IP54), where the numbers define the degree of protection. The first digit (Foreign Bodies Protection) indicates the extent of protection against particles entering the fixture, and the second digit (Water Protection) indicates the extent of protection against water entering the fixture. An **IP54** rated lighting fixture is designed and tested to protect against dust infiltrating in a quantity large enough to interfere with operation (**5**), and splashing water from any direction (**4**).

This rating means that the fixture can withstand rainwater, splashes, condensation, etc., but **CANNOT** withstand high-pressure water jets. This fixture is designed for use in any weather conditions, but cannot withstand fountains, waterfalls, showers, or other conditions that can generate larger amounts of water. Do not immerse the fixture in water, and immediately disconnect power to the fixture in the event of extreme situations such as floods.

**NOTE: THIS FIXTURE IS INTENDED FOR TEMPORARY OUTDOOR USE ONLY!** Permanent installation in an outdoor location may accelerate aging, potentially compromising the device’s IP54 rating and posing potential safety hazards and damage risks. Do not use this fixture in permanent outdoor applications.

**Do not install this fixture near seawater, swimming pools, or any environment with a high concentration of salt or chlorine in the air. Do not use this fixture in any environment with extremely cold or freezing temperatures.**

**NOTE: NOT ALL FEATURES LISTED ARE AVAILABLE ON ALL FIXTURES; THE FOLLOWING INSTRUCTIONS MAY NOT APPLY. CONTACT SUPPORT FOR ADDITIONAL DETAILS.**

**Exterior Maintenance:** Inspect the exterior every 30 days. Ensure the unit is powered off/disconnected. Examine the chassis for contaminants and clean optics and chassis as necessary. Schedule maintenance based on findings, taking into account the exterior’s exposure to the elements. Maintenance is crucial even when luminaires are not in use due to their exterior placement. Regularly inspect power and data lines for contaminants or corrosion. Clean thoroughly and/or replace connectors if corrosion/contaminants are present.

**Interior Maintenance:** Inspect the interior every 30-days. The unit must be powered off/disconnected.

- Examine zoom/focus mechanism, clean optics, and lubricate linear bearings (Krytox oil) as needed
- inspect belts for wear
- Manually rotate all rotating effect wheels and note any resistance.
- Check remaining rotating belts for wear.
- Inspect and clean fans as required, checking rotation and connections
- Examine the CMY module, manually moving flags and checking for resistance
- Clean guide rods if needed and apply a thin layer of grease (moly lube).
- Clean the interior with low-volume compressed air and clean optics before reassembling head covers.

Although the base and yoke have limited moving parts, the pan and tilt belt should also be inspected for wear.

There is no specific time frame regarding the routine replacement of parts such as belts/stepper motors, PCBs, or LEDs. These items should only be replaced on an as needed basis, except for cooling fans, which should be replaced once the luminaries reach 10,000-hours. This is a prophylactic measure intended to keep the unit running as cool as possible, insuring proper function of all internal components. A complete service breakdown is available, please contact [service@elationlighting.com](mailto:service@elationlighting.com) for any needed parts or manuals.

# SAFETY GUIDELINES

This fixture is a sophisticated piece of electronic equipment. To guarantee smooth operation, it is important to follow all instructions and guidelines in this manual. Elation Professional is not responsible for injury and/or damages resulting from the misuse of this fixture due to the disregard of the information printed in this manual. Only qualified and/or certified personnel should perform installation of this fixture and only the original rigging parts included with this fixture should be used for installation. Any modifications to the fixture and/or the included mounting hardware will void the original manufacturer's warranty and increase the risk of damage and/or personal injury.

Deep scratches on powder-coated metal can compromise the protective layer, exposing the underlying metal to environmental elements. Once the coating is damaged, moisture can infiltrate the surface, leading to corrosion. The scratch essentially creates a pathway for water and other corrosive agents to reach the metal, potentially causing rust and degradation over time. Regular inspection and maintenance of powder-coated surfaces are essential to prevent these issues and preserve the metal's integrity.



**PROTECTION CLASS 1 - FIXTURE MUST BE PROPERLY GROUNDED.**



**THERE ARE NO USER SERVICEABLE PARTS INSIDE THIS UNIT. DO NOT ATTEMPT ANY REPAIRS YOURSELF. DOING SO WILL VOID YOUR MANUFACTURER'S WARRANTY. DAMAGES RESULTING FROM MODIFICATIONS TO THIS DEVICE AND/OR THE DISREGARD OF SAFETY INSTRUCTIONS AND GUIDELINES IN THIS MANUAL VOID THE MANUFACTURER'S WARRANTY AND ARE NOT SUBJECT TO ANY WARRANTY CLAIMS AND/OR REPAIRS.**



**DO NOT PLUG THIS UNIT INTO A DIMMER PACK  
DO NOT REMOVE THE COVER UNDER ANY CONDITIONS  
NEVER OPERATE THIS UNIT WITH THE CASING REMOVED  
UNPLUG FROM POWER DURING LONG PERIODS OF NON-USE  
DISCONNECT POWER BEFORE PERFORMING MAINTENANCE**



**NEVER LOOK DIRECTLY INTO THE LIGHT SOURCE!  
RETINA INJURY RISK - MAY INDUCE BLINDNESS!  
SENSITIVE PERSONS MAY SUFFER AN EPILEPTIC SHOCK!**

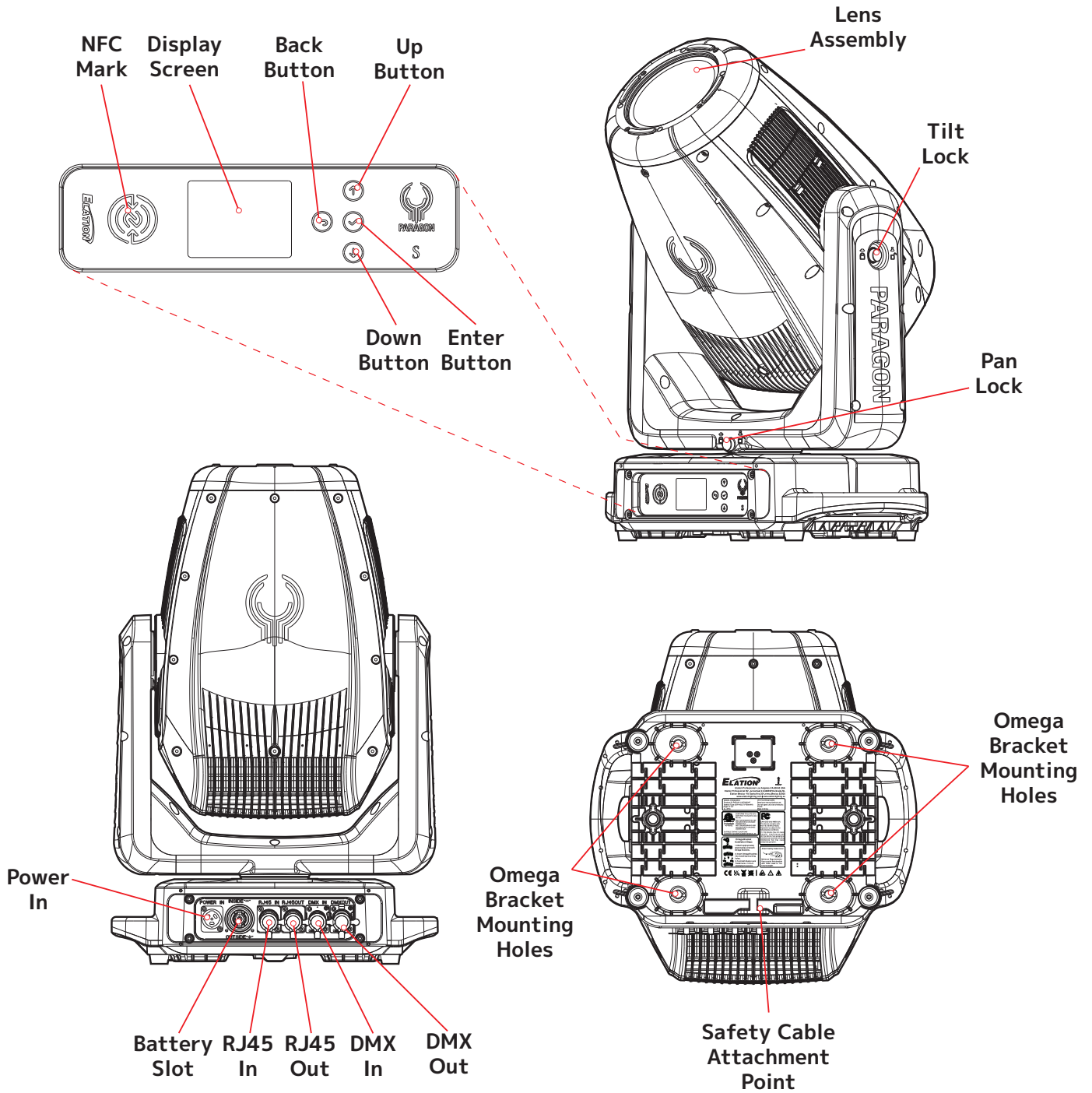


**FIXTURE SHOULD BE PLACED A MINIMUM OF 1.6 FEET (0.5 METERS) FROM ANY NEARLY OBJECTS OR SURFACES.  
FIXTURE SHOULD BE PLACED A MINIMUM OF 9.8 FEET (3 METERS) FROM ANY FLAMMABLE MATERIALS.  
OPERATING TEMPERATURE RANGE IS IS -4°F TO 113°F (-20°C TO 45°C).**

# SAFETY GUIDELINES

- **DO NOT** shake fixture, and avoid using brute force when installing and/or operating the fixture.
- **DO NOT** operate the fixture if the power cord is frayed, crimped, damaged, and/or if any of the power cord connectors are damaged and do not plug into the fixture securely with ease.
- **NEVER** force a power cord connector into the fixture. If the power cord or any of its connectors are damaged, replace it immediately with a new one of the same power rating.
- **DO NOT** block any air ventilation slots.
- All fan and air inlets must remain clean and never blocked.
- Leave approx. 6" (15cm) between the fixture and other devices or a wall in order to allow for proper cooling.
- Always disconnect the fixture from the main power source before performing any type of service and/or cleaning procedure.
- Only handle the power cord by the plug end. Never pull out the plug by tugging on the wire portion of the cord.
- During the initial operation of this fixture, a light smoke or smell may emit from the interior of the fixture. This is a normal process and is caused by excess paint in the interior of the casing burning off from the heat associated with the lamp. This will decrease gradually over time.
- Consistent operational breaks will ensure fixture will function properly for many years.
- **ONLY** use the original packaging and materials to transport the fixture for service.

# OVERVIEW



**ALWAYS ATTACH AN APPROPRIATELY RATED SAFETY CABLE WHENEVER INSTALLING THIS FIXTURE IN A SUSPENDED ENVIRONMENT IN ORDER TO ENSURE THE FIXTURE WILL NOT FALL IF THE CLAMP FAILS.**



# TORQUE SETTINGS FOR SCREWS

IN ORDER TO MAINTAIN THE IP54 RATING ON THE LIGHTING FIXTURES, ALL SCREWS MUST BE TIGHTENED TO THE FOLLOWING TORQUE SPECIFICATION USING A TORQUE DRIVER.

Refer to the table and diagram below for torque specifications. All screws are 3mm Hex type.

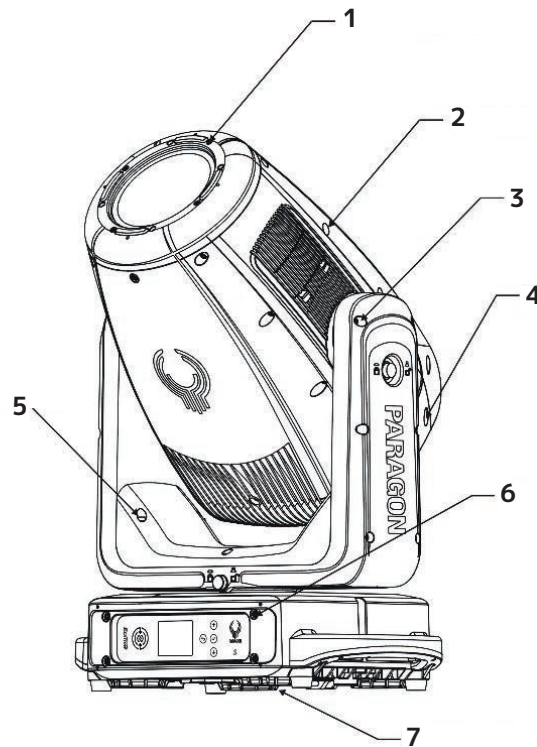
TORQUE DRIVERS (Recommended): UTICA TS-30 (shown)

ALTERNATE DRIVERS:

- Proto J6107A
- Wiha 28887



**CAUTION! DO NOT OVER TORQUE SCREWS, AS THIS CAN CAUSE LEAKAGE ISSUES!**



| NO. | LOCATION         | QUANTITY | TORQUE                            |
|-----|------------------|----------|-----------------------------------|
| 1   | Lens Frame       | 4        | 6.9 ± 0.7 lb-in (8.0 ± 0.8 kg-cm) |
| 2   | Head Covers      | 20       | 6.9 ± 0.7 lb-in (8.0 ± 0.8 kg-cm) |
| 3   | Arm Upper Covers | 12       | 6.9 ± 0.7 lb-in (8.0 ± 0.8 kg-cm) |
| 4   | Head Rear Cover  | 4        | 6.9 ± 0.7 lb-in (8.0 ± 0.8 kg-cm) |
| 5   | Arm Lower Covers | 6        | 6.9 ± 0.7 lb-in (8.0 ± 0.8 kg-cm) |
| 6   | Control Panel    | 20       | 6.9 ± 0.7 lb-in (8.0 ± 0.8 kg-cm) |
| 7   | Base Cover       | 4        | 6.9 ± 0.7 lb-in (8.0 ± 0.8 kg-cm) |

# INSTALLATION GUIDELINES



## FLAMMABLE MATERIAL WARNING

Keep fixture minimum 9.8 feet (3m) away from flammable materials and/or pyrotechnics.



## ELECTRICAL CONNECTIONS

A qualified electrician should be used for all electrical connections and/or installations.



## MINIMUM DISTANCE TO OBJECTS/SURFACES IS 1.6 FEET (0.5 METERS)



## AMBIENT OPERATING TEMPERATURE RANGE IS -4°F TO 113°F (-20°C TO 45°C)



## DO NOT INSTALL THE FIXTURE IF YOU ARE NOT QUALIFIED TO DO SO!

Fixture **MUST** be installed following all local, national, and country commercial electrical and construction codes and regulations.

Before rigging/mounting a single fixture or multiple fixtures to any metal truss/structure or placing the fixture(s) on any surface, a professional equipment installer **MUST** be consulted to determine if the metal truss/structure or surface is properly certified to safely hold the combined weight of the fixture(s), clamps, cables, and accessories.

Fixture(s) should be installed away from walking paths, seating areas, or areas where unauthorized personnel might reach the fixture by hand.

**NEVER** stand directly below the fixture(s) when rigging, removing, or servicing.

Overhead fixture installation must always be secured with a secondary safety attachment, such as an appropriately rated safety cable.

Allow approximately 15 minutes for the fixture to cool down before servicing.

**This fixture is equipped with Aria X2. Please note that Aria's wireless functions are switched off by default.** Activate Aria X2 and Bluetooth in the system menu to take advantage of the fixture's wireless feature set for wireless connectivity and over the air software updates.

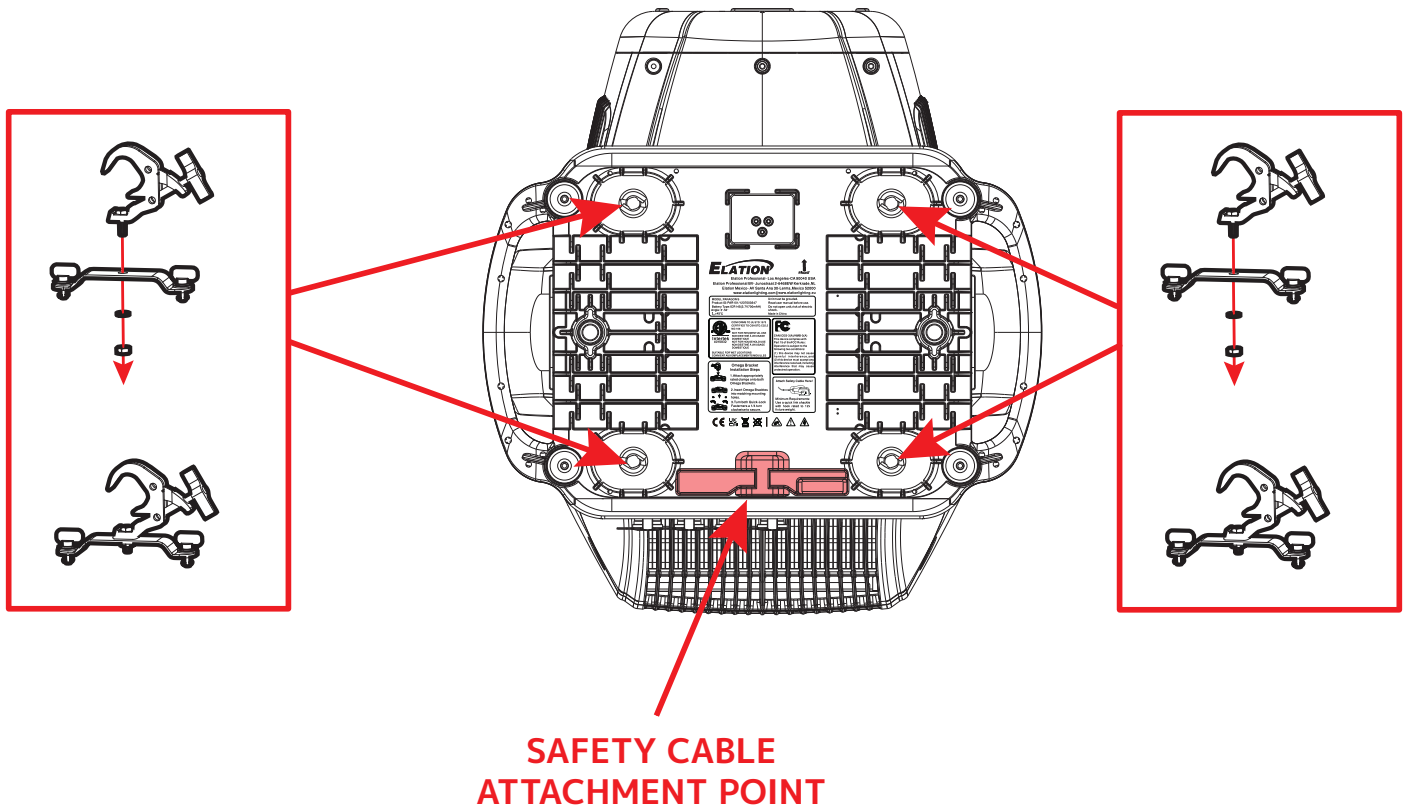
## TRANSPORTATION AND STORAGE

Pan and tilt locks are for service purposes only and not intended to secure the fixture during transportation; always disengage them before moving or transporting the unit to avoid damage to the internal mechanics.

# INSTALLATION GUIDELINES

## OMEGA BRACKET INSTALLATION

To suspend this unit from an elevated truss, begin by using an appropriately rated bolt and nut to secure a mounting clamp to an Omega bracket. Then insert the Omega bracket's twist lock fasteners into the mounting holes on the bottom of the base, and twist the fasteners to secure in place. Please note that two mounting clamps and two Omega brackets must be used to securely install this fixture. Lastly, attach a safety cable of the appropriate rating to the designated anchor point, as shown below.



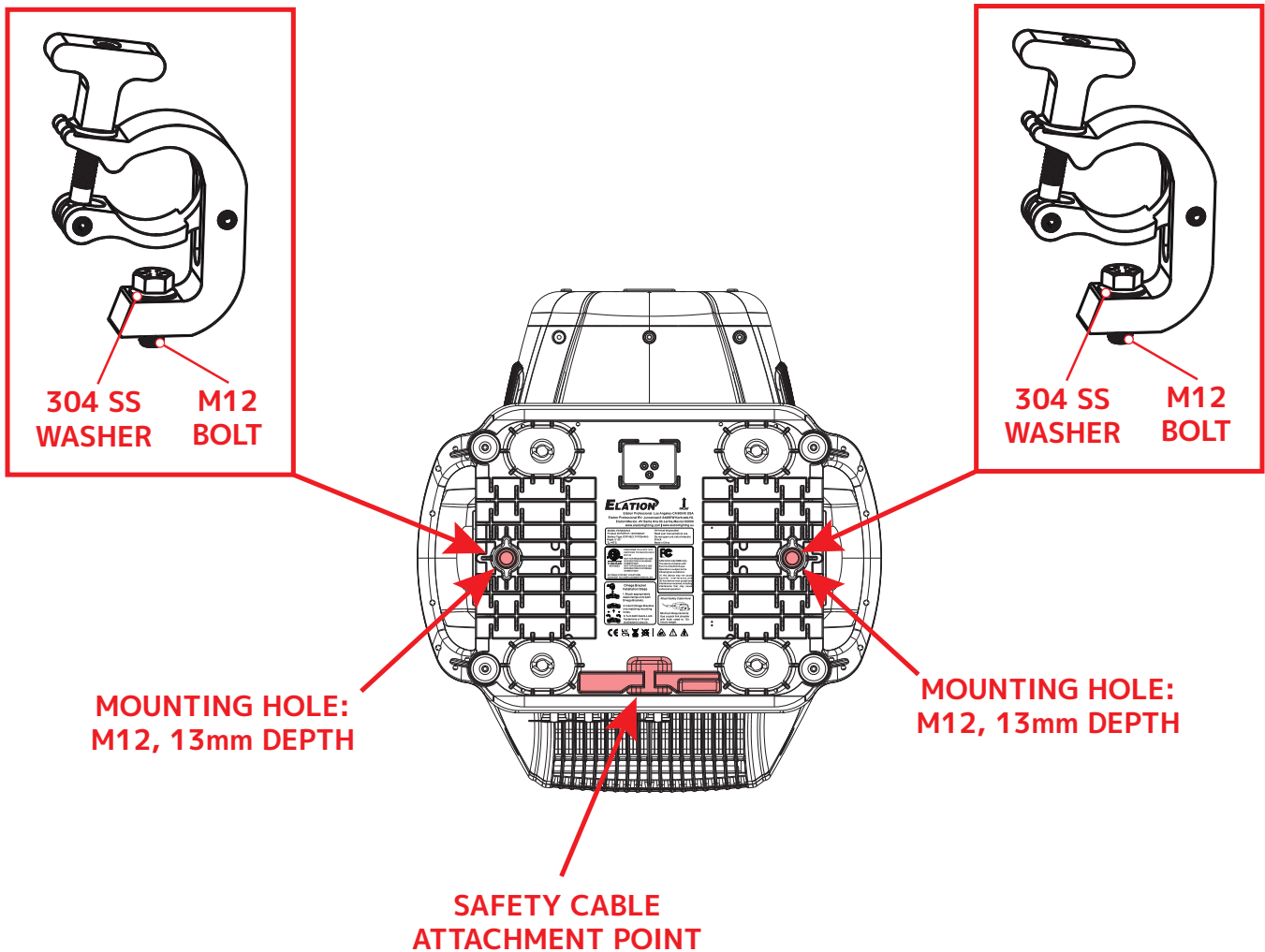
**ALWAYS ATTACH AN APPROPRIATELY RATED SAFETY CABLE WHENEVER INSTALLING THIS FIXTURE IN A SUSPENDED ENVIRONMENT IN ORDER TO ENSURE THE FIXTURE WILL NOT FALL IF THE CLAMP FAILS.**

# INSTALLATION GUIDELINES

## CLAMP INSTALLATION

Alternately, clamps can be installed directly to the designated mounting holes on the bottom of the fixture's base, which have a **depth of 13mm** and are designed to accept M12 bolts. Align the hole in the bottom of the clamp with the mounting hole on the fixture, then slip a 304 stainless steel M12 spring washer onto a 304 stainless steel bolt. Insert the bolt through both the hole in the clamp and the mounting hole on the fixture, then tighten to secure in place. **Please note that the length of the M12 bolts must be carefully selected to ensure that the bolts thread fully into the mounting holes, while the bottom of the head should sit securely against the washer and clamp surface.** The dimensions of the clamp, bolt, and mounting hole depth should be taken into account when selecting your bolt length.

Please note that two mounting clamps must be used to securely install this fixture. Lastly, attach a safety cable of the appropriate rating to the designated anchor point, as shown below.

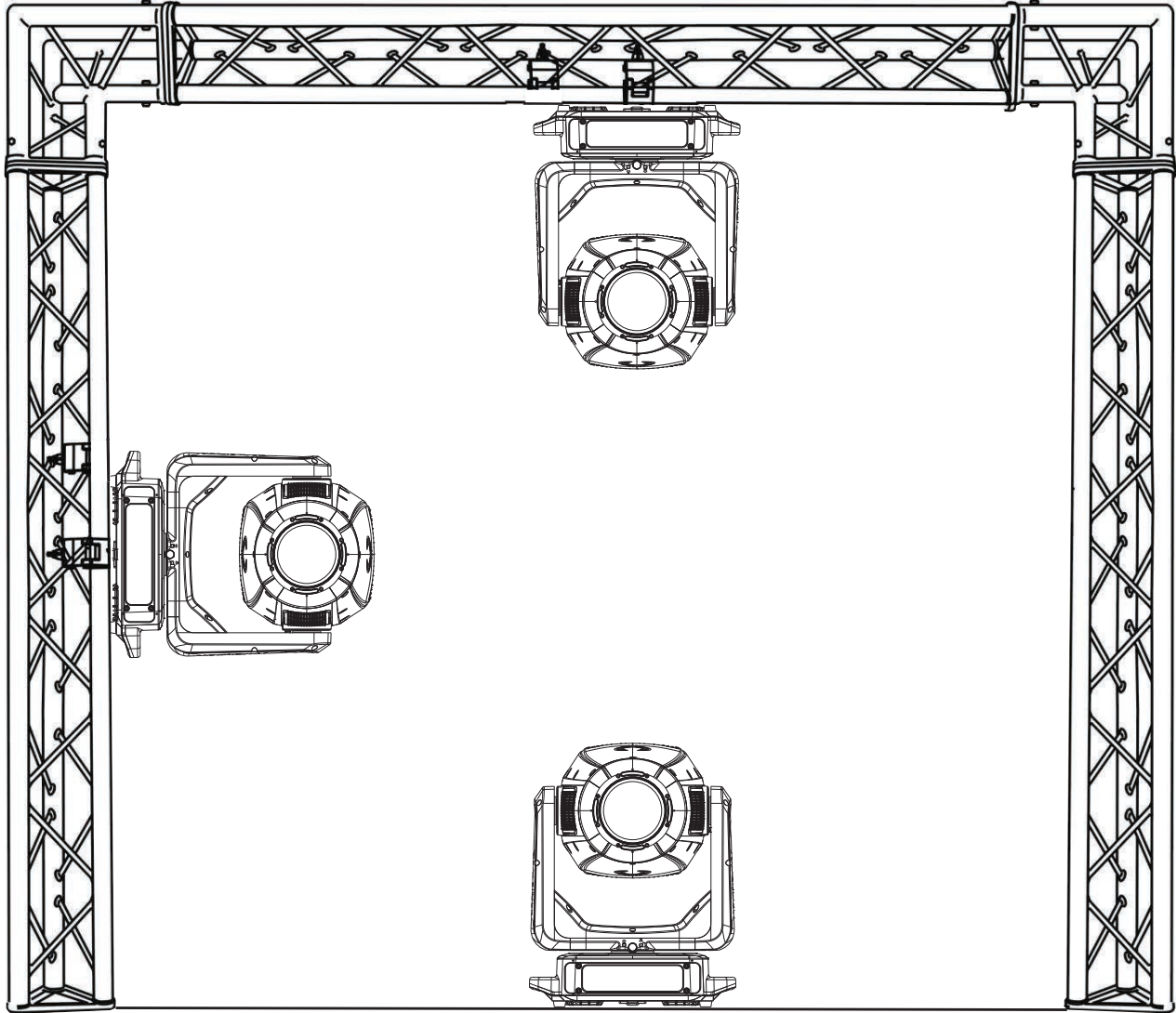


**ALWAYS ATTACH AN APPROPRIATELY RATED SAFETY CABLE WHENEVER INSTALLING THIS FIXTURE IN A SUSPENDED ENVIRONMENT IN ORDER TO ENSURE THE FIXTURE WILL NOT FALL IF THE CLAMP FAILS.**

# INSTALLATION GUIDELINES

## FIXTURE INSTALLATION

This fixture is fully operational in three different mounting positions: hanging upside-down, mounted sideways on trussing, or set on a flat level surface. Always use and install the supplied safety cable as a safety measure to prevent accidental damage and/or injury in the event the clamp fails.



**FALLING FIXTURES CAN CAUSE SEVERE INJURY OR SERIOUS EQUIPMENT DAMAGE! FOR THIS REASON, FIXTURES SHOULD BE INSTALLED AND INSPECTED ONLY BY QUALIFIED PERSONNEL. DO NOT INSTALL THE UNIT IF YOU LACK THE QUALIFICATIONS TO DO SO, OR IF YOU HAVE DOUBTS ABOUT THE SAFETY AND SECURITY OF THE INSTALLATION SETUP OR LOCATION!**



**ALWAYS ATTACH A SAFETY CABLE WHENEVER INSTALLING THIS FIXTURE IN A SUSPENDED ENVIRONMENT TO ENSURE THE FIXTURE WILL NOT FALL IF THE CLAMP FAILS.**

# INSTALLATION GUIDELINES

## ARTNET / sACN CONNECTIONS

When connecting the fixture to a network switch to control multiple devices, it is important to use a Gigabit Ethernet Switch that supports IGMP (Internet Group Management Protocol). Using a Gigabit Ethernet Switch that does not support IGMP can cause all devices connected to the switch to behave erratically. Refer to the link below for more information about IGMP.  
[https://en.wikipedia.org/wiki/Internet\\_Group\\_Management\\_Protocol](https://en.wikipedia.org/wiki/Internet_Group_Management_Protocol)

## POWER AND DATA CABLES



**SEAL ALL CONNECTIONS USING THE ATTACHED RUBBER CAPS WHEN NOT IN USE IN ORDER TO PREVENT WATER INTRUSION AND MAINTAIN IP54 RATING INTEGRITY.**

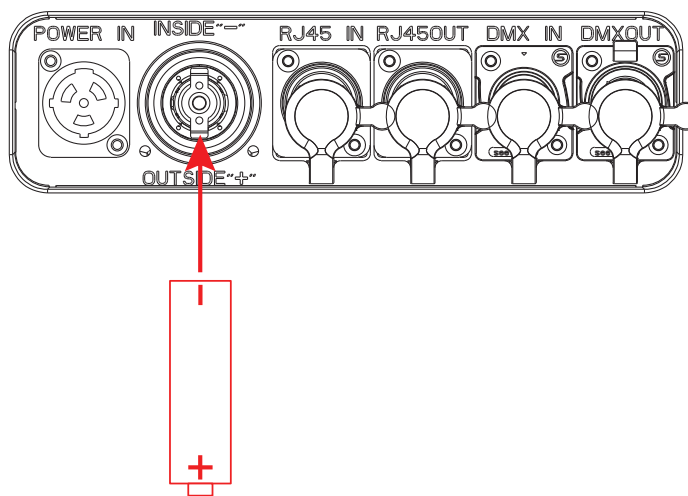
## RJ45 DATA CABLES



**THE CABLE CONNECTORS MAY NOT BE COMPATIBLE WITH OTHER RJ45 OR ETHERCON TYPE CONNECTORS.**

CAT5E, CAT6, or CAT6A network cable types are compatible with this fixture. Please note that while some network cables may incorporate an internal shielding mesh, this mesh may not extend to the end connector, or it may be present only in one end connector but not the other.

The RJ45 connectors have a passive data pass-through while the fixture is powered off.



## BATTERY REPLACEMENT



**Installing the battery in the incorrect orientation, where the Plus (+) is inside and Negative (-) is outside, will lead to internal electronics and battery damage. A qualified electrician should be used for all electrical connections and/or installations.**

1. Loosen the screw cap for the battery compartment.
2. Remove old battery and replace (**inside “-”, and outside “+”**).

**NOTE:** Replace the battery only with an Li-ion battery (IRC14500/700mAh), which can be ordered from the Elation Parts Website <https://parts.elationlighting.com>. Replace and tighten screw cap for the battery compartment.

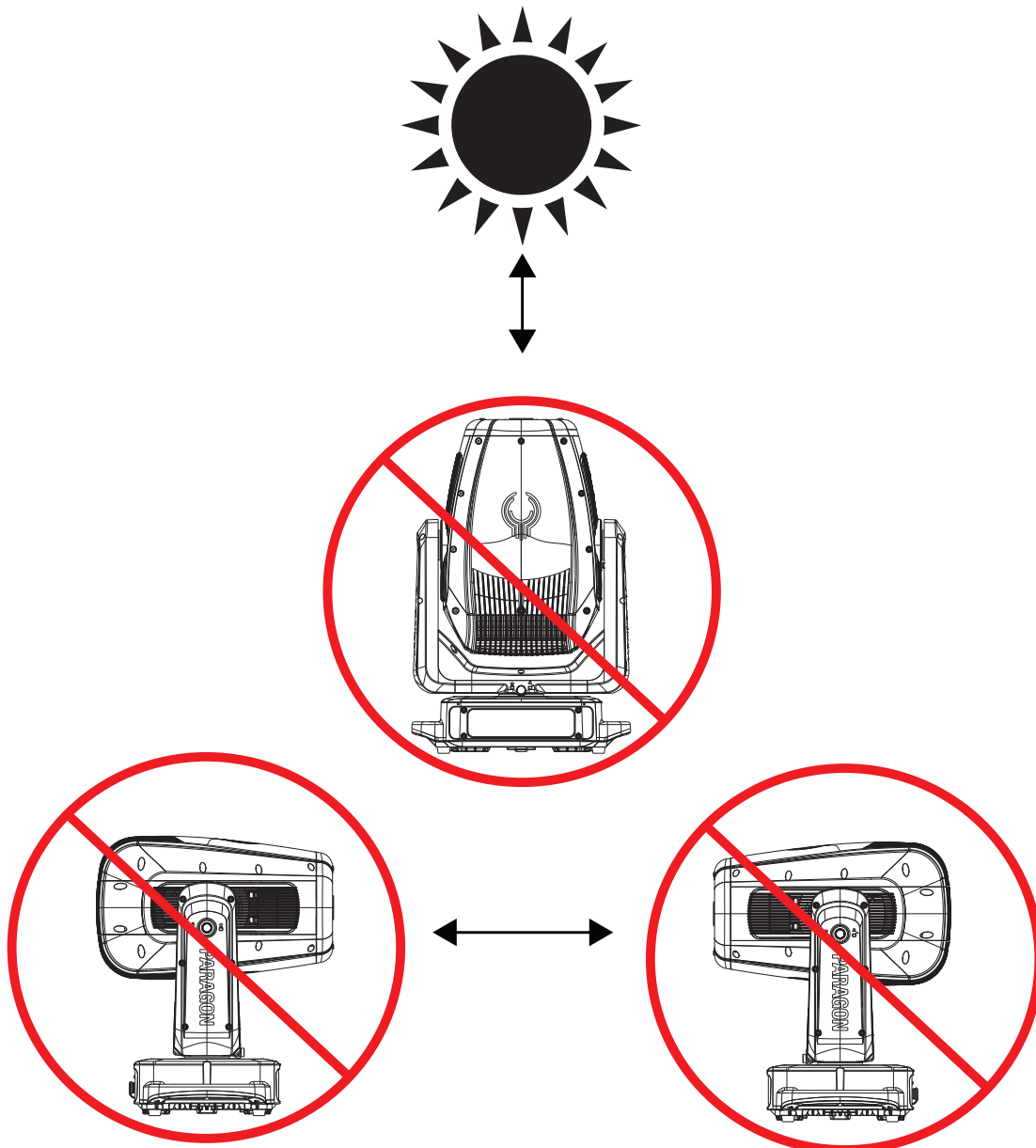
# INSTALLATION GUIDELINES

## POTENTIAL INTERNAL FIXTURE DAMAGE FROM EXTERNAL SOURCES OF LIGHT BEAMS

External sources of light beams from direct sunlight, lighting moving head fixtures, and lasers, which are focused directly towards the exterior housing and/or penetrate the front lens opening of ELATION lighting fixtures, can cause severe internal damage including burning to optics, dichroic color filters, glass and metal gobos, prisms, animation wheels, frost filters, iris, shutters, motors, belts, wiring, discharge lamps, and LEDs.

This issue is not specific only to ELATION lighting fixtures, it is a common issue with lighting fixtures from all manufacturers. Although there is no true way to fully prevent this issue from happening, the guidelines below can prevent any potential damage from occurring if followed. Contact ELATION Service for more details.

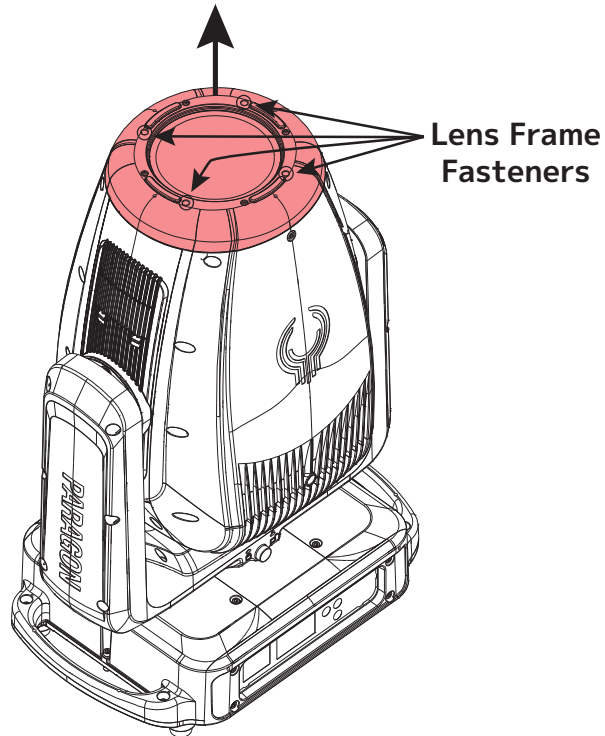
**DO NOT EXPOSE THE FIXTURE AND/OR FRONT LENS OPENING TO LIGHT BEAMS FROM DIRECT SUNLIGHT, OTHER LIGHTING MOVING HEAD FIXTURES, AND LASERS WHILE UNPACKING, INSTALLATION, USE, AND EXTENDED IDLE TIMES OUTDOORS. DO NOT FOCUS A LIGHT BEAM FROM ONE LIGHTING FIXTURE DIRECTLY TOWARDS ANOTHER.**



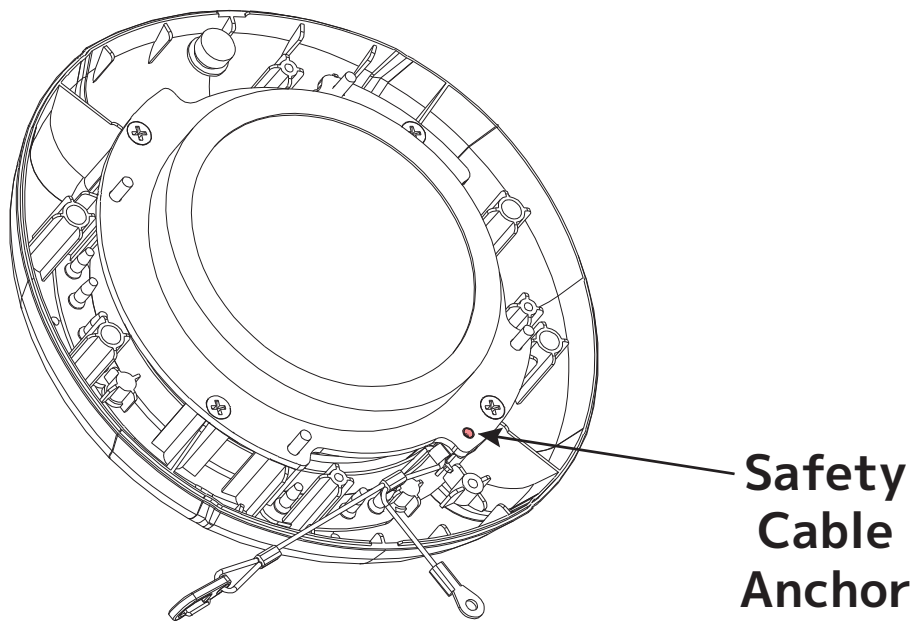
# ACCESSORY INSTALLATION

## LENS KITS

1. Remove the four (4) lens frame fasteners. Detach the lens frame safety cable, then remove the lens frame assembly from the head of the fixture.



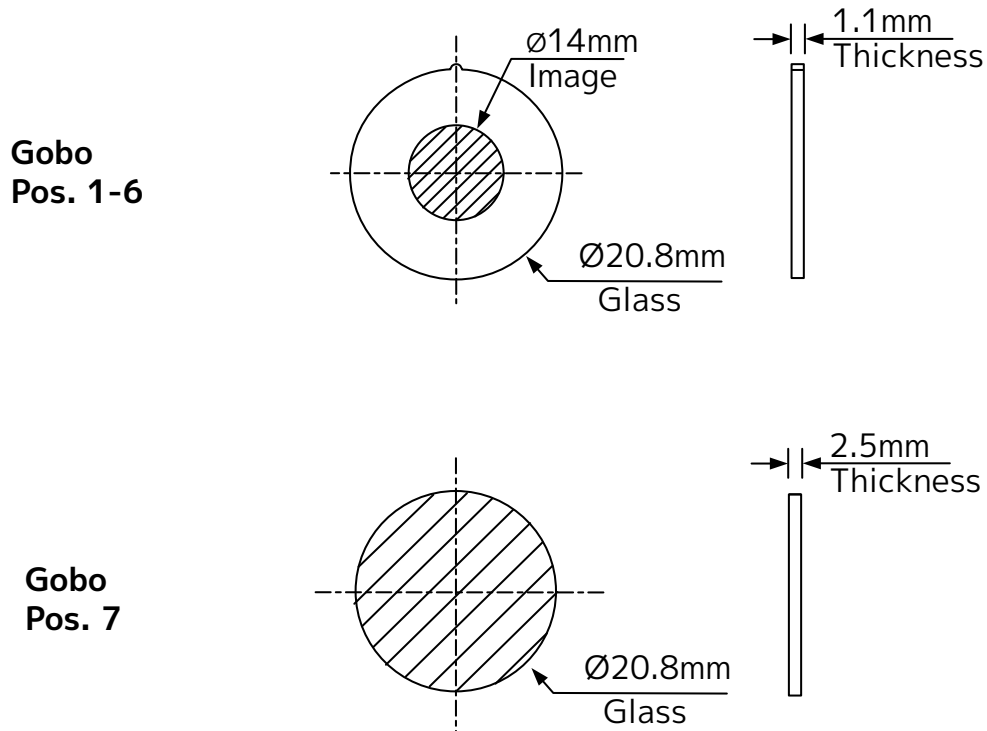
2. Detach the safety cable holding the lens frame in place, and remove the lens frame assembly.



3. Install the desired lens frame assembly. Make sure to re-attach the safety cable, then re-install the four (4) fasteners to secure the assembly in place.

# CUSTOM GOBOS

| ROTATING GOBO WHEEL GOBOS      | Pos. 1-6      | Pos. 7         |
|--------------------------------|---------------|----------------|
| Gobo O.D. (Max Outer Diameter) | ø20.8mm       | ø20.8mm        |
| Gobo I.D. (Max Image Diameter) | ø14mm         | N/A            |
| Gobo Thickness                 | 1.1mm ± 0.1mm | 2.5mm ± 0.15mm |
| Gobo Material                  | Glass         | Glass          |



Please be aware of the intended position and correct sizing requirements of custom gobos.

**\*\*\* IMPORTANT NOTICE REGARDING CUSTOM GOBOS \*\*\***

Due to the high temperature optical system, special material is required for custom gobos. Due to varying manufacturing processes and tolerances, it is highly recommended to provide a gobo sample and holder from the fixture to the custom gobo vendor for accurate sizing. Extended testing of custom gobo designs is highly recommended prior to use. Contact ELATION SERVICE for further information.

**ELATION SERVICE USA -Monday -Friday 8:00am to 4:30pm PST**

**323-582-3322 | support@elationlighting.com**

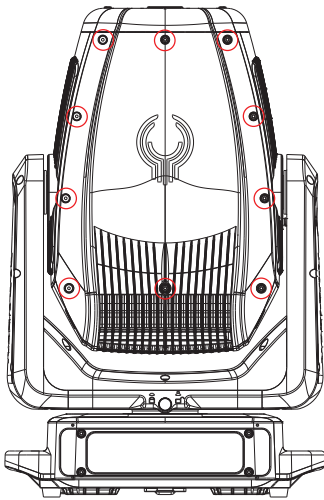
**ELATION SERVICE EUROPE -Monday -Friday 08:30 to 17:00 CET**

**+31 45 546 85 63 | support@elationlighting.eu**

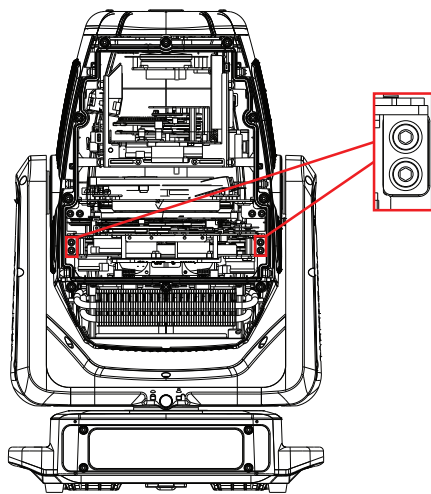
# GOBO REPLACEMENT

1. Remove the ten (10) screws on each side of the head cover, then remove the cover (left). Locate the four (4) fasteners securing the gobo module in place (center), then disconnect the electrical and data connector for the module. Loosen the four (4) 3mm Hex screws that hold the module in place, then remove from the head (right).

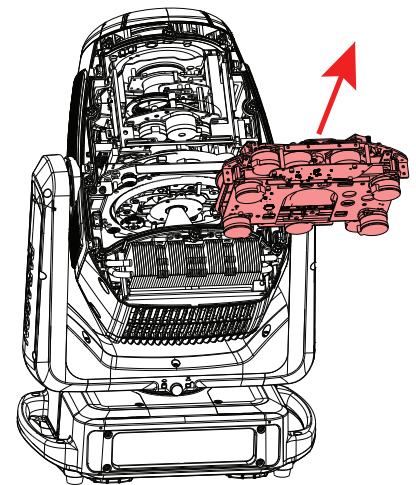
**Head Cover  
Fastener  
Locations**



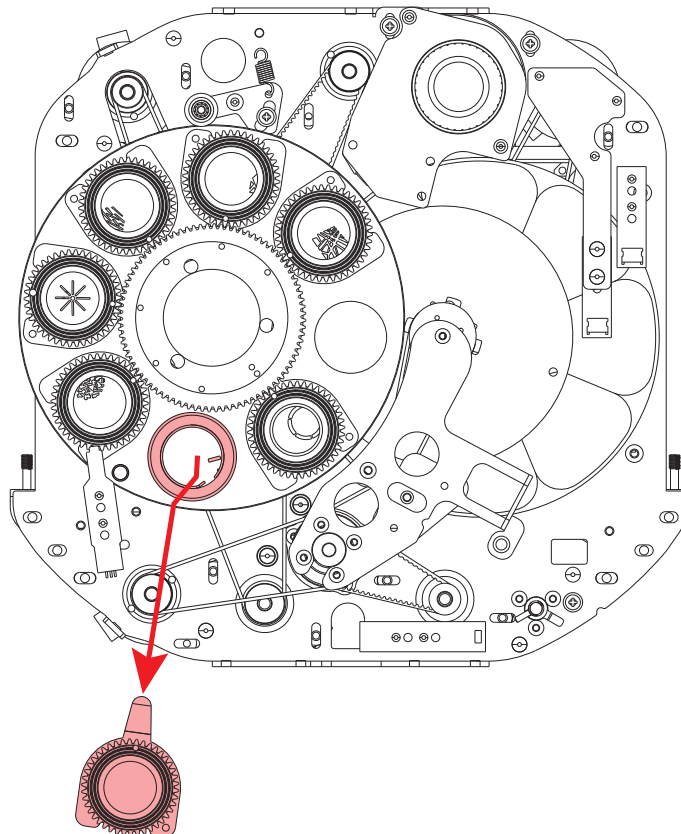
**Gobo  
Module  
Fasteners**



**Remove  
Gobo  
Module**

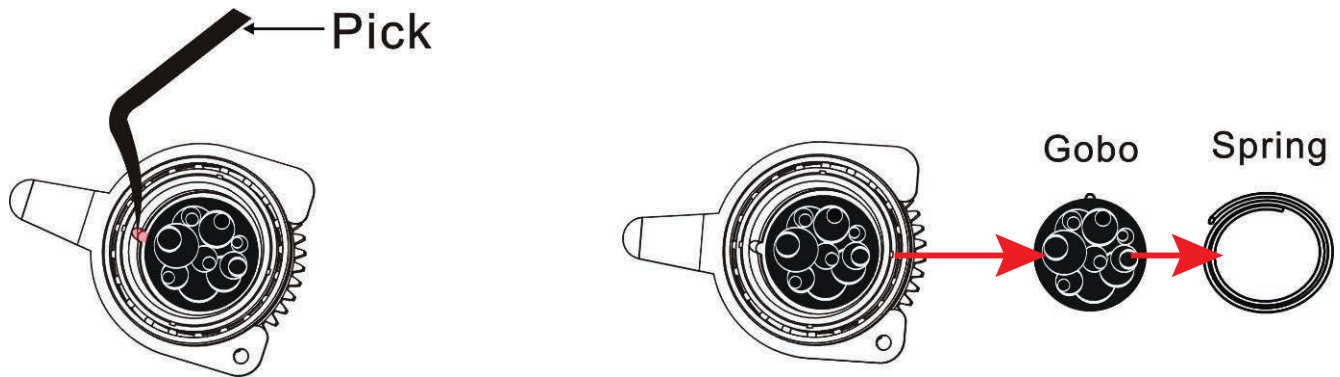


2. Firmly grasp the gobo holder containing the gobo that you wish to replace. Lift the gobo holder clear of its socket in the gobo wheel, then pull the gobo holder outward. The gobo holder should come free of the gobo wheel.

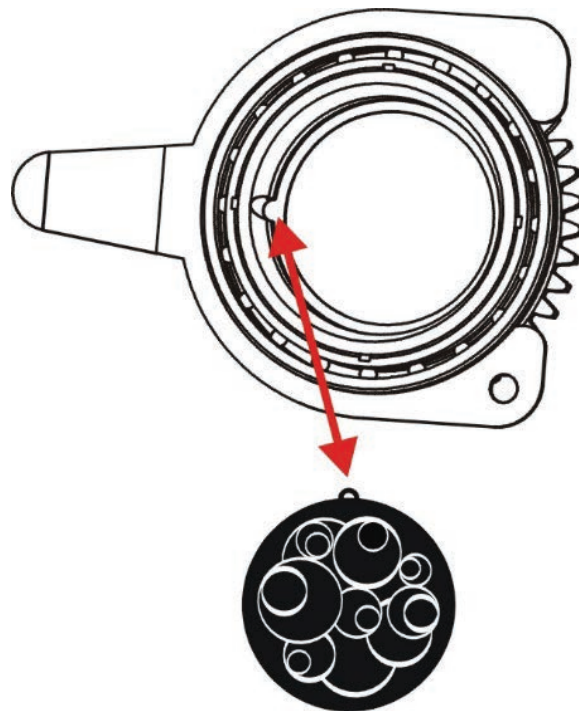


## GOBO REPLACEMENT

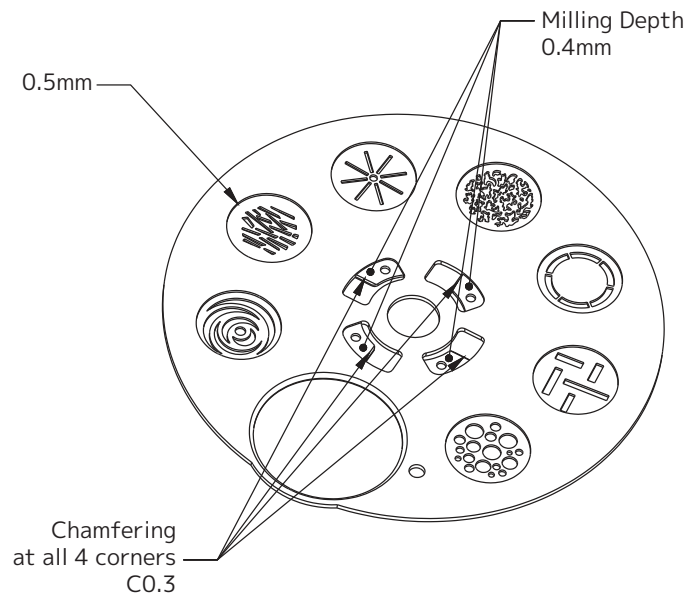
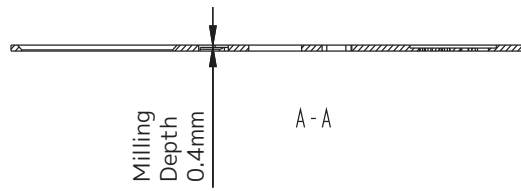
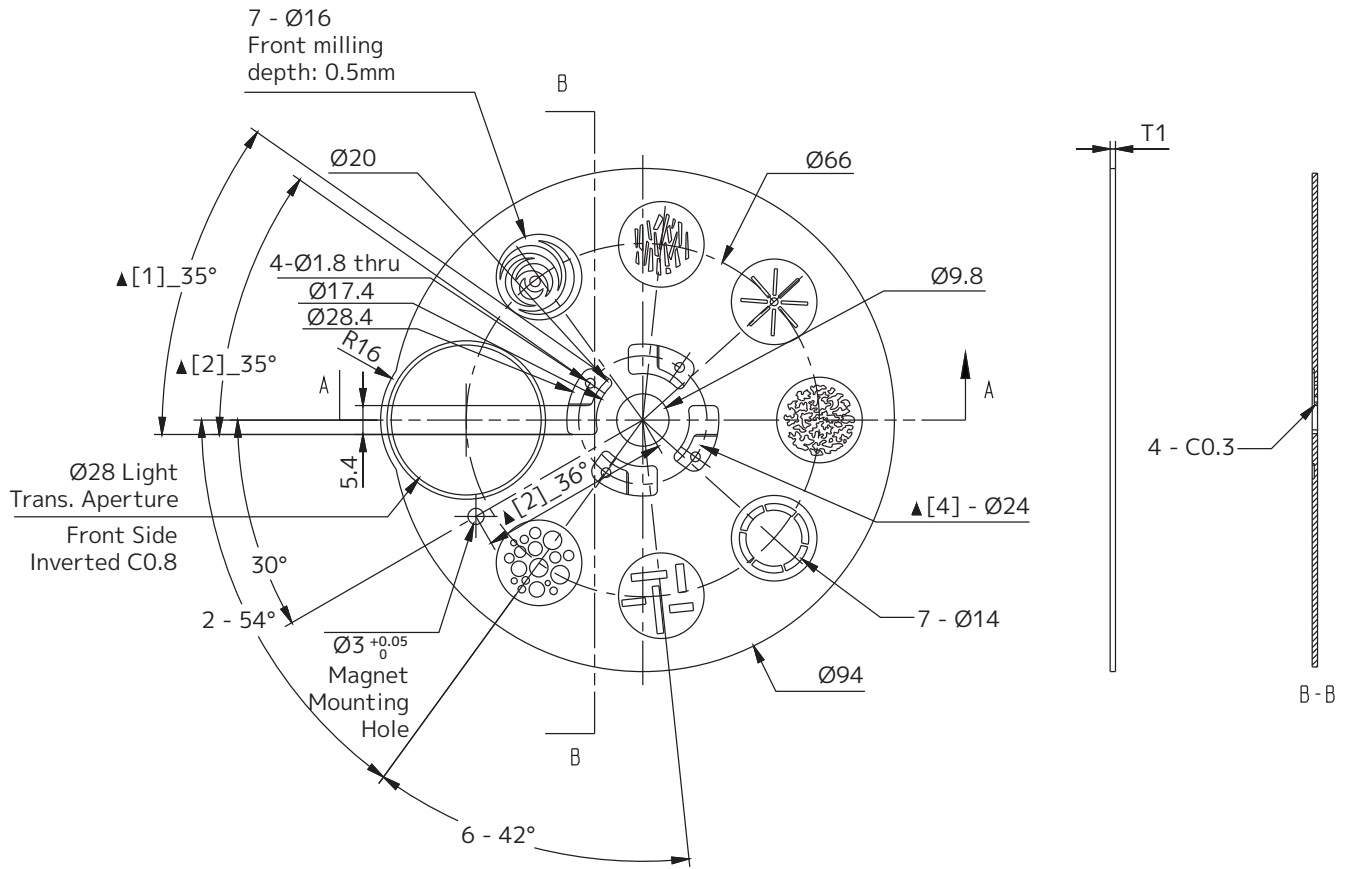
3. Place the gobo holder on a flat, stable surface with the geared wheel facing downwards. Use a pick to press the tab that releases the gobo spring, then remove both the spring and the gobo from the holder. **Use caution to avoid scratching the gobo during this process.**



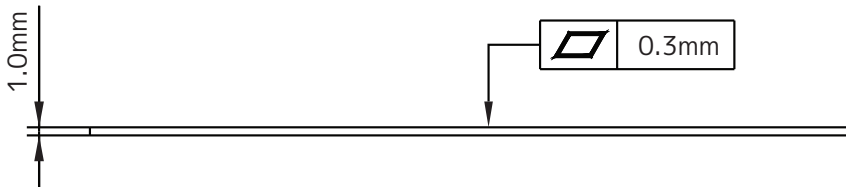
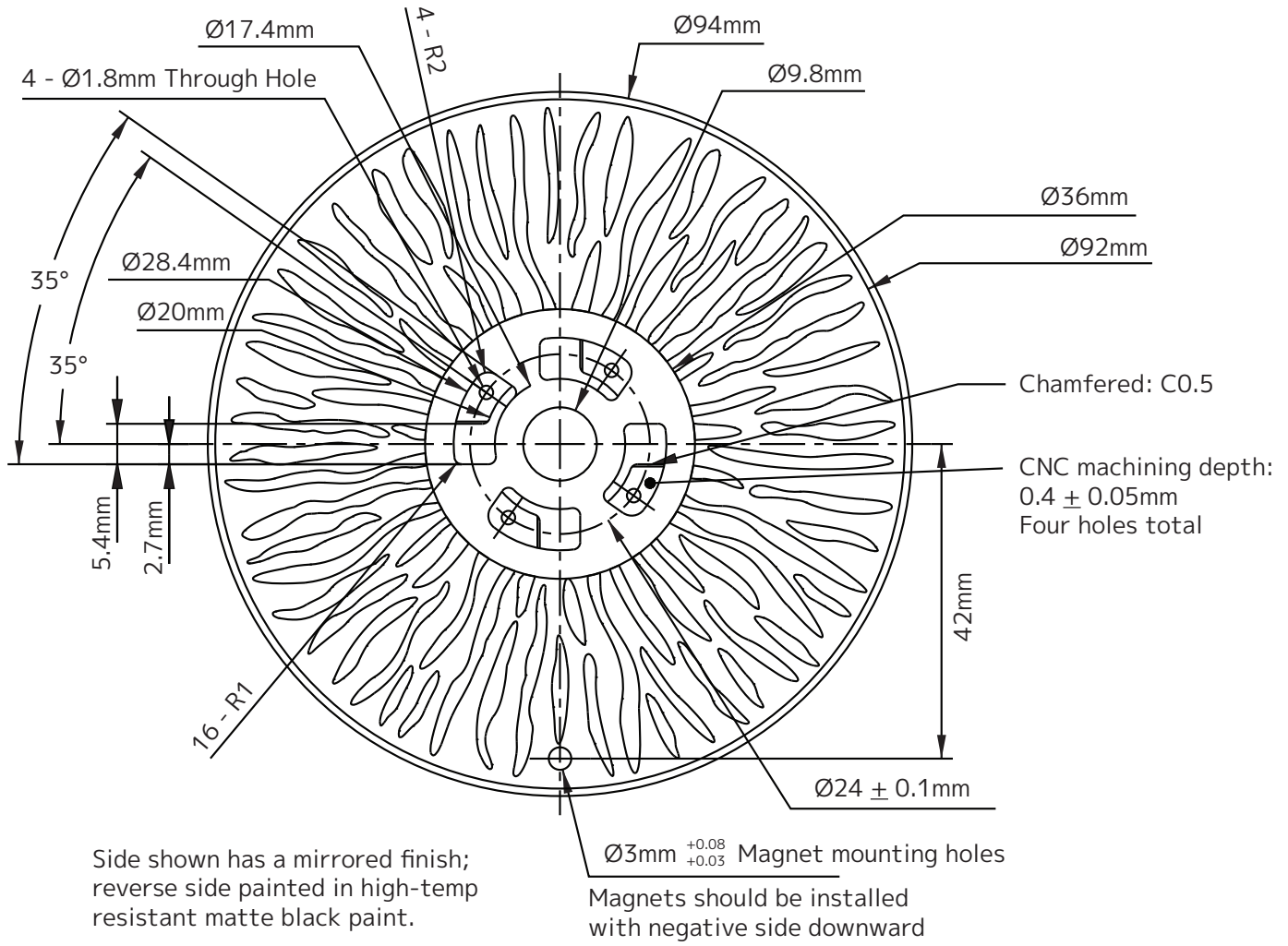
4. Place the new gobo in the gobo holder, making sure that the indexing tab on the gobo is aligned with the notch in the gobo holder. Secure in place with the gobo spring, then reassemble the unit by reversing steps 1-3.



# GOBO WHEEL DIMENSIONS



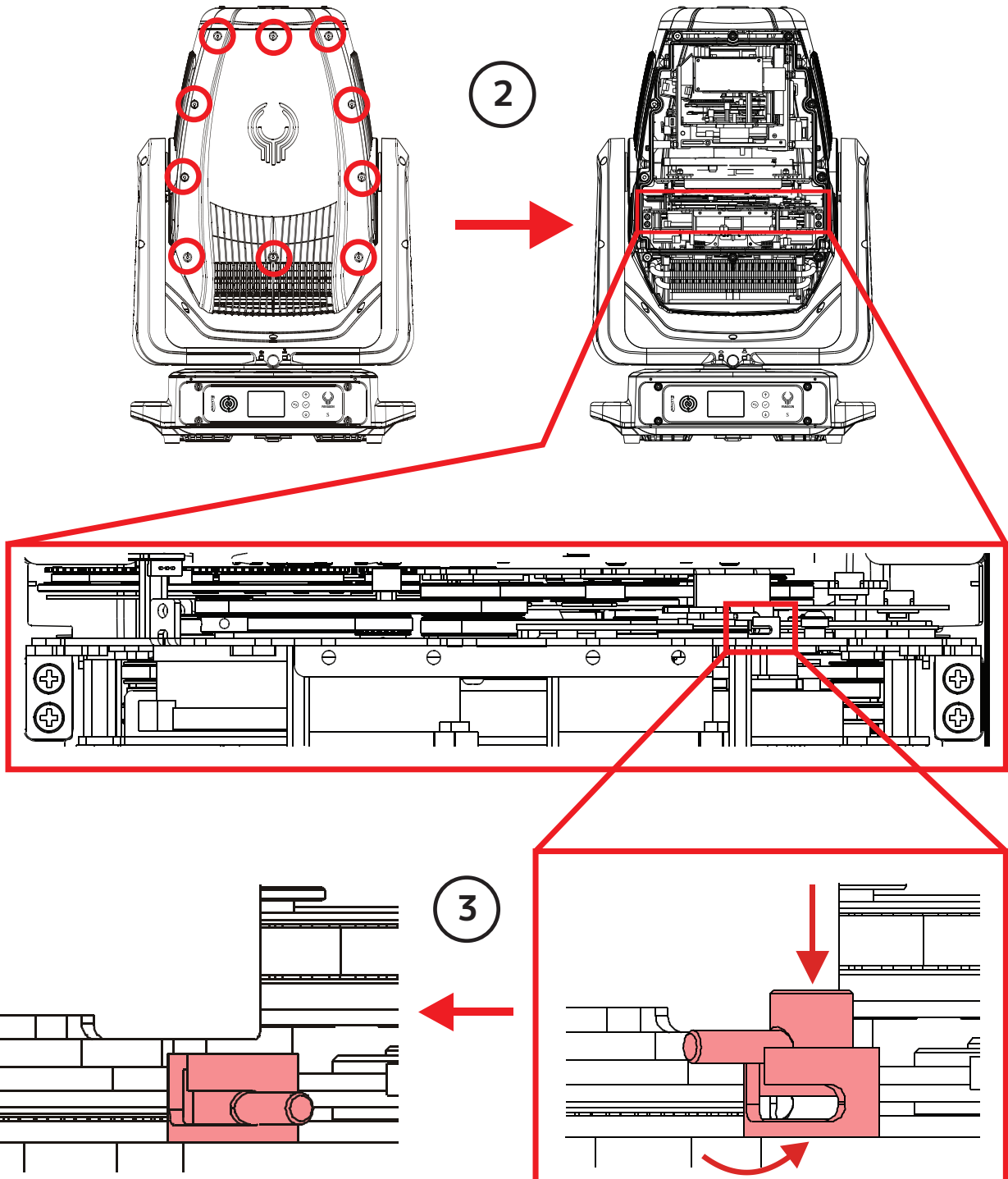
# ANIMATION WHEEL DIMENSIONS



# ANIMATION WHEEL REPLACEMENT

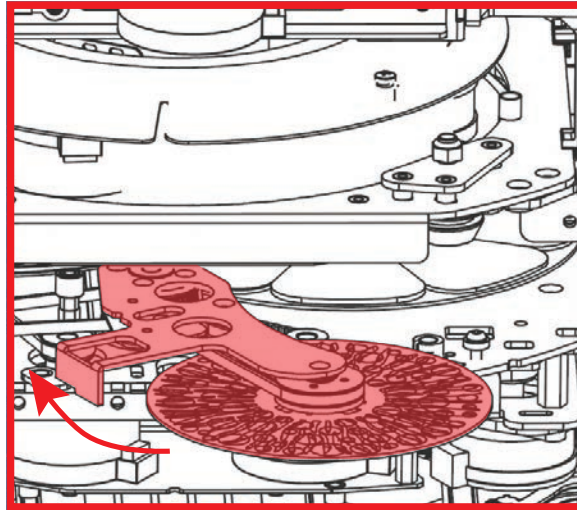
This fixture's animation wheel can be removed and replaced with an additional fixed gobo wheel. Follow the directions below to remove and replace the animation wheel.

1. Disconnect the fixture from power and allow the fixture 10 minutes to cool down. Rotate the head to the vertical orientation, then fix in place with the pan and tilt locks.
2. Remove the ten fasteners holding the head cover in place, then undo the safety cable and remove the cover. Locate the animation wheel module, as shown in the illustration below.
3. Locate the animation wheel's stopper. Push down on the top of the stopper, then rotate the arm of the stopper into the notch.

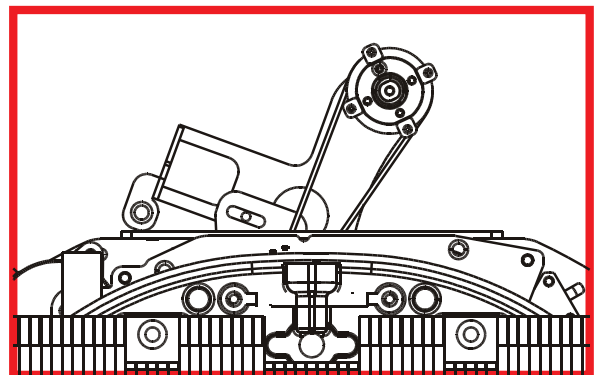
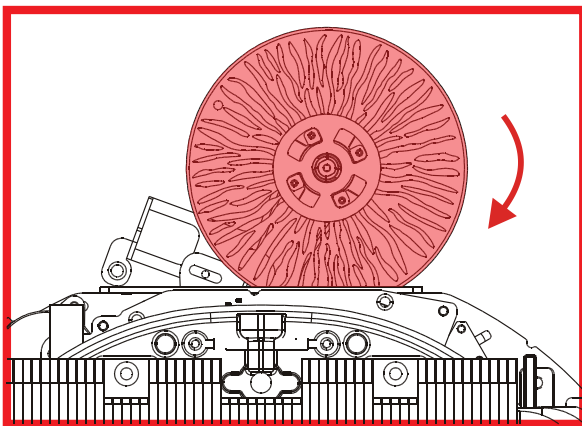


# ANIMATION WHEEL REPLACEMENT

4. Gently rotate the animation wheel assembly outward so that the animation wheel is accessible.



5. Hold the animation wheel assembly steady, then rotate the animation wheel itself clockwise to unlatch it from the assembly. The wheel can now be removed, and the fixed gobo wheel can be attached to the exposed connector. Re-assemble the fixture by reversing these steps.

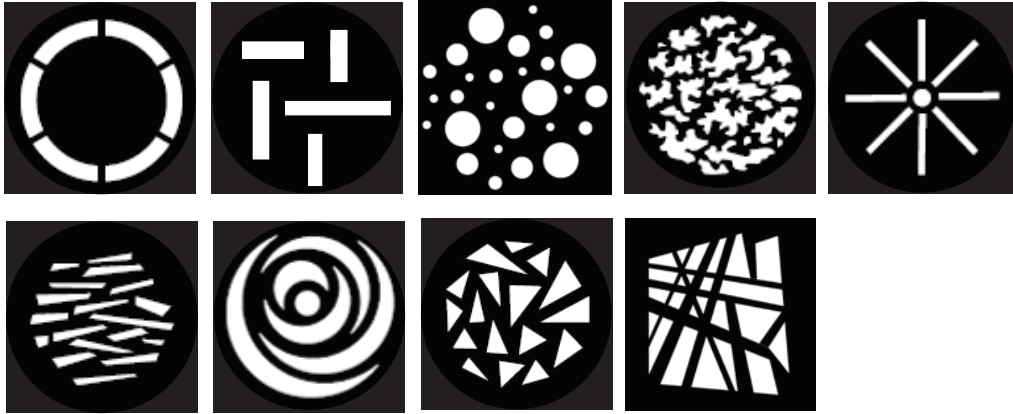


# GOBOS, COLORS, AND EFFECTS

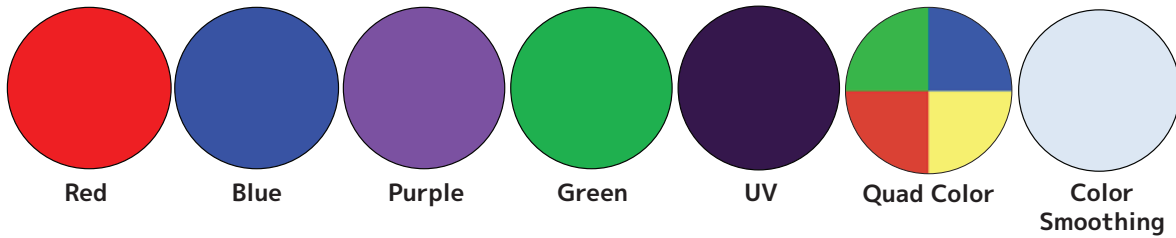
## ROTATING GOBOS



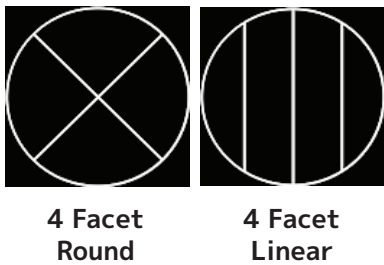
## FIXED GOBOS



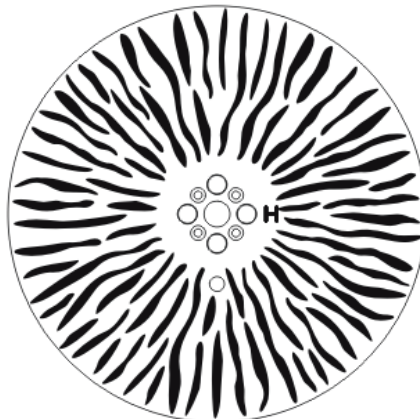
## COLORS



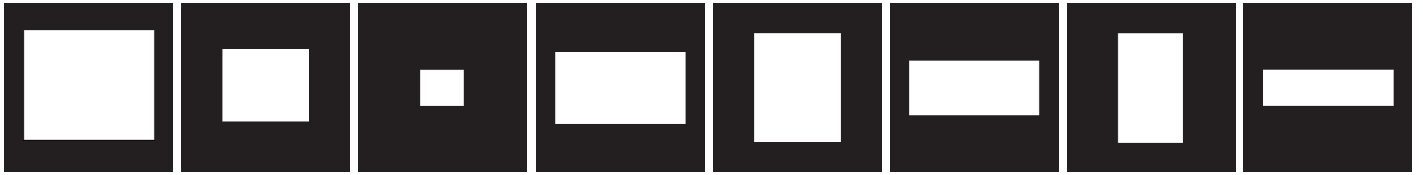
## PRISMS



## ANIMATION WHEEL



# FRAMING MACROS



1

2

3

4

5

6

7

8



9

10

11

12

13

14

15

16



17

18

19

20

21

22

23

24



25

26

27

28

29

30

31

# SUN PROTECTION MODE

The fixture incorporates an automatic protection from harmful sunlight, which can damage a fixture's internal components from extended exposure. Fixtures use an internal sensor to determine their physical orientation, then reorient the fixture towards the ground to prevent sunlight from entering the lens.

This automatic feature only works when the fixture is powered. If the fixture is unpowered during setup, it is necessary to manually reorient the lenses away from the sun, and aim them towards the ground. Even a few minutes of sun exposure can cause damage inside the fixture.

The Sun Protection setting is accessed via the "No DMX Status" menu.

The automatic sun protection positioning is activated under the following conditions:

1. Power on without DMX signal: the fixture always starts in sun protection mode.
2. No DMX Status "Sun Protection": the fixture enters sun protection mode after approximately 3 minutes.
3. Remote DMX control: the sun protection position can be **temporarily** activated from the lighting console without the need to create a custom position preset. The fixture senses the correct ground orientation. This means that fixtures already facing the ground may not move their heads.

Hold "Sun Protect Position" for 3s to set the fixture to the sun protection position.

Sun protection status displays as "**Sun Protection: Active**".

The sun protection position deactivates under the following conditions:

1. Connect DMX signal.
2. Remote DMX control: Hold "Sun Protection Off" for 3s.

To avoid harsh or jarring movements, the sun protection position always uses a 5-second fade time when it is activated or deactivated.

# HIBERNATION MODE

To reduce wear on the fixture and its components, this mode disables motors and most electronics. Set the hibernation mode countdown time in the Display Menu: "Status Settings / Personality / Hibernation". Hibernation can be fully disabled.

The hibernation mode activates under the following conditions:

1. Loss of DMX: the fixture enters hibernation after the timeout expires. Default is 15 minutes.
2. Remote DMX control: Hold "Hibernate Fixture" for 3s

The hibernation mode deactivates under the following conditions:

1. Connect DMX Signal
2. Remote DMX control: Hold "Hibernate Off" for 3s

The fixture will perform a full calibration cycle, then assume the current DMX status.

Please note that the Hibernation does not change the PT position of the fixtures, allowing the user to set the desired position and then issue the Hibernate command.

To ensure the fixture is protected from harmful sunrays it is recommended to either leave the "No DMX Status" in "Sun Protection" (so the fixture is already in the correct position after 3 minutes of DMX loss) or set the fixture to a safe Tilt position manually first before hibernation.

**Burn and heat damage to the fixture's interior components due to external light sources (sun or other fixtures shining into the lens) is never covered under the manufacturers warranty.**

# NEAR FIELD COMMUNICATION (NFC)

Near Field Communication (NFC) is a short-range wireless technology, operating at 13.56 MHz, that enables secure data exchange between devices within a proximity of 6-inches. With NFC, one can use an Android or iOS device to configure an NFC compatible fixture. NFC has three modes of operation: Reader/Writer Mode, which allows an NFC device to read or write data to an NFC tag; Peer-to-Peer Mode, enabling data exchange between two NFC devices; and Card Emulation Mode, which lets an NFC device emulate a contactless smart card. The technology is built on RFID standards, including ISO/IEC 14443 and ISO/IEC 18092, ensuring compatibility between NFC devices. Despite its lower data transfer rates compared to Wi-Fi or Bluetooth, ranging from 106 kbps to 424 kbps, NFC incorporates encryption and authentication protocols. NFC tags on lighting fixtures simplify setup and adjustments, and aid in tracking and maintenance when integrated into lighting equipment.

## NFC Setup and Usage

- Enable NFC: Activate NFC on both the control device and the moving head fixture.
- Physical Proximity: Bring the control device near the designated NFC area of the fixture indicated by the NFC directional mark shown here.



- Initiate Connection: The NFC-enabled device should automatically detect the fixture, prompting a connection notification.
- Confirmation: Accept the connection request to establish a link between the control device and the fixture.
- Configuration Options: Adjust lighting settings, presets, and modes via the control device, depending on fixture capabilities.
- Data Exchange: Use NFC to transfer presets, scenes, and firmware updates between devices, simplifying data sharing.

## Tips for Successful NFC Interaction

- Proximity: Maintain a short-range distance, within 6-inches, between the control device and the indicated NFC area of the fixture.
- Device Compatibility: Ensure your device supports NFC, and has the necessary apps for interaction.
- Interference: Avoid obstacles between the devices, like metal objects, to ensure smooth communication.
- Security: Disable NFC when not in use for added security against unauthorized access.

# REMOTE DEVICE MANAGEMENT (RDM)

**NOTE: In order for RDM to work properly, RDM enabled equipment must be used throughout the entire system, including DMX data splitters and wireless systems.**

Remote Device Management (RDM) is a protocol that sits on top of the DMX512 data standard for lighting, and allows the DMX systems of the fixtures to be modified and monitored remotely. This protocol is ideal for instances in which a unit is installed in a location that is not easily accessible.

With RDM, the DMX512 system becomes bi-directional, allowing a compatible RDM enabled controller to send out a signal to devices on the wire, as well as allowing the fixture to respond (known as a GET command). The controller can then use its SET command to modify settings that would typically have to be changed or viewed directly via the unit's display screen, including the DMX Address, DMX Channel Mode, and Temperature Sensors.

## FIXTURE RDM INFORMATION:

| Device ID | Device Model ID | RDM Code | Personality ID   |
|-----------|-----------------|----------|--|
| Open      | 0x742           | 1858     | Standard (41Ch), Extended (64Ch), Standard Fixed Gobo (41Ch), Extended Fixed Gobo (64Ch) |

Please be aware that **not all RDM devices support all RDM features**, and therefore it is important to check beforehand to ensure that the equipment that you are considering includes all of the features that you require.

The following parameters are accessible in RDM on this device:

| CODE   | PARAMETER                   |
|--------|-----------------------------|
| 0x0200 | Sensor Definition           |
| 0x0201 | Sensor Value                |
| 0x0080 | Device Model Description    |
| 0x0081 | Manufacturer Label          |
| 0x0082 | Device Label                |
| 0x00E0 | DMX Personality             |
| 0x00E1 | DMX Personality Description |
| 0x0400 | Device Hours                |
| 0x0401 | Engine Hours                |
| 0x0600 | Pan Invert                  |
| 0x0601 | Tilt Invert                 |
| 0x0500 | Display Invert              |

# ARIA SETUP AND GUIDELINES

**This fixture is equipped with Aria X2. Please note that Aria's wireless functions are switched off by default.** Activate Aria X2 and Bluetooth in the system menu to take advantage of the fixture's wireless feature set for wireless connectivity and over the air software updates.

## 2.4GHZ Versus Sub-Gig (GHz) Frequencies:

Sub-GHz frequencies provide superior reliability and range compared to higher frequencies, making them perfect for consistent communication across vast distances or in difficult conditions. Devices operating in the sub-GHz range, which refers to frequencies below 1 GHz, can transmit signals over significant distances and can penetrate physical barriers such as walls and buildings more effectively. Additionally, these frequencies experience less interference compared to those in the heavily congested 2.4-GHz band, which is commonly used by wireless devices.

In the United States, the 900 MHz band is a versatile frequency range that is utilized by various services, with the FCC overseeing its allocation and regulation.

In the European Union, the 868 MHz frequency is designated by ETSI as the Sub-Gig frequency.

In summary, if an application demands high data rates and more bandwidth in urban or densely populated areas where interference management is feasible, the 2.4 GHz frequency is a suitable choice. On the other hand, for applications requiring long-range communication and better obstacle penetration, particularly in rural or industrial settings with fewer regulatory constraints, a sub-GHz frequency (<1 GHz) is a better option.

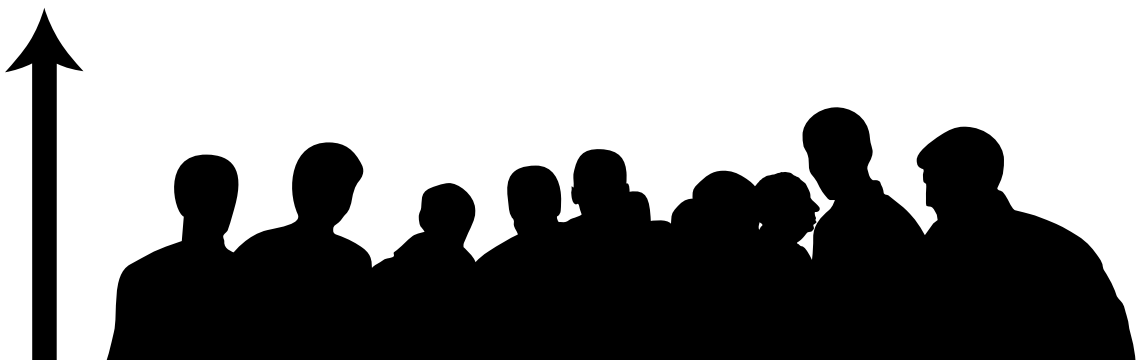
## Installation Recommendations:

With the many factors that affect and/or interrupt a wireless signal such as walls, glass, metal, objects, and people, it is highly recommended to:

- Install devices a minimum of 9.8 ft. (3m) above audiences and/or ground level where practical.
- Adjust the wireless antenna in a vertical upright position
- Position devices in direct line of sight of the controlling device

Careful planning and testing of the selected installation location is critical to ensure optimum and reliable wireless operation.

**9.8 ft (3m)  
Above Ground**



# ARIA SETUP AND GUIDELINES

## GENERAL INFORMATION

The Aria Bluetooth app has the ability to connect wirelessly to any device that has Aria wireless DMX installed and has Bluetooth enabled.

Before installing the fixture in a remote location, double check that the fixture's main power is switched on, and that the Bluetooth function has been enabled in the fixture's system menu. Certain fixtures may have Bluetooth disabled by default. If this function is disabled, then the fixture cannot be configured remotely using the Aria app, and will have to be configured directly from the fixture's control screen.

Additionally, the user should consider setting the fixture's No DMX setting to "Hold Last". This will allow the fixture to continue running using the current settings, even if the Aria app device moves out of range, the app is closed, or the signal is otherwise interrupted, minimizing disruption in the operation of the fixtures.

## LEGACY DEVICES

Please note that legacy connected devices, such as those using Wifly, E-Fly, or Magfly, are not compatible with this app. For such legacy devices, the use of a bridge is recommended, as the bridge can communicate with these devices via its SM220 protocol.

The Aria X2 BLE app is currently available from the Apple app store.

## FIXTURE IDENTIFICATION

Aria compatible devices can be identified and connected via the Fixtures tab in the app. This tab displays a field of twenty-four buttons that can be assigned to Aria compatible devices that are within range, and the buttons will automatically be assigned to devices in the order in which they are discovered. If more than twenty-four units are within range, it may be necessary to use the filter feature to search for the desired fixture. Button location can be edited by selecting the configuration key, then the user can drag and drop the buttons to the desired location and hit save to keep changes. Once a device is known to the app, it can also be assigned to a particular button. From that point forward, the assigned device will always be assigned to that button location.

**IMPORTANT NOTE:** For version 0.65 or higher, a shared system password is required to connect to any device.

Unlike wireless DMX, Bluetooth is a connect first protocol. To connect to a device or fixture, tap the assigned button in the **Fixtures** tab. If the connection is successful, a green frame will appear around the button, indicating that the app was able to retrieve the current channel values from the fixture. The app must be connected to a fixture in order to use its channel controls or view and change settings. Please note that not all Aria devices have channel controls.

Additionally, each fixture can only be connected to one device with the app at any given time. Once a fixture is connected to the app installed on one device, any other devices will be blocked from connecting. As a result, when setting up a new fixture for the first time, best practice is to have only a single user with the app open within range, in order to ensure that the fixture pairs to the intended user's device.

# ARIA SETUP AND GUIDELINES

The second table section shows all Aria devices detected in range. A checkmark indicates the device is currently assigned to a button. If more than 24 devices are within range, the user may remove or add devices to the buttons list by tapping a row to check or uncheck a device. If all buttons are full, it will be necessary to uncheck a device before adding another.

**Filter:** The user can filter which Aria devices get button assignments by tapping “filter” at the top of the view. A popup will appear where the user can enter text to filter devices by username, model name, or manufacturer. **Please note that these searches are case sensitive.**

**Note:** If a device shows an asterisk (\*) it means that there is no fixture profile currently available, and therefore there will be limited support available for that device. The user will still be able to connect and adjust channels if the device supports that feature, but the user will not be able to view how many channels the device has or the channel names.

## SECURITY

Each fixture must have a password saved to be secure. When a new fixture is installed for the first time, its password will automatically be set to the app’s system password on first connection. Once the password has been entered, the user will need to exit out to the main page containing the fixture buttons, then de-select and re-select the fixture to lock in the password. From that point forward only, controlling devices that use the correct password can connect to this fixture. **This security is now required by law in most jurisdictions.**

The app will detect any Aria capable fixture within range, even if the app does not have the password to that fixture and therefore cannot access that fixture. If that fixture is selected in the app, the green frame will momentarily appear around that fixture’s button, but then disappear. This indicates that the fixture is visible but inaccessible.

# SYSTEM MENU

The fixture includes an easy to navigate system menu. The control panel display is located on the rear panel of the fixture (see image below) and provides access to the main system menu, where all necessary system adjustments are made to the fixture. During normal operation, navigate through the different functions and access the sub-menus with the DOWN and UP buttons. Press the ENTER button to select the option displayed, and use the DOWN and UP buttons to make adjustments. Pressing the ENTER button once more will confirm the setting. Exit the main menu at any time without making any adjustments by pressing the BACK button.

## CONTROL PANEL LOCKOUT

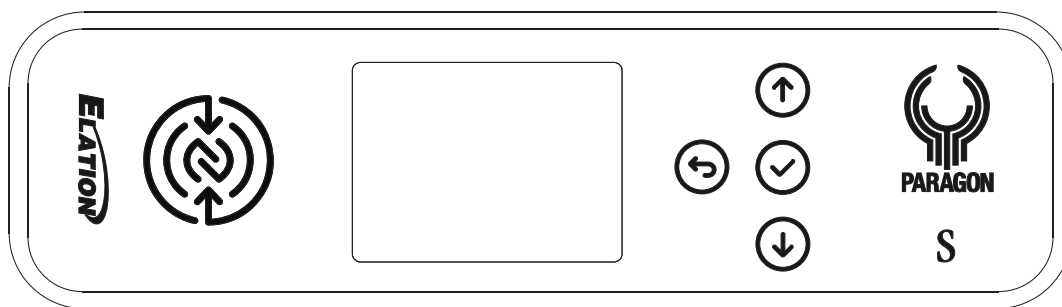
The control keys can be configured to lock after a pre-set period of inactivity. This setting is switched off by default, but can be switched on and set to a value between 10 seconds and 5 minutes. To change this setting, use the control panel keys to navigate to Settings > Display > Screen Lock in the system menu, then use the UP and DOWN keys to select your desired value and press the ENTER button to confirm your selection. **To unlock the controls, press UP, DOWN, UP, DOWN, ENTER.**

## ARIA

**This fixture is equipped with Aria X2. Please note that Aria's wireless functions are switched off by default.** Activate Aria X2 and Bluetooth in the system menu to take advantage of the fixture's wireless feature set for wireless connectivity and over the air software updates.

## BATTERY

This unit features a dedicated battery that can be used to power the screen display. This allows the user to configure the device's channel mode, DMX address, or any other screen-accessible features without needing to power on the device or even connect it to a power source. To activate the display on battery power, press and hold the ENTER button for 3 seconds.



**AN ELATION E-LOADER III CAN BE USED TO UPDATE THE FIXTURE TO THE LATEST SOFTWARE.** To order this device, please contact Elation Support for further details. Alternately, updates can be performed over the Aria connection.

Detailed instructions can be found online at [www.elationlighting.com](http://www.elationlighting.com).

**ELATION SERVICE USA - Monday - Friday 8:00am to 4:30pm PST**  
323-582-3322 | support@elationlighting.com

**ELATION SERVICE EUROPE - Monday - Friday 08:30 to 17:00 CET**  
+31 45 546 85 63 | support@elationlighting.eu

# SYSTEM MENU

| MAIN MENU        | OPTIONS / VALUES (Default Settings in <b>BOLD</b> ) |                  |  |
|------------------|---|------------------|--|
| <b>DMX</b>       | DMX Address   | <b>001</b> - xxx |  |
|                  | DMX Mode  | Standard         |  |
|                  |   | <b>Extended</b>  |  |
|                  | FX Wheel Option                                     | Animation        |  |
|                  |   | Gobo             |  |
|                  | No DMX Status                                       | <b>Hold Last</b> |  |
|                  |   | Fade to Black    |  |
|                  |   | Sun Protection   |  |
|                  |   | Hibernation      | Off, 1min - 99 min (default = <b>15min</b> ) |
|                  | Protocol  | Select Signal    | <b>DMX</b>                                   |
|                  |   |                  | Art-Net                                      |
|                  |   |                  | sACN   |
|                  |   |                  | Aria In - DMX Out                            |
|                  |   |                  | DMX In - Aria Out                            |
|                  |   | Universe         | <b>1</b>                                     |
|                  |   | DHCP             | <b>Off</b> / On                              |
|                  |   | IP Address       | 2.x.x.x                                      |
|                  |   | Subnet Mask      | <b>255.0.0.0</b>                             |
|                  |   | Ethernet DMX Out | <b>Off</b> / On                              |
|                  | Aria  | Enable Aria      | <b>Off</b> / On                              |
| Frequency        |   | <b>2.4Ghz</b>    |  |
|                  |   | Sub Gig - US     |  |
|                  |   | Sub Gig - EU     |  |
| 2.4Ghz Chan      |   | <b>00</b> - 15   |  |
| Sub Gig Chan     |   | <b>00</b> - 09   |  |
| Enable Mesh      |   | <b>Off</b> / On  |  |
| Enable Bluetooth | <b>Off</b> / On                                     |                  |  |
| <b>Control</b>   | Manual Control                                      | Control          |  |
|                  |   | Pan              |  |
|                  |   | Tilt             |  |
|                  |   | ...              |  |
|                  | Reset   | All              |  |
|                  |   | Pan Tilt         |  |
|                  |   | Color            |  |
|                  |   | Gobo             |  |
|                  |   | Focus Zoom       |  |
|                  |   | Others           |  |
|                  | Self Test   | All              |  |
|                  |   | Dimmer           |  |
|                  |   | Movement         |  |
|                  |   | Color Mix        |  |
|                  |   | Gobo             |  |
|                  |   | Framing          |  |
|                  |   | Beam             |  |

# SYSTEM MENU

| MAIN MENU                                  |                | OPTIONS / VALUES (Default Settings in <b>BOLD</b> ) |                                      |                           |
|--|----------------|---|--------------------------------------|---------------------------|
| <b>Settings</b>                            | Movement       | Pan Invert  | <b>Off</b> / On                      |                           |
|  |                | Tilt Invert   | <b>Off</b> / On                      |                           |
|  |                | Pan Tilt Speed                                      | Smooth / <b>Fast</b>                 |                           |
|  |                | Pan Tilt Brake                                      | Smooth / <b>Fast</b>                 |                           |
|  |                | Pan Tilt Feedback                                   | Off / <b>On</b>                      |                           |
|  | Fan Modes      | <b>Auto</b>   |                                      |                           |
|  |                | High  |                                      |                           |
|  |                | Low   |                                      |                           |
|  |                | Studio  |                                      |                           |
|  |                | Mute  |                                      |                           |
|  | Theater Mode   | <b>Fastest Speeds</b>                               |                                      |                           |
|  |                | Quiet Speeds  |                                      |                           |
|  | Color          | CRI   |                                      | <b>DMX</b> / 73 / 80 / 93 |
|  |                | Color Smoothing                                     |                                      | Enable / <b>Disable</b>   |
|  |                | CMY Speed   |                                      | Smooth / <b>Fast</b>      |
|  | Dimmer Curve   | Linear  |                                      |                           |
|  |                | Square  |                                      |                           |
|  |                | Square Inverse                                      |                                      |                           |
|  |                | <b>S-Curve</b>                                      |                                      |                           |
|  | Refresh Rate   | 900 - 25000 Hz                                      |                                      |                           |
| <b>Ultra Dimming 25000 Hz</b>              |                |   |                                      |                           |
| Display                                    | Screen Delay   |   | 10s - 5 min (Default = <b>1min</b> ) |                           |
|  | Screen Lock    |   | <b>Off</b> , 10s - 5min              |                           |
|  | Auto Rotate    |   | Off / <b>On</b>                      |                           |
| Reset Defaults                             | Yes / No       |   |                                      |                           |
| <b>Information</b>                         | Time           | Current Time  |                                      |                           |
|  |                | Total Run Time                                      |                                      |                           |
|  |                | LED Run Time  |                                      |                           |
|  |                | Last Run Time                                       |                                      |                           |
|  | Temperature    | Head  |                                      |                           |
|  |                | Base  |                                      |                           |
|  |                | Lamp  |                                      |                           |
|  | Fan            | Fan xx  |                                      |                           |
|  |                | ...   |                                      |                           |
|  | DMX Values     | Pan   |                                      |                           |
|  |                | Tilt  |                                      |                           |
|  |                | ...   |                                      |                           |
| Product IDs                                | RDM UID        |   |                                      |                           |
| Error Logs                                 | Fixture Errors |   |                                      |                           |
| Software Version                           | Vx.x           |   |                                      |                           |
| <b>Service</b><br>(Passcode = <b>050</b> ) | Calibration    | Pan   |                                      |                           |
|  |                | Tilt  |                                      |                           |
|  |                | ...   |                                      |                           |
|  | Reset Last Run | Yes / No  |                                      |                           |
| Reset Error Logs                           | Yes / No       |   |                                      |                           |

# SYSTEM MENU

## DISPLAY SHORTCUTS

| FUNCTION              | CONTROL INPUT   |
|-----------------------|---|
| Activate battery mode | With unit powered off, press and hold ENTER for 3 s.  |
| Unlock display        | With unit powered on, press and UP, DOWN, UP, DOWN, ENTER.  |
| Disable pan/tilt      | With unit powered on, press and hold both the UP and DOWN buttons for 3s.   |
| Reset to default      | With unit powered on, press and hold both the BACK and ENTER buttons for 10s while displays countdown. Then select YES to reset, or NO to return to main menu without making changes. |

# DIMMER CONTROL

## Refresh Rate

This feature can be accessed in the system menu by navigating to Settings > Refresh Rate.

Paragon S utilizes an advanced dual CRI LED engine and electronic driver system, which combine to allow incredibly precise low-level control at a very high refresh rate. This unique feature is called “Ultra Dimming” and operates at 25000Hz.

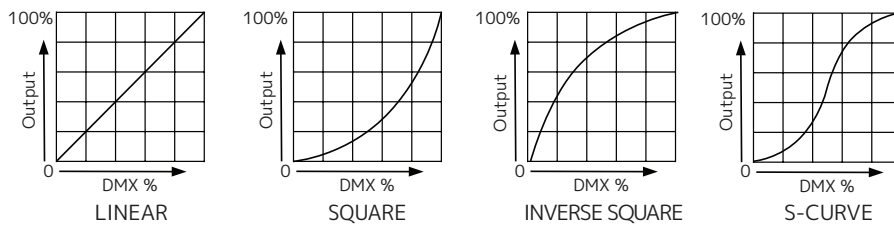
The fixture’s Ultra Dimming allows seamless intensity transitions even at the lowest dimming levels and slowest crossfades, while maintaining optimum refresh rates to avoid camera scrolling, issues with cell phone image capture, and other unwanted interference.

Other refresh rates from 900Hz up to 25000Hz are accessible from the Menu or DMX Control channel, but it is recommended to utilize the default Ultra Dimming and only make adjustments if any interference (usually with high-speed cameras) is observed.

## Dimmer Curves

This feature can be accessed in the system menu by navigating to Settings Menu > Dimmer Curve.

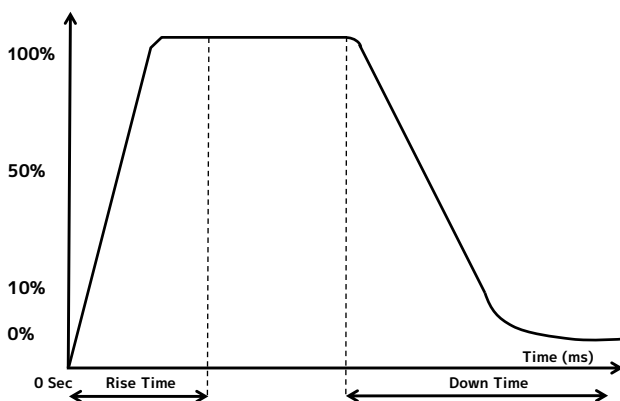
Four available dimmer curve profiles can be used to adapt the fixture’s dimming behavior to different environments. The default S-Curve offers the smoothest low-level dimming and optimum transitions at long fade times. Other curves are Linear, Square, and Inverse Square. Dimmer curves can be selected from either the system menu or the DMX control channel.



## Dimmer Modes

This feature can be accessed via DMX control.

The Dim Modes and Dimmer Delay Times temporarily force the dimming to conform to a specific period of time (for example, when using an architectural control system that may not allow fine dimming control). These features can also be used to create automated ramping on dimmer up and down fades, in order to emulate traditional dimming systems and incandescent lamps.



| Dimming Curve<br>Ramp Effect | 0 sec Fade Time |                | 1 sec Fade Time |                |
|------------------------------|-----------------|----------------|-----------------|----------------|
|                              | Rise Time (ms)  | Down Time (ms) | Rise Time (ms)  | Down Time (ms) |
| Standard (default)           | 0               | 0              | 0               | 0              |
| Stage                        | 780             | 1100           | 1540            | 1660           |
| TV                           | 1180            | 1520           | 1860            | 1940           |
| Architectural                | 1380            | 1730           | 2040            | 2120           |
| Theatre                      | 1580            | 1940           | 2230            | 2280           |
| Stage 2                      | 0               | 1100           | 0               | 1660           |

# FAN CONTROL

The Elation Paragon S is a high-performance fixture that is suitable for various applications. For noise critical environments such as Theater, Opera, or Orchestral Halls, it offers several fan operation modes which can be used to remove unwanted noise distractions for the audience and performers. Fan Modes can be changed remotely via the DMX control channel, allowing the fixture to offer high output or quiet operation at a moment's notice. All Fan Modes smoothly transition into operation over a brief period in order to prevent drawing unwanted attention to the fixture. Additionally, Theater Mode slows down certain mechanical functions to reduce noises and resonances that may occur due to the high speed and torque of the fixture's motors. Fan modes can be set by using the system menu to navigate to Settings > Fan Modes.

**Auto** – The default AUTO mode ensures optimal performance of the fixture. Fans run at just the right speeds to keep the LED engine within its optimal temperature range, and will turn off when conditions allow for it, such as when the fixture is dimmed to a low intensity. The fans constantly monitor both the ambient and fixture temperature, and will always try to keep noise levels to a minimum. The fixture output will only be reduced in the events that the LED engine cannot be cooled down to its safe operating range due to very high ambient temperature.

**Note: Auto is the recommended mode for daily operation of the Elation Paragon S.**

**High** – This mode is designed primarily for operation in very high ambient temperatures when automatic fan speed adjustments are not desired. High Fan Speed will cool the fixture most efficiently, but this mode will increase wear on the fans and should only be utilized in exceptional circumstances. Fans will always run, even if the fixture is dimmed. Fixture output is kept at 100% unless the LED engine temperature is too high, at which point the fixture will reduce power carefully to ensure safe operation.

**Low** – In this mode, the fixture reduces fan speeds across the board to achieve a lower noise profile. This mode should be sufficient for most uses where lower fixture noise is required. The fixture output is reduced to about 80%.

## **Additional Low Noise Modes**

For very critical situations, the Paragon S offers two additional low noise modes for quiet operation. The fixture output will be reduced, but as the Paragon S has such an extremely high luminous flux, it still offers outstanding performance. **Please note that selecting the following modes will automatically trigger Theater Mode and any associated parameters.**

**Studio** – This mode reduces the fixture output to approximately 50%. Almost all fans inside the Paragon S are turned off, and only run when necessary to keep the fixture at 50% LED power.

**Mute** – Running the fixture in MUTE mode reduces the fixture to about 25% output, and most fans are off.

# THEATER MODE

The following features can be accessed in the system menu by navigating to Settings > Theater Mode.

The mode is used to further reduce the overall noise output of the Paragon S. As a high performance fixture, the Paragon S contains powerful motors that may emit some noise when running at high speed. Reducing the speeds of select motors allows the fixture to operate more quietly while still delivering excellent performance. This mode can be remotely selected from the control channel if needed, allowing the fixture to be adjusted to meet the performance demands of specific situations as the need arises.

## **Fastest Speeds**

All features operate at the highest performance and accuracy levels available.

## **Quietest Speeds**

Some features of the Paragon S have their performance limited in the interest of reducing the noise level, allowing the fixture to be used in more noise sensitive environments.

# MOVEMENT AND COLOR SETTINGS

The fixture offers a variety of settings to influence its movement parameters and optimize its color performance and movement parameters.

## Color Smoothing

This feature can be accessed in the system menu by navigating to Settings > Color > Color Smoothing. The Paragon S has an optional color smoothing filter integrated into the color wheel. It can be added manually or automatically as soon as any gobo is selected, and can be enabled from the menu or DMX control channel.

The color smoothing filter is designed to reduce any color anomalies along framing edges, especially when used in combination with a gobo. It also adds some minor color correction to enhance the gobo's appearance. Please note that the filter reduces the output slightly.

For most theatrical applications it is recommended to enable the filter by default.

## CRI

This feature can be accessed in the system menu by navigating to Settings > Color > CRI. The TruTone engine of the Paragon S allows variable CRI control of the fixture output using the CRI DMX channel. This can be disabled and set to a fixed CRI value (73/80/93). CRI 80 provides the highest intensity output for the Paragon.

## CMY Speed

This feature can be accessed in the system menu by navigating to Settings > Color > CMY Speed. The CMY mixing array offers two operating speeds to choose from. The first is optimized for fastest changes, but can show some jitter on very slow crossfades. The second setting is configured for the slowest fade and may be more appropriate for theatrical applications.

## Pan Tilt Speed

This feature can be accessed in the system menu by navigating to Settings > Movement > Pan Tilt Speed. It controls the overall reaction of the fixture to changes in Pan and Tilt positions. Faster settings can lead to some jitter, while slower settings exhibit smoother movements at the cost of slight delays to changes of direction.

## Pan Tilt Brake

This feature can be accessed in the system menu by navigating to Settings > Movement > Pan Tilt Brake. This determines how aggressively the fixture stops when DMX values no longer change. The fast setting can cause some bounce / jitter when the fixture stops, while smooth will create a softer landing to the stopped position but will add some delay.

## Pan Tilt Feedback

This feature can be accessed in the system menu by navigating to Settings > Movement > Pan Tilt Feedback. When enabled, it will cause the fixture to bounce back into place if it has been manually moved out of position. This can be disabled, which is sometimes done for safety reasons to prevent the fixture from swinging back unexpectedly and striking nearby personnel.

# DMX TRAITS

| Features subject to change without notice |     |                |                |         |   |      |               |
|---|-----|----------------|----------------|---------|---|------|---------------|
| MODE/CHANNEL                              |     |                |                |         | FUNCTION  | SNAP | DEFAULT VALUE |
| STD                                       | EXT | STD FIXED GOBO | EXT FIXED GOBO | VALUES  |   |      |               |
| 1   | 1   | 1              | 1              | 0-255   | <b>Pan</b><br>Left → Right  |      | 127           |
| 2   | 2   | 2              | 2              | 0-255   | <b>Pan Fine</b><br>Fine position  |      | 127           |
| 3   | 3   | 3              | 3              | 0-255   | <b>Tilt</b><br>Forward → Backward   |      | 127           |
| 4   | 4   | 4              | 4              | 0-255   | <b>Tilt Fine</b><br>Fine position   |      | 127           |
| 5   | 5   | 5              | 5              | 0-255   | <b>Cyan</b><br>0 → 100  |      | 0             |
|   | 6   |                | 6              | 0-255   | <b>Cyan Fine</b><br>Fine saturation   |      | 0             |
| 6   | 7   | 6              | 7              | 0-255   | <b>Magenta</b><br>0 → 100   |      | 0             |
|   | 8   |                | 8              | 0-255   | <b>Magenta Fine</b><br>Fine saturation  |      | 0             |
| 7   | 9   | 7              | 9              | 0-255   | <b>Yellow</b><br>0 → 100  |      | 0             |
|   | 10  |                | 10             | 0-255   | <b>Yellow Fine</b><br>Fine saturation   |      | 0             |
| 8   | 11  | 8              | 11             | 0-255   | <b>CTO</b><br>Cold → Warm   |      | 0             |
|   | 12  |                | 12             | 0-255   | <b>CTO Fine</b><br>Fine saturation  |      | 0             |
| 9   | 13  | 9              | 13             | 0-126   | <b>CRI</b><br>CRI 73 - 80   |      | 127           |
|   |     |                |                | 127     | CRI 80 (Highest Output)   |      |               |
|   |     |                |                | 128-255 | CRI 80 - 93   |      |               |
| 10  | 14  | 10             | 14             |         | <b>Color</b><br>0-15 Open<br>16-31 Red<br>32-47 Blue<br>48-63 Purple<br>64-79 Green<br>80-95 UV<br>96-111 Quad Color<br>112-127 Color Smoothing | X    | 0             |
|   | 15  |                | 15             |         | <b>Scroll</b><br>128-189 Clockwise, fast → slow<br>190-193 Stop<br>194-255 Counter-clockwise, slow → fast                                       |      |               |
|   |     |                |                | 0-255   | <b>Color Fine</b><br>Position   | X    | 0             |

# DMX TRAITS

| Features subject to change without notice |                                       |                |                |         |  |      |               |
|---|---------------------------------------|----------------|----------------|---------|--|------|---------------|
| MODE/CHANNEL                              |                                       |                |                |         | FUNCTION                                 | SNAP | DEFAULT VALUE |
| STD                                       | EXT                                   | STD FIXED GOBO | EXT FIXED GOBO | VALUES  |  |      |               |
| 11  | 16                                    | 11             | 16             |         | <b>Rotating Gobo</b>                     | X    | 0             |
|   |                                       |                |                | 0-9     | Open                                     |      |               |
|   |                                       |                |                | 10-19   | Gobo 1                                   |      |               |
|   |                                       |                |                | 20-29   | Gobo 2                                   |      |               |
|   |                                       |                |                | 30-39   | Gobo 3                                   |      |               |
|   |                                       |                |                | 40-49   | Gobo 4                                   |      |               |
|   |                                       |                |                | 50-59   | Gobo 5                                   |      |               |
|   |                                       |                |                | 60-69   | Gobo 6                                   |      |               |
|   |                                       |                |                | 70-77   | Gobo 7                                   |      |               |
|   |                                       |                |                | 78-93   | Gobo 1 shake, slow to fast               |      |               |
|   |                                       |                |                | 94-109  | Gobo 2 shake, slow to fast               |      |               |
|   |                                       |                |                | 110-125 | Gobo 3 shake, slow to fast               |      |               |
|   |                                       |                |                | 126-141 | Gobo 4 shake, slow to fast               |      |               |
|   |                                       |                |                | 142-157 | Gobo 5 shake, slow to fast               |      |               |
|   |                                       |                |                | 158-173 | Gobo 6 shake, slow to fast               |      |               |
|   |                                       |                |                | 174-189 | Gobo 7 shake, slow to fast               |      |               |
|   |                                       |                |                |         | <b>Scroll</b>                            |      |               |
|   |                                       |                |                | 190-221 | Clockwise scroll, fast → slow            |      |               |
| 222-223                                   | Stop                                  |                |                |         |  |      |               |
| 224-255                                   | Counter-clockwise scroll, slow → fast |                |                |         |  |      |               |
| 12  | 17                                    | 12             | 17             |         | <b>Rotating Gobo Index/Rotation</b>      |      | 0             |
|   |                                       |                |                | 0-127   | Index Position                           |      |               |
|   |                                       |                |                |         | <b>Rotate</b>                            |      |               |
|   |                                       |                |                | 129-189 | Clockwise, fast → slow                   |      |               |
|   |                                       |                |                | 190-193 | Stop                                     |      |               |
| 194-255                                   | Counter-clockwise, slow → fast        |                |                |         |  |      |               |
| 13  | 18                                    | 13             | 18             |         | <b>Rotating Gobo Index/Rotation Fine</b> |      | 0             |
|   |                                       |                |                | 0-255   | Index position                           |      |               |
| 14  | 19                                    | 14             | 19             |         | <b>Fixed Gobo</b>                        | X    | 0             |
|   |                                       |                |                | 0-9     | Open                                     |      |               |
|   |                                       |                |                | 10-19   | Gobo 1                                   |      |               |
|   |                                       |                |                | 20-29   | Gobo 2                                   |      |               |
|   |                                       |                |                | 30-39   | Gobo 3                                   |      |               |
|   |                                       |                |                | 40-49   | Gobo 4                                   |      |               |
|   |                                       |                |                | 50-59   | Gobo 5                                   |      |               |
|   |                                       |                |                | 60-69   | Gobo 6                                   |      |               |
|   |                                       |                |                | 70-79   | Gobo 7                                   |      |               |
|   |                                       |                |                | 80-89   | Gobo 8                                   |      |               |
|   |                                       |                |                | 90-99   | Gobo 9                                   |      |               |
|   |                                       |                |                | 100-109 | Gobo 1 Shake, slow to fast               |      |               |
|   |                                       |                |                | 110-119 | Gobo 2 Shake, slow to fast               |      |               |
|   |                                       |                |                | 120-129 | Gobo 3 Shake, slow to fast               |      |               |
|   |                                       |                |                | 130-139 | Gobo 4 Shake, slow to fast               |      |               |
|   |                                       |                |                | 140-149 | Gobo 5 Shake, slow to fast               |      |               |
|   |                                       |                |                | 150-159 | Gobo 6 Shake, slow to fast               |      |               |
|   |                                       |                |                | 160-169 | Gobo 7 Shake, slow to fast               |      |               |
| 170-179                                   | Gobo 8 Shake, slow to fast            |                |                |         |  |      |               |
| 180-189                                   | Gobo 9 Shake, slow to fast            |                |                |         |  |      |               |

# DMX TRAITS

| Features subject to change without notice |     |                |                |         |   |      |               |
|---|-----|----------------|----------------|---------|---|------|---------------|
| MODE/CHANNEL                              |     |                |                |         | FUNCTION                                    | SNAP | DEFAULT VALUE |
| STD                                       | EXT | STD FIXED GOBO | EXT FIXED GOBO | VALUES  |   |      |               |
| 14  | 19  | 14             | 19             |         | <b>Scroll</b>                               | X    | 0             |
|   |     |                |                | 190-221 | Clockwise, fast → slow                      |      |               |
|   |     |                |                | 222-223 | Stop  |      |               |
|   |     |                |                | 224-255 | Counter-clockwise, slow → fast              |      |               |
|   | 20  |                | 20             |         | <b>Fixed Gobo Fine</b>                      |      | 0             |
|   |     |                |                | 0-255   | Position                                    |      |               |
| 15  | 21  | 15             | 21             |         | <b>Rotating Prism 1</b>                     | X    | 0             |
|   |     |                |                | 0-63    | Open  |      |               |
|   |     |                |                | 64-255  | 4-facet                                     |      |               |
| 16  | 22  | 16             | 22             |         | <b>Rotating Prism 1 Index/Rotation</b>      |      | 0             |
|   |     |                |                | 0-127   | Index position                              |      |               |
|   |     |                |                |         | <b>Rotate</b>                               |      |               |
|   |     |                |                | 128-189 | Clockwise, fast → slow                      |      |               |
|   |     |                |                | 190-193 | Stop  |      |               |
|   |     |                |                | 194-255 | Counter-clockwise, slow → fast              |      |               |
|   | 23  |                | 23             |         | <b>Rotating Prism 1 Index/Rotation Fine</b> |      | 0             |
|   |     |                |                | 0-255   | Index position                              |      |               |
| 17  | 24  | 17             | 24             |         | <b>Rotating Prism 2</b>                     | X    | 0             |
|   |     |                |                | 0-63    | Open  |      |               |
|   |     |                |                | 64-255  | 4-facet linear                              |      |               |
| 18  | 25  | 18             | 25             |         | <b>Rotating Prism 2 Index/Rotation</b>      |      | 0             |
|   |     |                |                | 0-127   | Index position                              |      |               |
|   |     |                |                |         | <b>Rotate</b>                               |      |               |
|   |     |                |                | 128-189 | Clockwise, fast → slow                      |      |               |
|   |     |                |                | 190-193 | Stop  |      |               |
|   |     |                |                | 194-255 | Counter-clockwise, slow → fast              |      |               |
|   | 26  |                | 26             |         | <b>Rotating Prism 2 Index/Rotation Fine</b> |      | 0             |
|   |     |                |                | 0-255   | Index position                              |      |               |
| 19  | 27  | 19             | 27             |         | <b>Focus</b>                                |      | 127           |
|   |     |                |                | 0-255   | Infinity → Near                             |      |               |
| 20  | 28  | 20             | 28             |         | <b>Focus Fine</b>                           |      | 127           |
|   |     |                |                | 0-255   | Fine adjustment                             |      |               |
| 21  | 29  | 21             | 29             |         | <b>Zoom</b>                                 |      | 127           |
|   |     |                |                | 0-255   | Narrow → Wide                               |      |               |
| 22  | 30  | 22             | 30             |         | <b>Zoom Fine</b>                            |      | 127           |
|   |     |                |                | 0-255   | Fine adjustment                             |      |               |

# DMX TRAITS

Features subject to change without notice

| MODE/CHANNEL |     |                |                |         | FUNCTION               | SNAP | DEFAULT VALUE |
|--------------|-----|----------------|----------------|---------|------------------------|------|---------------|
| STD          | EXT | STD FIXED GOBO | EXT FIXED GOBO | VALUES  |                        |      |               |
|              |     |                |                |         | <b>Auto Focus</b>      |      |               |
|              |     |                |                | 0-4     | Auto Focus Off         |      |               |
|              |     |                |                | 5-9     | 5.0m                   |      |               |
|              |     |                |                | 10-14   | 5.2m                   |      |               |
|              |     |                |                | 15-19   | 5.4m                   |      |               |
|              |     |                |                | 20-24   | 5.6m                   |      |               |
|              |     |                |                | 25-29   | 5.8m                   |      |               |
|              |     |                |                | 30-34   | 6.0m                   |      |               |
|              |     |                |                | 35-39   | 6.3m                   |      |               |
|              |     |                |                | 40-44   | 6.5m                   |      |               |
|              |     |                |                | 45-49   | 6.8m                   |      |               |
|              |     |                |                | 50-54   | 7.0m                   |      |               |
|              |     |                |                | 55-59   | 7.3m                   |      |               |
|              |     |                |                | 60-64   | 7.5m                   |      |               |
|              |     |                |                | 65-69   | 7.7m                   |      |               |
|              |     |                |                | 70-74   | 8.0m                   |      |               |
|              |     |                |                | 75-79   | 8.3m                   |      |               |
|              |     |                |                | 80-84   | 8.5m                   |      |               |
|              |     |                |                | 85-89   | 8.7m                   |      |               |
|              |     |                |                | 90-94   | 9.0m                   |      |               |
|              |     |                |                | 95-99   | 9.3m                   |      |               |
|              |     |                |                | 100-104 | 9.5m                   |      |               |
|              | 31  |                | 31             | 105-109 | 9.8m                   |      | 0             |
|              |     |                |                | 110-114 | 10.0m                  |      |               |
|              |     |                |                | 115-119 | 10.5m                  |      |               |
|              |     |                |                | 120-124 | 11.0m                  |      |               |
|              |     |                |                | 125-129 | 11.5m                  |      |               |
|              |     |                |                | 130-134 | 12.0m                  |      |               |
|              |     |                |                | 135-139 | 12.5m                  |      |               |
|              |     |                |                | 140-144 | 13.0m                  |      |               |
|              |     |                |                | 145-149 | 13.5m                  |      |               |
|              |     |                |                | 150-154 | 14.0m                  |      |               |
|              |     |                |                | 155-159 | 14.5m                  |      |               |
|              |     |                |                | 160-164 | 15.0m                  |      |               |
|              |     |                |                | 165-169 | 15.5m                  |      |               |
|              |     |                |                | 170-174 | 16.0m                  |      |               |
|              |     |                |                | 175-179 | 16.5m                  |      |               |
|              |     |                |                | 180-184 | 17.0m                  |      |               |
|              |     |                |                | 185-189 | 17.5m                  |      |               |
|              |     |                |                | 190-194 | 18.0m                  |      |               |
|              |     |                |                | 195-199 | 18.5m                  |      |               |
|              |     |                |                | 200-204 | 19.0m                  |      |               |
|              |     |                |                | 205-209 | 19.5m                  |      |               |
|              |     |                |                | 210-214 | 20.0m                  |      |               |
|              |     |                |                | 215-255 | Idle                   |      |               |
|              | 32  |                | 32             |         | <b>Auto Focus Fine</b> |      | 0             |
|              |     |                |                | 0-255   | Fine adjustment        |      |               |

# DMX TRAITS

| Features subject to change without notice |         |                            |                |         |                            |      |               |
|---|---------|----------------------------|----------------|---------|----------------------------|------|---------------|
| MODE/CHANNEL                              |         |                            |                |         | FUNCTION                   | SNAP | DEFAULT VALUE |
| STD                                       | EXT     | STD FIXED GOBO             | EXT FIXED GOBO | VALUES  |                            |      |               |
| 23  | 33      | 23                         | 33             |         | <b>Shutter / Strobe</b>    | X    | 50            |
|   |         |                            |                | 0-31    | Closed                     |      |               |
|   |         |                            |                | 32-63   | Open                       |      |               |
|   |         |                            |                | 64-95   | Strobe, slow → fast        |      |               |
|   |         |                            |                | 96-127  | Open                       |      |               |
|   |         |                            |                | 128-159 | Pulse effect, slow → fast  |      |               |
|   |         |                            |                | 160-191 | Open                       |      |               |
|   |         |                            |                | 192-223 | Random Strobe, slow → fast |      |               |
|   | 224-255 | Open                       |                |         |                            |      |               |
| 24  | 34      | 24                         | 34             |         | <b>Dimmer</b>              |      | 0             |
|   |         |                            |                | 0-255   | Intensity 0 → 100%         |      |               |
| 25  | 35      | 25                         | 35             |         | <b>Dimmer Fine</b>         |      | 0             |
|   |         |                            |                | 0-255   | Fine adjustment            |      |               |
| 26  | 36      | 26                         | 36             |         | <b>Dim Modes</b>           | X    | 0             |
|   |         |                            |                | 0-20    | Standard                   |      |               |
|   |         |                            |                | 21-40   | Stage                      |      |               |
|   |         |                            |                | 41-60   | TV                         |      |               |
|   |         |                            |                | 61-80   | Architectural              |      |               |
|   |         |                            |                | 81-100  | Theatre                    |      |               |
|   |         |                            |                | 101-120 | Stage 2                    |      |               |
|   |         |                            |                |         | <b>Dimmer Delay Time</b>   |      |               |
|   |         |                            |                | 121     | 0s                         |      |               |
|   |         |                            |                | 122     | 0.1s                       |      |               |
|   |         |                            |                | 123     | 0.2s                       |      |               |
|   |         |                            |                | 124     | 0.3s                       |      |               |
|   |         |                            |                | 125     | 0.4s                       |      |               |
|   |         |                            |                | 126     | 0.5s                       |      |               |
|   |         |                            |                | 127     | 0.6s                       |      |               |
|   |         |                            |                | 128     | 0.7s                       |      |               |
|   |         |                            |                | 129     | 0.8s                       |      |               |
|   |         |                            |                | 130     | 0.9s                       |      |               |
|   |         |                            |                | 131     | 1.0s                       |      |               |
|   |         |                            |                | 132     | 1.5s                       |      |               |
|   |         |                            |                | 133     | 2.0s                       |      |               |
|   |         |                            |                | 134     | 3.0s                       |      |               |
|   |         |                            |                | 135     | 4.0s                       |      |               |
|   |         |                            |                | 136     | 5.0s                       |      |               |
| 137                                       | 6.0s    |                            |                |         |                            |      |               |
| 138                                       | 7.0s    |                            |                |         |                            |      |               |
| 139                                       | 8.0s    |                            |                |         |                            |      |               |
| 140                                       | 9.0s    |                            |                |         |                            |      |               |
| 141                                       | 10.0s   |                            |                |         |                            |      |               |
|   | 142-255 | Idle                       |                |         |                            |      |               |
| 27  | 37      | 27                         | 37             |         | <b>Iris</b>                |      | 0             |
|   |         |                            |                | 0-191   | Open → Close               |      |               |
|   |         |                            |                | 192-223 | Pulse Closing, fast → slow |      |               |
|   | 224-255 | Pulse Opening, slow → fast |                |         |                            |      |               |
|   | 38      |                            | 38             |         | <b>Iris Fine</b>           |      | 0             |
|   |         |                            |                | 0-255   | Fine adjustment            |      |               |

# DMX TRAITS

| Features subject to change without notice |                                |                 |                |         |                            |      |               |
|---|--------------------------------|-----------------|----------------|---------|----------------------------|------|---------------|
| MODE/CHANNEL                              |                                |                 |                |         | FUNCTION                   | SNAP | DEFAULT VALUE |
| STD                                       | EXT                            | STD FIXED GOBO  | EXT FIXED GOBO | VALUES  |                            |      |               |
| 28  | 39                             | 28              | 39             |         | <b>Frost 1 (Soft)</b>      |      | 0             |
|   |                                |                 |                | 0-255   | Open → Max                 |      |               |
| 29  | 40                             | 29              | 40             |         | <b>Frost 2 (Wash)</b>      |      | 0             |
|   |                                |                 |                | 0-255   | Open → Max                 |      |               |
| 30  | 41                             |                 |                |         | <b>Animation Wheel</b>     |      | 0             |
|   |                                |                 |                | 0-7     | Open                       |      |               |
|   |                                |                 |                | 8-255   | Min → Max                  |      |               |
| 31  | 42                             |                 |                |         | <b>Animation Index</b>     |      | 64            |
|   |                                |                 |                | 0-127   | Position                   |      |               |
|   |                                |                 |                |         | <b>Scroll</b>              |      |               |
|   |                                |                 |                | 128-189 | Clockwise, fast → slow     |      |               |
|   |                                |                 |                | 190-193 | Stop                       |      |               |
| 194-255                                   | Counter-clockwise, slow → fast |                 |                |         |                            |      |               |
|   |                                | 30              | 41             |         | <b>Fixed Gobo Wheel 2</b>  |      | 0             |
|   |                                |                 |                | 0-9     | Open                       |      |               |
|   |                                |                 |                | 10-19   | Gobo 1                     |      |               |
|   |                                |                 |                | 20-29   | Gobo 2                     |      |               |
|   |                                |                 |                | 30-39   | Gobo 3                     |      |               |
|   |                                |                 |                | 40-49   | Gobo 4                     |      |               |
|   |                                |                 |                | 50-59   | Gobo 5                     |      |               |
|   |                                |                 |                | 60-69   | Gobo 6                     |      |               |
|   |                                |                 |                | 70-77   | Gobo 7                     |      |               |
|   |                                |                 |                | 78-93   | Gobo 1 Shake, slow to fast |      |               |
|   |                                |                 |                | 94-109  | Gobo 2 Shake, slow to fast |      |               |
|   |                                |                 |                | 110-125 | Gobo 3 Shake, slow to fast |      |               |
|   |                                |                 |                | 126-141 | Gobo 4 Shake, slow to fast |      |               |
|   |                                |                 |                | 142-157 | Gobo 5 Shake, slow to fast |      |               |
|   |                                |                 |                | 158-173 | Gobo 6 Shake, slow to fast |      |               |
|   |                                |                 |                | 174-189 | Gobo 7 Shake, slow to fast |      |               |
|   |                                |                 |                |         | <b>Scroll</b>              |      |               |
| 190-221                                   | Clockwise, fast → slow         |                 |                |         |                            |      |               |
| 222-223                                   | Stop                           |                 |                |         |                            |      |               |
| 224-255                                   | Counter-clockwise, slow → fast |                 |                |         |                            |      |               |
|   |                                | 31              | 42             |         | <b>Fixed Gobo 2 Fine</b>   |      | 127           |
|   |                                |                 |                | 0-255   | Fine adjustment            |      |               |
| 32  | 43                             | 32              | 43             | 0-255   | <b>Blade 1A</b>            |      | 0             |
|   |                                |                 |                |         | Open → Closed              |      |               |
|   | 44                             |                 | 44             | 0-255   | <b>Blade 1A Fine</b>       |      | 0             |
|   |                                | Fine adjustment |                |         |                            |      |               |
| 33  | 45                             | 33              | 45             | 0-255   | <b>Blade 1B</b>            |      | 0             |
|   |                                |                 |                |         | Open → Closed              |      |               |
|   | 46                             |                 | 46             | 0-255   | <b>Blade 1B Fine</b>       |      | 0             |
|   |                                | Fine adjustment |                |         |                            |      |               |
| 34  | 47                             | 34              | 47             | 0-255   | <b>Blade 2A</b>            |      | 0             |
|   |                                |                 |                |         | Open → Closed              |      |               |
|   | 48                             |                 | 48             | 0-255   | <b>Blade 2A Fine</b>       |      | 0             |
|   |                                | Fine adjustment |                |         |                            |      |               |

# DMX TRAITS

| Features subject to change without notice |         |                |                |          |   |      |               |
|---|---------|----------------|----------------|----------|---|------|---------------|
| MODE/CHANNEL                              |         |                |                |          | FUNCTION  | SNAP | DEFAULT VALUE |
| STD                                       | EXT     | STD FIXED GOBO | EXT FIXED GOBO | VALUES   |   |      |               |
| 35  | 49      | 35             | 49             | 0-255    | <b>Blade 2B</b><br>Open → Closed                      |      | 0             |
|   | 50      |                | 50             | 0-255    | <b>Blade 2B Fine</b><br>Fine adjustment               |      | 0             |
| 36  | 51      | 36             | 51             | 0-255    | <b>Blade 3A</b><br>Open → Closed                      |      | 0             |
|   | 52      |                | 52             | 0-255    | <b>Blade 3A Fine</b><br>Fine adjustment               |      | 0             |
| 37  | 53      | 37             | 53             | 0-255    | <b>Blade 3B</b><br>Open → Closed                      |      | 0             |
|   | 54      |                | 54             | 0-255    | <b>Blade 3B Fine</b><br>Fine adjustment               |      | 0             |
| 38  | 55      | 38             | 55             | 0-255    | <b>Blade 4A</b><br>Open → Closed                      |      | 0             |
|   | 56      |                | 56             | 0-255    | <b>Blade 4A Fine</b><br>Fine adjustment               |      | 0             |
| 39  | 57      | 39             | 57             | 0-255    | <b>Blade 4B</b><br>Open → Closed                      |      | 0             |
|   | 58      |                | 58             | 0-255    | <b>Blade 4B Fine</b><br>Fine adjustment               |      | 0             |
| 40  | 59      | 40             | 59             |          | <b>Framing Rotation</b>                               |      | 127           |
|   |         |                |                | 0-126    | Min (-120°)   |      |               |
|   |         |                |                | 127-128  | Parallel (0°)   |      |               |
|   |         |                |                | 129-255  | Max (+120°)   |      |               |
|   | 60      |                | 60             |          | <b>Framing Rotation Fine</b><br>0-255 Fine adjustment |      | 0             |
|   | 61      |                | 61             |          | <b>Framing Macro Speed</b><br>0-255 Max → Min Speed   |      | 0             |
|   | 62      |                | 62             |          | <b>Framing Macro</b>                                  | X    | 0             |
|   |         | 0-7            |                | Off      |   |      |               |
|   |         | 8-15           |                | Macro 1  |   |      |               |
|   |         | 16-23          |                | Macro 2  |   |      |               |
|   |         | 24-31          |                | Macro 3  |   |      |               |
|   |         | 32-39          |                | Macro 4  |   |      |               |
|   |         | 40-47          |                | Macro 5  |   |      |               |
|   |         | 48-55          |                | Macro 6  |   |      |               |
|   |         | 56-63          |                | Macro 7  |   |      |               |
|   |         | 64-71          |                | Macro 8  |   |      |               |
|   |         | 72-79          |                | Macro 9  |   |      |               |
|   |         | 80-87          |                | Macro 10 |   |      |               |
|   |         | 88-95          |                | Macro 11 |   |      |               |
|   |         | 96-103         |                | Macro 12 |   |      |               |
|   |         | 104-111        |                | Macro 13 |   |      |               |
|   |         | 112-119        |                | Macro 14 |   |      |               |
|   |         | 120-127        |                | Macro 15 |   |      |               |
|   |         | 128-135        |                | Macro 16 |   |      |               |
|   |         | 136-143        |                | Macro 17 |   |      |               |
|   | 144-151 | Macro 18       |                |          |   |      |               |
|   | 152-159 | Macro 19       |                |          |   |      |               |

# DMX TRAITS

| Features subject to change without notice |     |                |                |         |   |      |               |
|---|-----|----------------|----------------|---------|---|------|---------------|
| MODE/CHANNEL                              |     |                |                |         | FUNCTION  | SNAP | DEFAULT VALUE |
| STD                                       | EXT | STD FIXED GOBO | EXT FIXED GOBO | VALUES  |   |      |               |
|   |     |                |                |         | <b>Framing Macro (continued)</b>                      |      |               |
|   |     |                |                | 160-167 | Macro 20  |      |               |
|   |     |                |                | 168-175 | Macro 21  |      |               |
|   |     |                |                | 176-183 | Macro 22  |      |               |
|   |     |                |                | 184-191 | Macro 23  |      |               |
|   |     |                |                | 192-199 | Macro 24  |      |               |
|   | 62  |                | 62             | 200-207 | Macro 25  | X    | 0             |
|   |     |                |                | 208-215 | Macro 26  |      |               |
|   |     |                |                | 216-223 | Macro 27  |      |               |
|   |     |                |                | 224-231 | Macro 28  |      |               |
|   |     |                |                | 232-239 | Macro 29  |      |               |
|   |     |                |                | 240-247 | Macro 30  |      |               |
|   |     |                |                | 248-255 | Macro 31  |      |               |
|   |     |                |                |         | <b>Pan/Tilt Speed</b>                                 |      |               |
|   |     |                |                | 0-225   | Max → Min Speed                                       |      |               |
|   | 63  |                | 63             | 226-235 | Blackout by movement                                  | X    | 0             |
|   |     |                |                | 236-245 | Blackout by wheel changes                             |      |               |
|   |     |                |                | 246-255 | No Function   |      |               |
|   |     |                |                |         | <b>Control</b>  |      |               |
|   |     |                |                | 0-19    | Wheel Snap  |      |               |
|   |     |                |                | 20-29   | Color Wheel Fade                                      |      |               |
|   |     |                |                | 30-39   | Color/Gobo Wheel Fade                                 |      |               |
|   |     |                |                |         | <b>Fan Mode</b>                                       |      |               |
|   |     |                |                | 40-44   | Mute (activates Theater Mode/Quiet Speeds)            |      |               |
|   |     |                |                | 45-49   | Studio (activates Theater Mode/Quiet Speeds)          |      |               |
|   |     |                |                | 50-59   | Low   |      |               |
|   |     |                |                | 60-69   | High  |      |               |
|   |     |                |                | 70-79   | Auto (default)  |      |               |
|   |     |                |                |         | <b>Reset</b>  |      |               |
|   |     |                |                | 80-84   | Fixture   |      |               |
|   |     |                |                | 85-87   | Pan Tilt  |      |               |
|   |     |                |                | 88-90   | Color   |      |               |
|   |     |                |                | 91-93   | Gobo  |      |               |
|   |     |                |                | 94-96   | Focus Zoom  |      |               |
|   |     |                |                | 97-99   | Other Features  |      |               |
|   |     |                |                |         | <b>Refresh Rate (Hz)</b>                              |      |               |
|   |     |                |                | 100-168 | Refresh Rate (900Hz - 25KHz), see Refresh Rates Table |      |               |
|   |     |                |                | 169-170 | Ultra Dimming - 25 KHz (default)                      |      |               |
|   |     |                |                |         | <b>CMY Speed</b>                                      |      |               |
|   |     |                |                | 171     | CMY Smooth  |      |               |
|   |     |                |                | 172     | CMY Fast (default)                                    |      |               |
|   |     |                |                | 173-174 | Hibernation Off                                       |      |               |
|   |     |                |                | 175-176 | Hibernation   |      |               |
|   |     |                |                | 177-178 | Sun Protection On (default)                           |      |               |
|   |     |                |                | 179-180 | Sun Protection Off                                    |      |               |
|   |     |                |                | 181-190 | Pan Tilt Smooth                                       |      |               |
|   |     |                |                | 191-200 | Pan Tilt Fast (default)                               |      |               |
| 41  | 64  | 41             | 64             |         |   | X    | 0             |

# DMX TRAITS

| Features subject to change without notice |     |                |                |         |  |      |               |
|---|-----|----------------|----------------|---------|--|------|---------------|
| MODE/CHANNEL                              |     |                |                |         | FUNCTION   | SNAP | DEFAULT VALUE |
| STD                                       | EXT | STD FIXED GOBO | EXT FIXED GOBO | VALUES  |  |      |               |
| 41  | 64  | 41             | 64             |         | <b>Dimmer Curve</b>  | X    | 0             |
|   |     |                |                | 201-210 | Linear   |      |               |
|   |     |                |                | 211-220 | Square   |      |               |
|   |     |                |                | 221-230 | Inverse Square   |      |               |
|   |     |                |                | 231-240 | S-Curve (default)  |      |               |
|   |     |                |                |         | <b>Color Smoothing</b>   |      |               |
|   |     |                |                | 241-242 | Color Smoothing Disabled (default)   |      |               |
|   |     |                |                | 243-244 | Color Smoothing Enabled  |      |               |
|   |     |                |                |         | <b>Theater Mode</b> (automatically activated when Mute or Studio fan modes are selected) |      |               |
|   |     |                |                | 245-246 | Fastest Speeds (default)   |      |               |
|   |     |                |                | 247-249 | Quiet Speeds   |      |               |
|   |     |                |                | 250-251 | Display Off  |      |               |
|   |     |                |                | 252-253 | Display On (default)   |      |               |
|   |     |                |                | 254-255 | Idle   |      |               |

# REFRESH RATES

| VALUES | FREQUENCY (HZ) | VALUES  | FREQUENCY (HZ) |
|--------|----------------|---------|----------------|
| 100    | 900            | 135     | 1250           |
| 101    | 910            | 136     | 1260           |
| 102    | 920            | 137     | 1270           |
| 103    | 930            | 138     | 1280           |
| 104    | 940            | 139     | 1290           |
| 105    | 950            | 140     | 1300           |
| 106    | 960            | 141     | 1310           |
| 107    | 970            | 142     | 1320           |
| 108    | 980            | 143     | 1330           |
| 109    | 990            | 144     | 1340           |
| 110    | 1000           | 145     | 1350           |
| 111    | 1010           | 146     | 1360           |
| 112    | 1020           | 147     | 1370           |
| 113    | 1030           | 148     | 1380           |
| 114    | 1040           | 149     | 1390           |
| 115    | 1050           | 150     | 1400           |
| 116    | 1060           | 151     | 1410           |
| 117    | 1070           | 152     | 1420           |
| 118    | 1080           | 153     | 1430           |
| 119    | 1090           | 154     | 1440           |
| 120    | 1100           | 155     | 1450           |
| 121    | 1110           | 156     | 1460           |
| 122    | 1120           | 157     | 1470           |
| 123    | 1130           | 158     | 1480           |
| 124    | 1140           | 159     | 1490           |
| 125    | 1150           | 160     | 1500           |
| 126    | 1160           | 161     | 2500           |
| 127    | 1170           | 162     | 4000           |
| 128    | 1180           | 163     | 5000           |
| 129    | 1190           | 164     | 6000           |
| 130    | 1200           | 165     | 10000          |
| 131    | 1210           | 166     | 15000          |
| 132    | 1220           | 167     | 20000          |
| 133    | 1230           | 168     | 25000          |
| 134    | 1240           | 169-170 | Ultra Dimming  |

# ERROR CODES

When powered on, the unit will automatically enter a "Reset/Test" mode, which brings all the internal motors to home position. If an internal problem is detected with one or more of the motors, an error code will flash in the display in the form of "XX Er", where XX represents an error code. For example, when the display shows "Pan Er" it means there is some type of error with the Pan motor. If there are multiple errors during the start-up process, they will all be shown in the display. For example, if the fixtures has errors with the pan, tilt, and cyan motors all at the same time, you will see the error message "Pan Er", "Tilt Er", and "Cyan Color Er" repeated 5 times.

If an error occurs during the initial start-up procedure, the fixture will self-generate a second reset signal and try to realign all the motors and correct the errors. If the error persists after a second attempt, a third attempt will be made. If after a third attempt all the errors have not been corrected, the fixture will proceed according to the guidelines below:

- **3 or More Errors:** The fixture cannot function properly with three or more different types of errors, and therefore the fixture will place itself in a stand-by mode until repairs can be made.
- **Less Than 3 Errors:** Most other functions will work properly. The fixture will attempt to operate normally until the errors can be corrected by a technician. The errors in question will remain flashing in the display as a reminder of internal errors.

| Error Codes subject to change without notice |                           |
|--|---------------------------|
| ERROR CODES                                  | DESCRIPTION               |
| Pan Er                                       | Pan motor error           |
| Tilt Er                                      | Tilt motor error          |
| Cyan Color Er                                | Cyan motor error          |
| Magenta Color Er                             | Magenta motor error       |
| Yellow Color Er                              | Yellow motor error        |
| CTO Color Er                                 | CTO motor error           |
| Gobo Wheel Er                                | Gobo wheel motor error    |
| Gobo Rot Er                                  | Gobo rotation motor error |
| Zoom Er                                      | Zoom motor error          |
| Iris Er                                      | Iris motor error          |
| Focus Er                                     | Focus motor error         |
| Frost Er                                     | Frost motor error         |

# SOFTWARE UPDATES

## E-LOADER III



**ONLY QUALIFIED TECHNICIANS SHOULD PERFORM THIS FUNCTION!  
NOTE ALL MENU SETTINGS BEFORE UPDATING SOFTWARE!  
FIXTURE SOFTWARE CAN NOT BE DOWNGRADED!  
DOWNLOAD FIXTURE SOFTWARE TO PC ONLY! (NO MAC SUPPORT)  
PLEASE CONTACT ELATION SERVICE FOR FURTHER INFORMATION.**

An Elation E-Loader III can be used to update the fixture to the latest software. Please visit the E-Loader III product page at the Elation web site and download the product manual for step by step instructions.

<https://www.elationlighting.com/e-loader-iii-software-uploader>

To order the E-Loader III uploader and the updated software for your fixture, please contact Elation support for details.

Alternately, updates can be performed over the Aria connection.

# SOFTWARE UPDATES

## ETHERNET UPDATER

Software updates for this fixture can be performed using the Elation Ethernet Updater. Contact Elation Service to obtain this updater device:

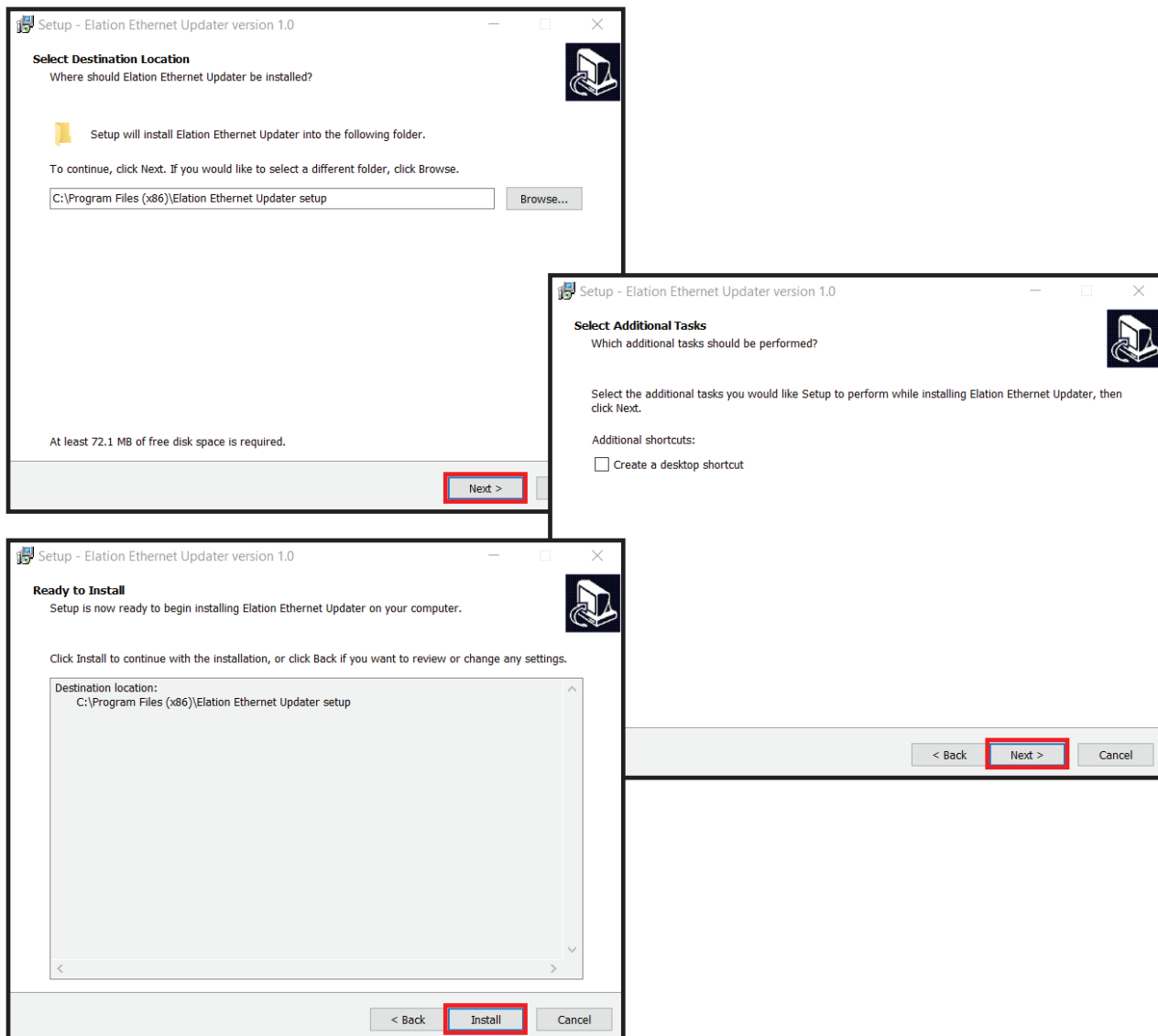
**ELATION SERVICE USA - Monday - Friday 8:00am to 4:30pm PST**  
323-582-3322 | Fax 323-832-9142 | support@elationlighting.com

**ELATION SERVICE EUROPE - Monday - Friday 08:30 to 17:00 CET**  
+31 45 546 85 63 | Fax +31 45 546 85 96 | support@elationlighting.eu

The Elation Ethernet Updater is an EXE file, which only works on a PC System. Once you've received the Elation Ethernet Updater RAR file from Elation Service via email, download and extract the EXE file. With the file extracted, click Elation Ethernet Updater setupV100.exe to launch the installation wizard.

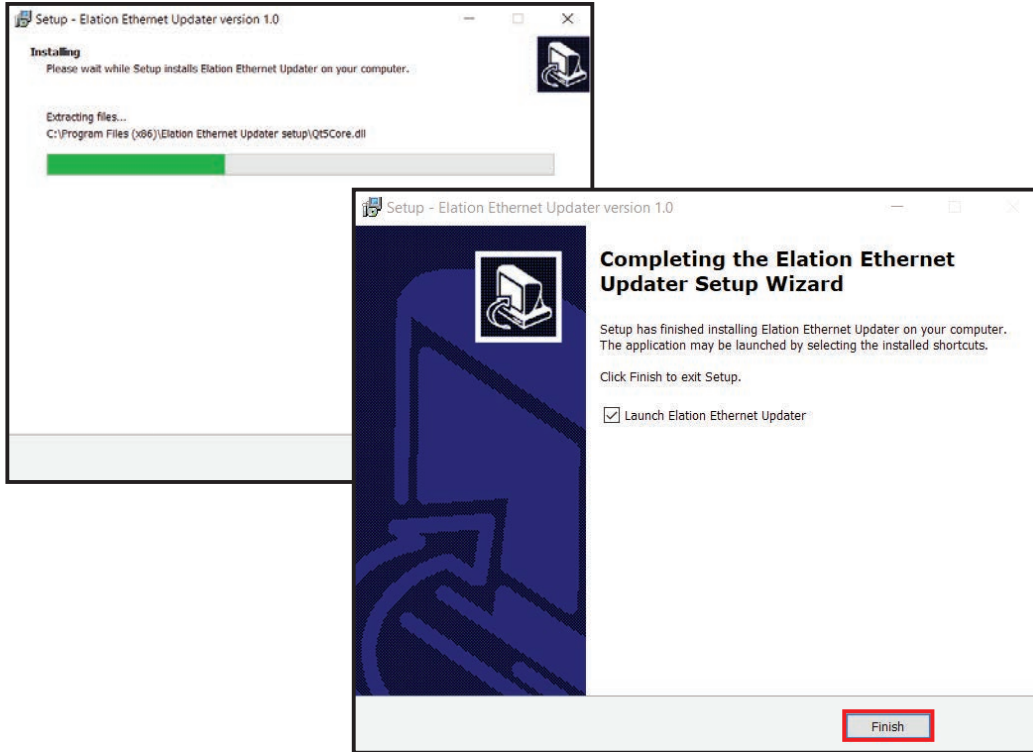


Follow the prompts once the Elation Ethernet Updater EXE has launched the Setup Wizard.

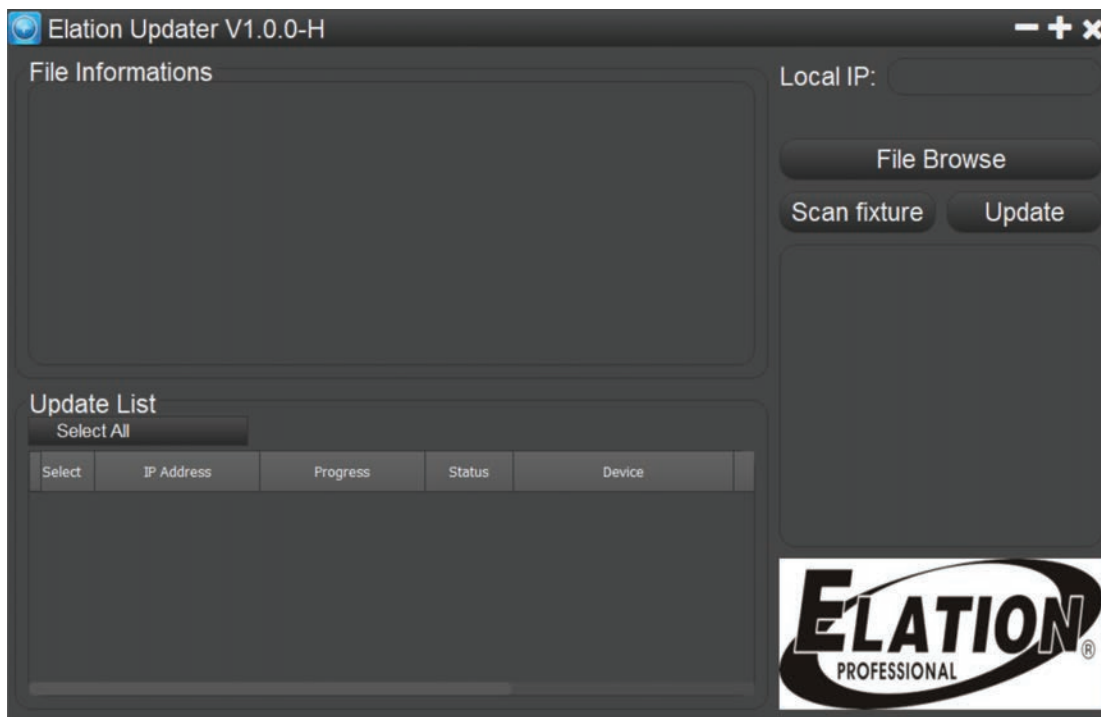


# SOFTWARE UPDATES

## ETHERNET UPDATER



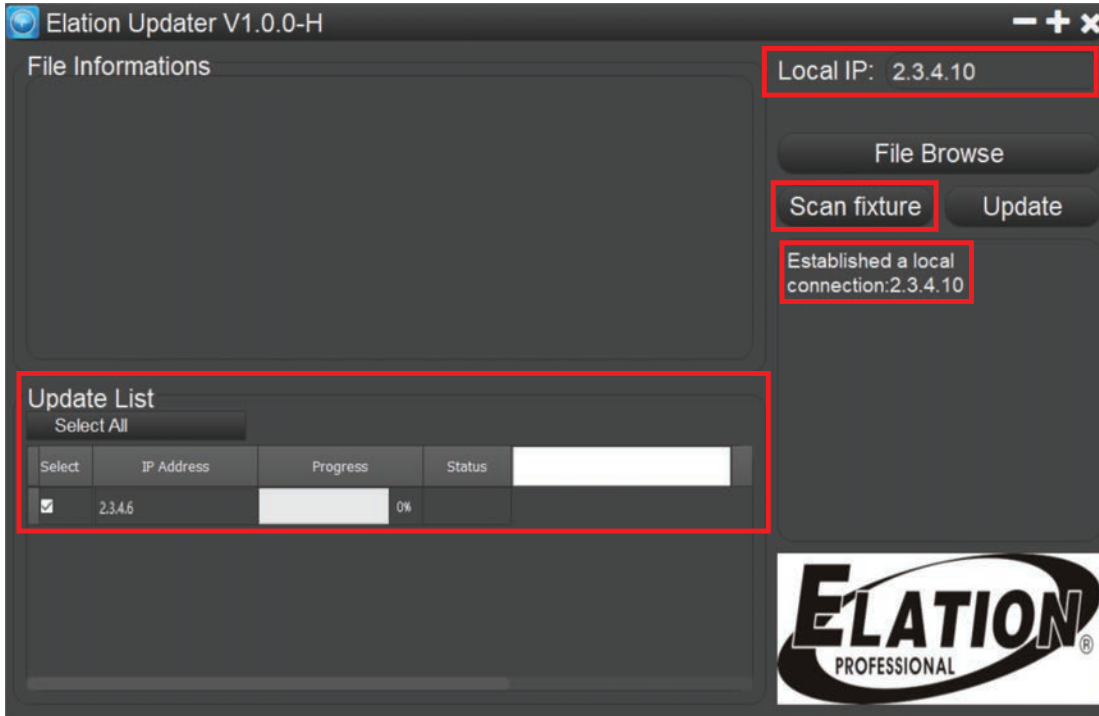
Once you have installed the Elation Ethernet Updater, it will launch automatically (unless you unchecked “Launch Elation Ethernet Updater”), or you can open it any time by clicking on the icon.



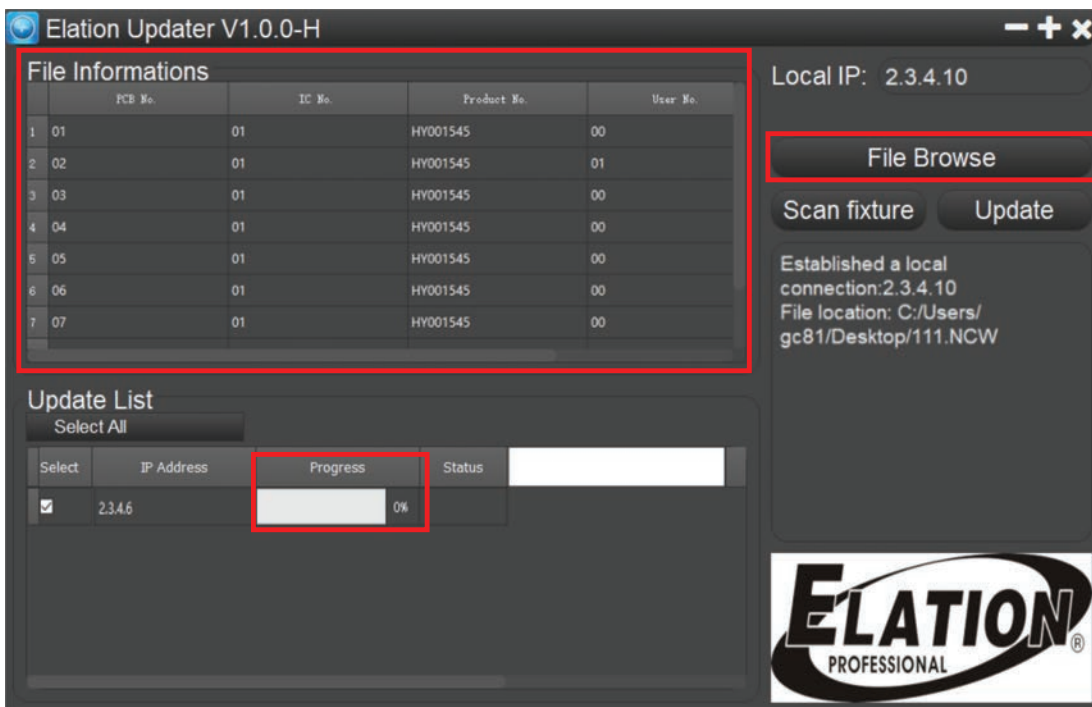
# SOFTWARE UPDATES

## ETHERNET UPDATER

Once opened, your local IP will automatically be identified. Click "Scan fixture" and create a connection. The fixture identity will appear in the Update List on the left side of browser. A connection will fail to establish if the fixture IP and Local IP are not in the same network segment.



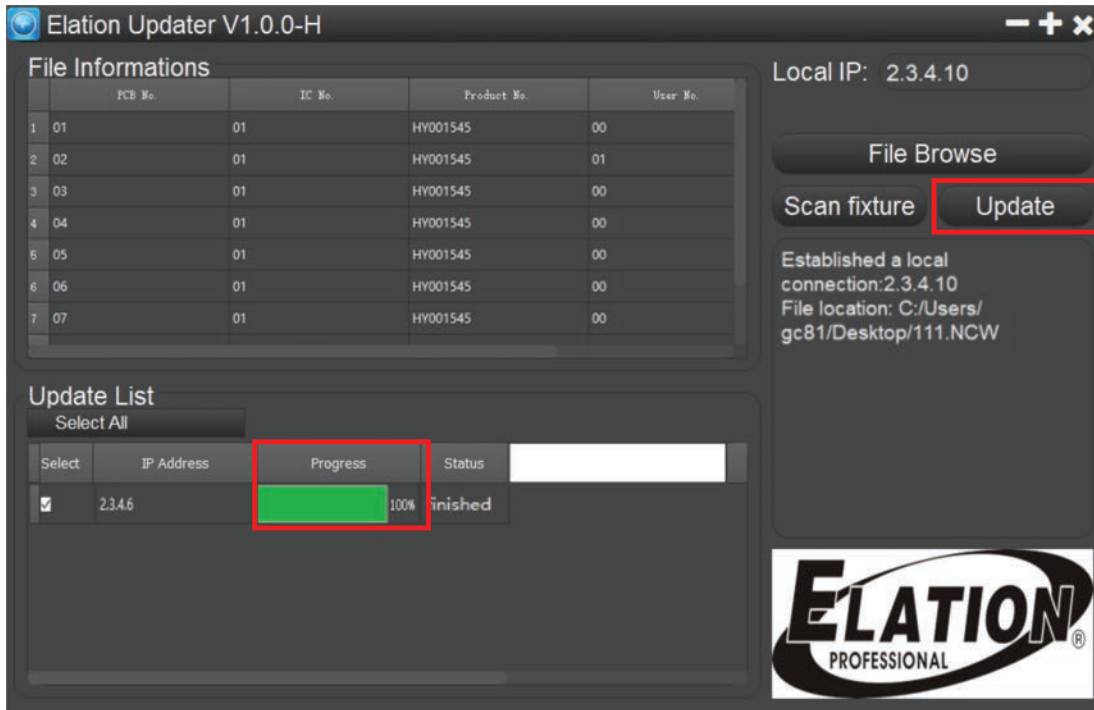
Click "File Browse" to select the files you want to download. The download Progress is displayed in the File information chart as a percentage bar graph.



# SOFTWARE UPDATES

## ETHERNET UPDATER

Click Update, then wait for the download Progress to reach 100% before closing Updater. The Elation Ethernet Updater can update up to 31 fixtures via connection to a PC.



# MAINTENANCE GUIDELINES



**DISCONNECT POWER BEFORE PERFORMING ANY MAINTENANCE!**

## CLEANING

Frequent cleaning is recommended to ensure proper function, optimized light output, and an extended life. The frequency of cleaning depends on the environment in which the fixture operates: damp, smoky or particularly dirty environments can cause greater accumulation of dirt on the fixture's optics. Clean periodically with a soft cloth to avoid dirt/debris accumulation.

**NEVER** use alcohol, solvents, or ammonia-based cleaners.

## MAINTENANCE

Regular inspections are recommended to ensure proper function and extended life. There are no user serviceable parts inside this fixture. Please refer all other service issues to an authorized Elation service technician. Should you need any spare parts, please order genuine parts from an authorized Elation dealer.

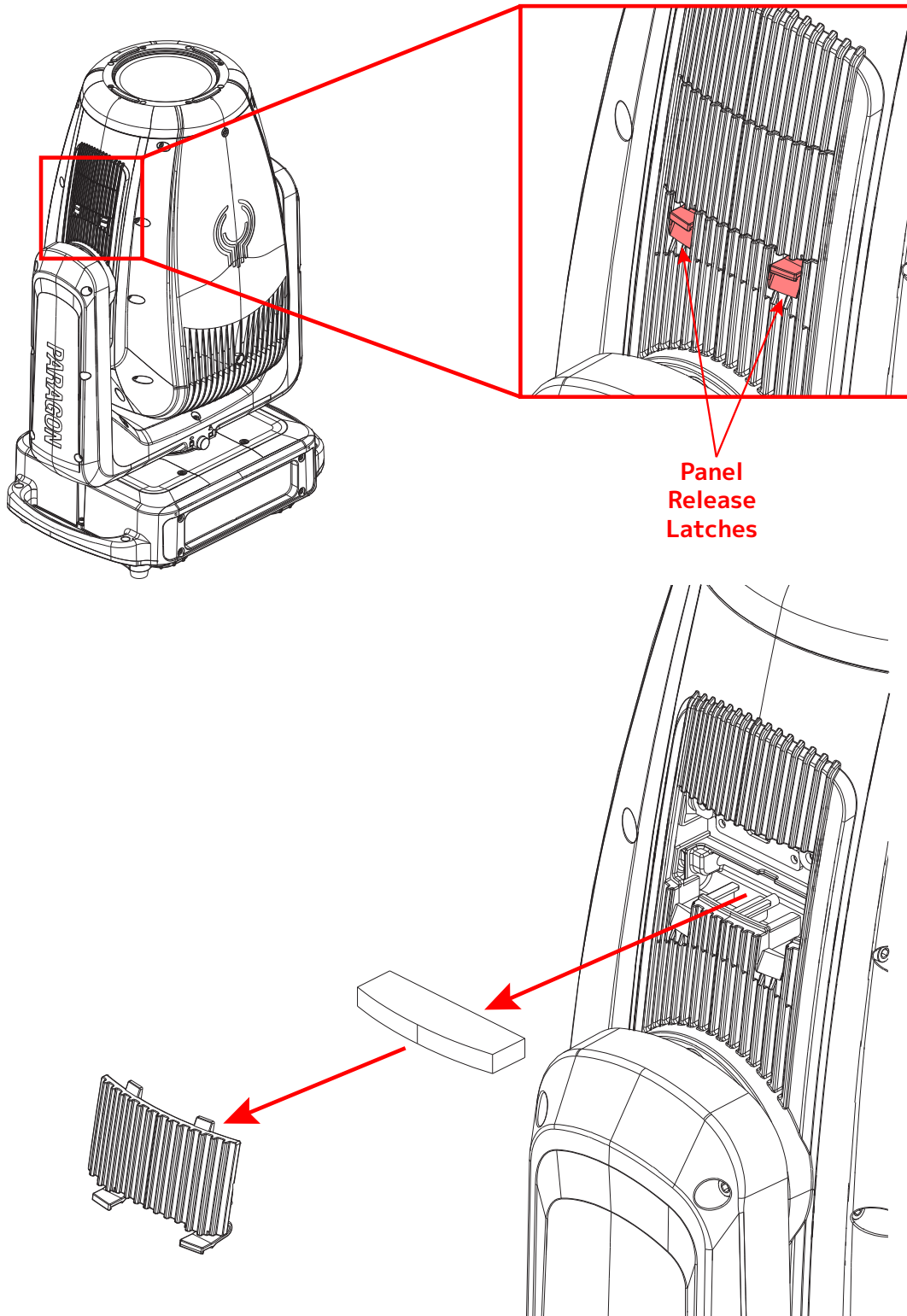
Please refer to the following points during routine inspections:

- A detailed electrical check by an approved electrical engineer every three months, to make sure the circuit contacts are in good condition and prevent overheating.
- Be sure all screws and fasteners are securely tightened at all times. Loose screws may fall out during normal operation, resulting in damage or injury as larger parts could fall.
- Check for any deformations on the housing, color lenses, rigging hardware and rigging points (ceiling, suspension, trussing). Deformations in the housing could allow for dust to enter into the fixture. Damaged rigging points or unsecured rigging could cause the fixture to fall and seriously injure a person(s).
- Electric power supply cables must not show any damage, material fatigue or sediments.
- Check the filter for buildup and replaced as needed, as a clogged filter can damage the fixture. The filter should be replaced every 6 months under normal conditions, but more frequent checks and replacement will be needed if the fixture is operating in a harsh environment.

# MAINTENANCE GUIDELINES

## FILTER REPLACEMENT

This fixture features a replaceable filter located behind a removable panel in the vent on one side of the head, just above the attachment point for the fixture arm. To replace the filter, release both latches on the panel, then remove it to reveal the filter. Remove the old filter and replace with a new filter. **The filter should be replaced every 6 months under normal conditions, but more frequent checks and replacement will be needed if the fixture is operating in a harsh environment, such as one with a high volume of dust or soot.**

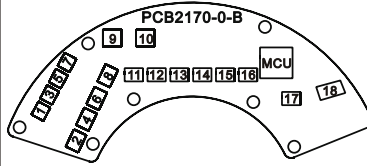




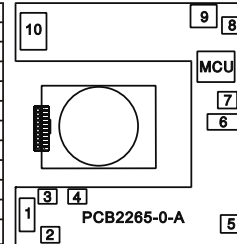
# WIRING LABELS

## HEAD LABEL DETAIL

| Framing PCB<br>PCB2170-0-B |                   |     |                     |
|----------------------------|-------------------|-----|---------------------|
| F1                         |                   | F10 |                     |
| F2                         | Bl. 2A Motor      | F11 | Iris Motor          |
| F3                         | Fram Index Sensor | F12 | Bl. 1A Motor        |
| F4                         | Bl. 3A Motor      | F13 | Bl. 4A Motor        |
| F5                         |                   | F14 | Bl. 1B Motor        |
| F6                         | Bl. 2B Motor      | F15 | Bl. 4B Motor        |
| F7                         |                   | F16 | Framing Index Motor |
| F8                         | Bl. 3B Motor      | F17 | BUS+Data In         |
| F9                         |                   | F18 | 48VDC In            |

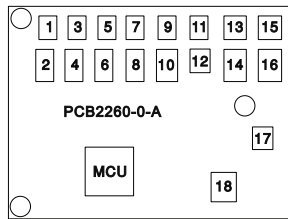
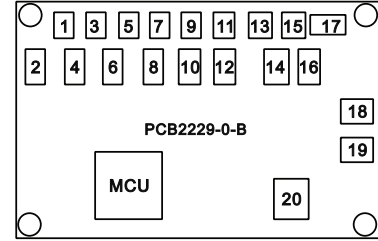


| LED Driver PCB<br>PCB2265-0-A |                  |
|-------------------------------|------------------|
| C1                            | LED Power Out 1  |
| C2                            | Head Btm Fan 1   |
| C3                            | Radiator Fan 1   |
| C4                            | Radiator Fan 2   |
| C5                            | LED Driver Fan 1 |
| C6                            | 48V DC Input     |
| C7                            | BUS+Data In      |
| C8                            | LED Driver Fan 2 |
| C9                            | Head Btm Fan 2   |
| C10                           | LED Power Out 2  |



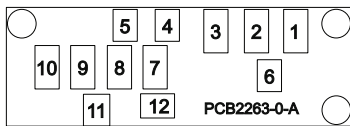
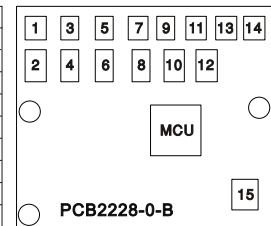
| Gobo Color PCB<br>PCB2229-0-B |                       |
|-------------------------------|-----------------------|
| E1                            | Animation Gobo Sensor |
| E2                            | Animation Motor       |
| E3                            | Animation Sensor      |
| E4                            | Animation Rot. Motor  |
| E5                            | Animation Rot. Sensor |
| E6                            | Rot. Gobo Motor       |
| E7                            | Rot. Gobo Sensor      |
| E8                            | Rot. Gobo Rot. Motor  |
| E9                            | Fixed Gobo Sensor     |
| E10                           | Fixed Gobo Motor      |
| E11                           | Color Sensor          |
| E12                           | Color Motor           |
| E13                           |                       |
| E14                           | BUS+Data In           |
| E15                           |                       |
| E16                           | BUS+Data Out          |
| E17                           |                       |
| E18                           | Gobo Color Fan        |
| E19                           |                       |
| E20                           | 48VDC In              |

| Prism Frost PCB<br>PCB2229-0-B |                     |
|--------------------------------|---------------------|
| H1                             | Prism 2 Sensor      |
| H2                             | Prism 2 Motor       |
| H3                             | Prism 2 Rot. Sensor |
| H4                             | Prism 2 Rot. Motor  |
| H5                             |                     |
| H6                             | Frost 2 Motor       |
| H7                             | Prism 1 Sensor      |
| H8                             | Prism 1 Motor       |
| H9                             | Prism 1 Rot. Sensor |
| H10                            | Prism 1 Rot. Motor  |
| H11                            |                     |
| H12                            | Frost 1 Motor       |
| H13                            |                     |
| H14                            |                     |
| H15                            |                     |
| H16                            | BUS+Data In         |
| H17                            | Prism 1 Sensor      |
| H18                            | RS422 Bus           |
| H19                            |                     |
| H20                            | 48VDC In            |



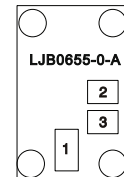
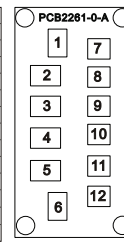
| Color Mix PCB<br>PCB2260-0-A |                |
|------------------------------|----------------|
| D1                           | Cyan Sensor    |
| D2                           | Cyan Motor     |
| D3                           | Magenta Sensor |
| D4                           | Magenta Motor  |
| D5                           | Yellow Sensor  |
| D6                           | Yellow Motor   |
| D7                           | CTO Sensor     |
| D8                           | CTO Motor      |
| D9                           |                |
| D10                          |                |
| D11                          |                |
| D12                          |                |
| D13                          |                |
| D14                          |                |
| D15                          |                |
| D16                          | BUS+Data In    |
| D17                          |                |
| D18                          | 48VDC In       |

| Zoom Focus PCB<br>PCB2228-0-B |                  |
|-------------------------------|------------------|
| G1                            | Focus Sensor 2   |
| G2                            |                  |
| G3                            | Focus Sensor 1   |
| G4                            | Focus Motor      |
| G5                            | Zoom Sensor      |
| G6                            | Zoom Motor       |
| G7                            | Head Temp Sensor |
| G8                            | BUS+Data In      |
| G9                            |                  |
| G10                           | BUS+Data Out     |
| G11                           |                  |
| G12                           | RS422 Bus        |
| G13                           |                  |
| G14                           |                  |
| G15                           | 48VDC In         |



| Fan Sensor PCB<br>PCB2263-0-A |                  |
|-------------------------------|------------------|
| M1                            | BUS+Data In      |
| M2                            | BUS+Data Out     |
| M3                            | Wash Lens Sensor |
| M4                            |                  |
| M5                            |                  |
| M6                            |                  |
| M7                            | Dehum Fan        |
| M8                            | System Fan       |
| M9                            |                  |
| M10                           |                  |
| M11                           | Dehum Heat       |
| M12                           | 48VDC In         |

| Power Dist. PCB<br>PCB2261-0-A |                                |
|--------------------------------|--------------------------------|
| K1                             | 48VDC In                       |
| K2                             |                                |
| K3                             | 48VDC Gobo-Color-Color Mix PCB |
| K4                             | 48VDC Zoom Focus PCB           |
| K5                             | 48VDC Fan-Dehum Heater PCB     |
| K6                             | 48VDC Framing PCB              |
| K7                             | BUS+Data In                    |
| K8                             | BUS LED Driver PCB             |
| K9                             | BUS Gobo PCB                   |
| K10                            | BUS Framing PCB                |
| K11                            | BUS Fan PCB                    |
| K12                            | BUS Zoom Frost PCB             |



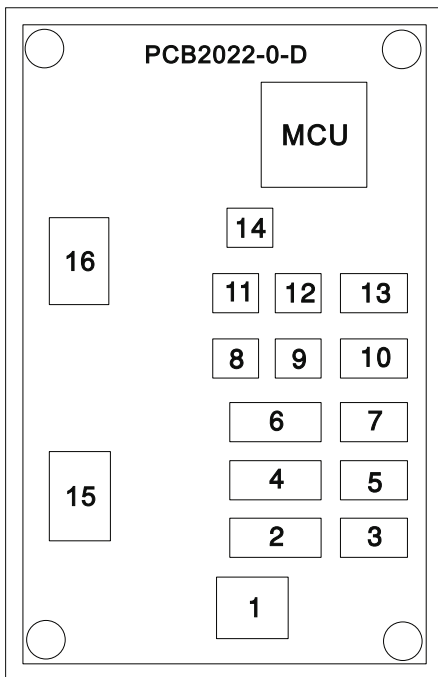
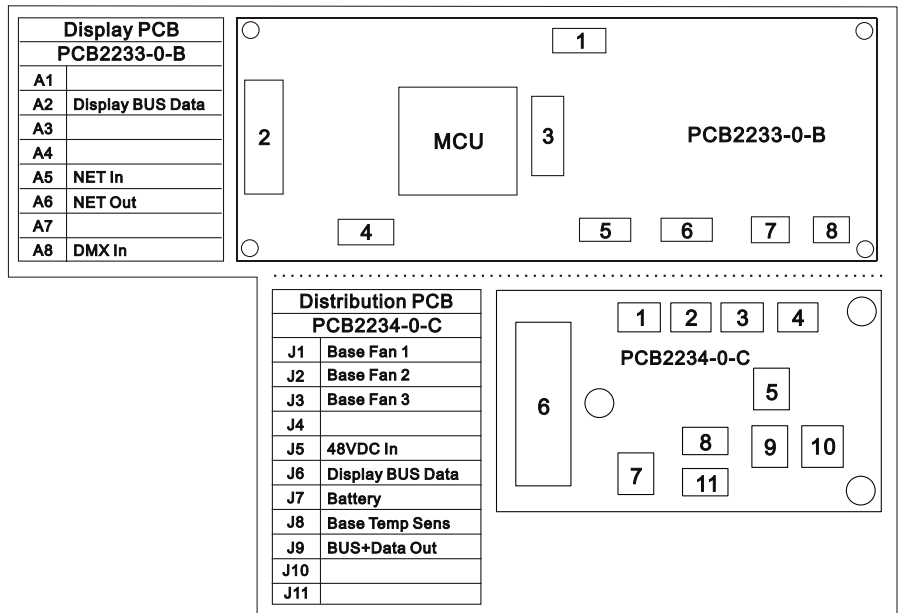
| Dehum Heater PCB<br>LJB0655-0-A |                 |
|---------------------------------|-----------------|
| N1                              | 48VDC In        |
| N2                              |                 |
| N3                              | Dehum Signal In |

# WIRING LABELS

## ARM LABEL DETAIL

| Pan Tilt PCB<br>PCB2022-0-D |                  |
|-----------------------------|------------------|
| B1                          | 48VDC In         |
| B2                          |                  |
| B3                          |                  |
| B4                          |                  |
| B5                          | Pan Opt. Sensor  |
| B6                          |                  |
| B7                          | Tilt Opt. Sensor |
| B8                          |                  |
| B9                          |                  |
| B10                         | BUS+Data Out     |
| B11                         | Pan Sensor       |
| B12                         |                  |
| B13                         | BUS+Data In      |
| B14                         | Tilt Sensor      |
| B15                         | Pan Motor        |
| B16                         | Tilt Motor       |

## BASE LABEL DETAIL



# SPECIFICATIONS

## SOURCE

High Efficiency 550W 6,500K Variable CRI White LED Engine  
30,000 Hour Average LED Life\*  
\*Test lab conditions. May vary depending on several factors including but not limited to: Environmental Conditions, Power/Voltage, Usage Patterns (On-Off Cycling), Control, and Dimming.

## PHOTOMETRIC DATA

20500 Total Lumen Fixture Output @ CRI 80  
TruTone variable CRI up to CRI 93  
Front Lens 4.7" (120mm)

### Profile Lens (standard)

Zoom Range 5° - 50°  
Beam Angle 4.9° - 44.7°  
Field Angle 5.2° - 47.8°  
Cutoff Angle 5.3° - 48.6°

### PC Lens (optional)

Zoom Range 6° - 45°  
Beam Angle 4.2° - 40.6°  
Field Angle 6.1° - 44.7°  
Cutoff Angle 6.9° - 47.2°

### Fresnel Lens (optional)

Zoom Range 8° - 50°  
Beam Angle 4.8° - 39°  
Field Angle 8.2° - 50.2°  
Cutoff Angle 11.4° - 59.4°

## EFFECTS

Motorized Zoom  
4 Full Blackout Framing Blades, +/-40° Index  
+/-120° Framing Module Index  
Full 360° Bi-Directional Animation Wheel  
4-Facet Round and Linear Rotating Prisms  
2 Variable Frost Filters (Light and Wash)  
Motorized Iris with Variable Pulse Effects  
Variable 16-bit Dimming Curve Modes  
High Speed Electronic Shutter and Strobe  
DMX Controllable LED Refresh Rate  
Pan Angle: 540°  
Tilt Angle: 260°

## COLOR

CMY Color Mixing  
Linear CTO Color Correction 6500K - 2600K  
7 Dichroic Colors including UV Filter, Quad Color  
TruTone variable CRI 73-93

## GOBOS

7 Rotating / Indexing Interchangeable Glass Gobos  
9 Fixed Metal Gobos

## CONTROL / CONNECTIONS

4 DMX Channel Modes (41/64/41/64)  
16-bit Pan, Tilt and Dimming Control  
5 Fan modes for ultra quiet operation  
DMX, RDM, Art-NET, sACN Protocol Support  
(4) Button Touch Control Panel  
Full Color 180° Reversible LCD Menu Display  
NFC on bottom and front of fixture base  
Hibernation Mode (Power Save)  
IP65 Locking 5pin XLR In/Out  
IP65 Locking RJ45 Ethernet In/Out  
IP65 Locking Power In

## SIZE / WEIGHT

Length: 10.2 in (260mm)  
Width: 15.3 in (390mm)  
Height: 23.4 in (595 mm)  
Center-to-Center Distance: 20.7 in (526mm)  
Weight: 50.8 lbs. (23.0 kg)

## MOUNTING

2x 180mm Omega Bracket  
2x M12 Screw Hole  
Fixture can be mounting in any orientation

## ELECTRICAL

AC 100-240V 50/60Hz  
Max Power Consumption 900W  
-4°F to 113°F (-20°C to 45°C)

## INCLUDED ITEMS

Omega Brackets (x2)  
IP65 Rated Locking Power Cable  
Stainless Steel Safety Wire  
Foam Inlay

## APPROVALS / RATINGS

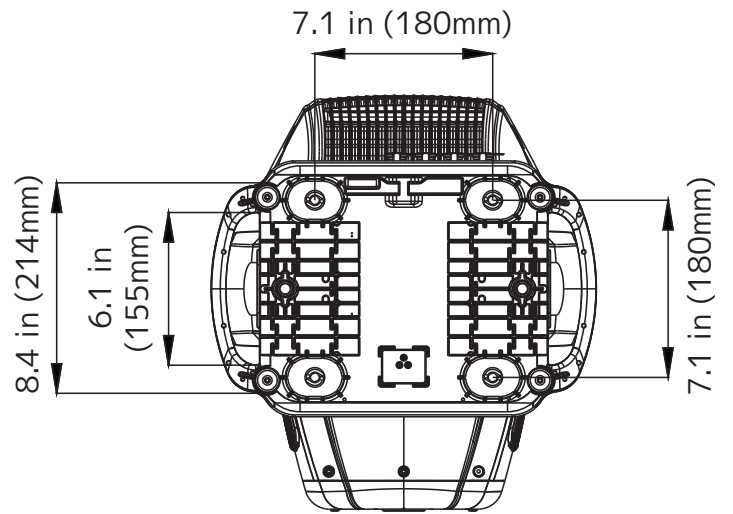
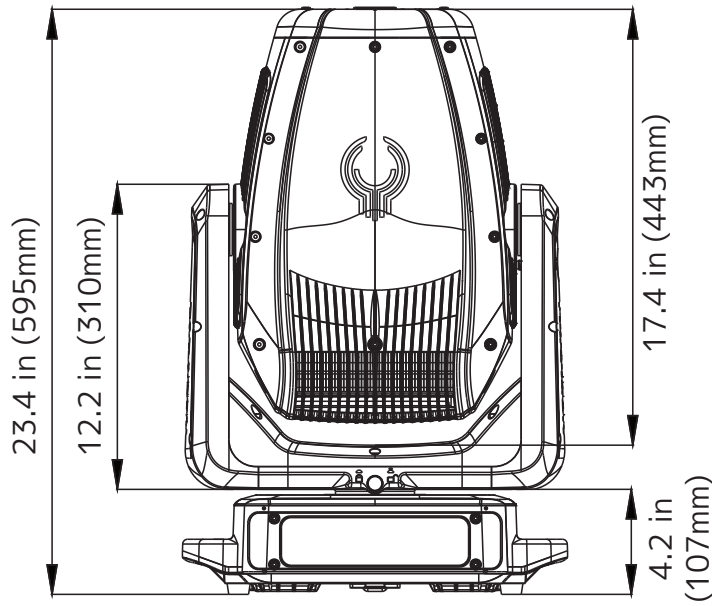
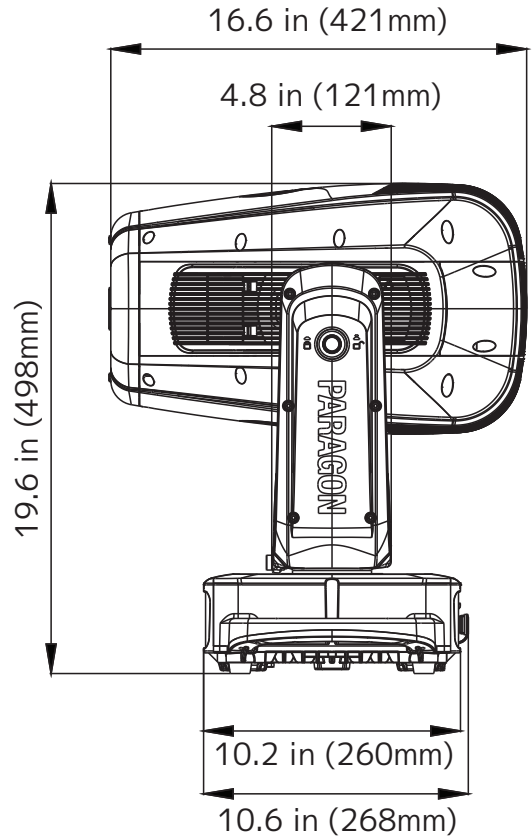
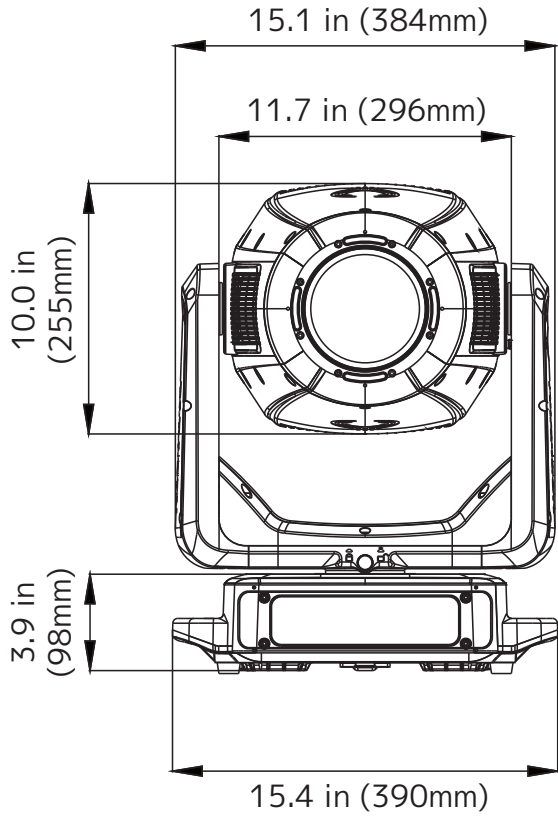
CE | cETLus | FCC | UKCA | IP54



Specifications and documentation subject to change without notice.

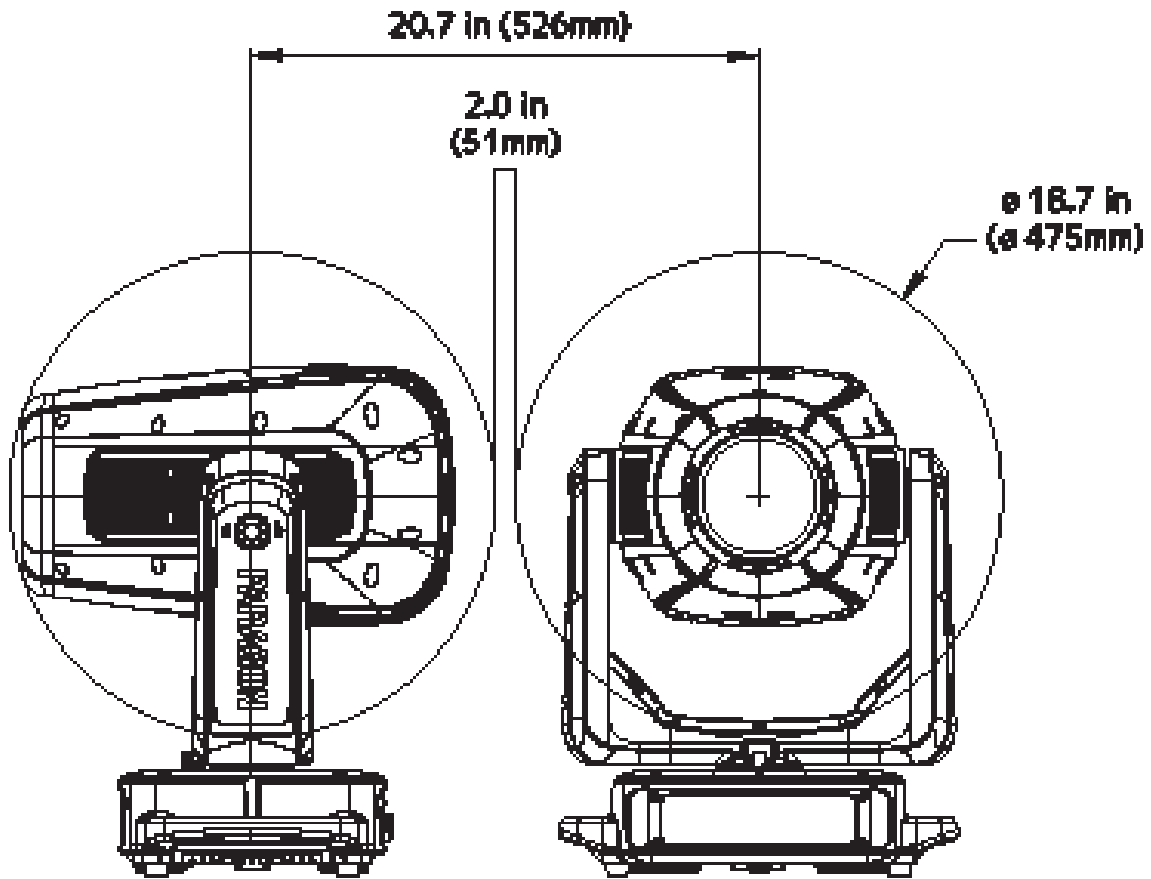
# DIMENSIONAL DRAWINGS

Drawings not to scale

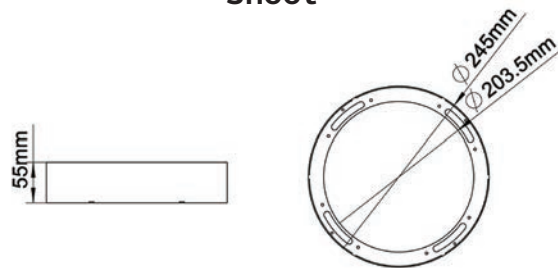


# DIMENSIONAL DRAWINGS

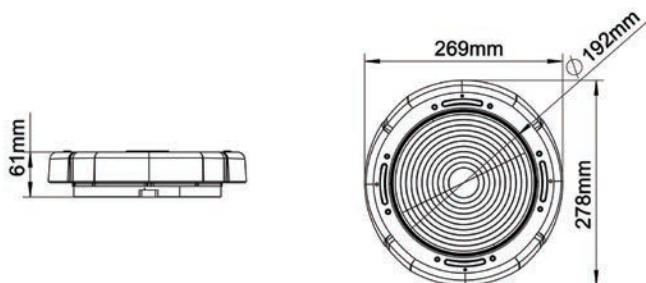
Drawings not to scale



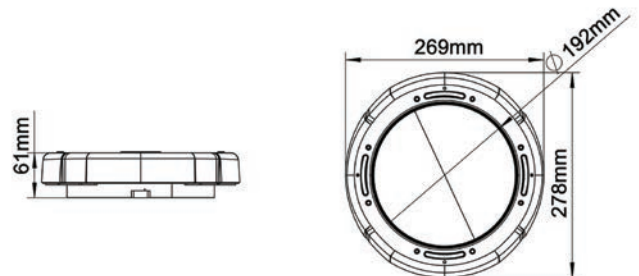
### Snoot



### Fresnel Lens

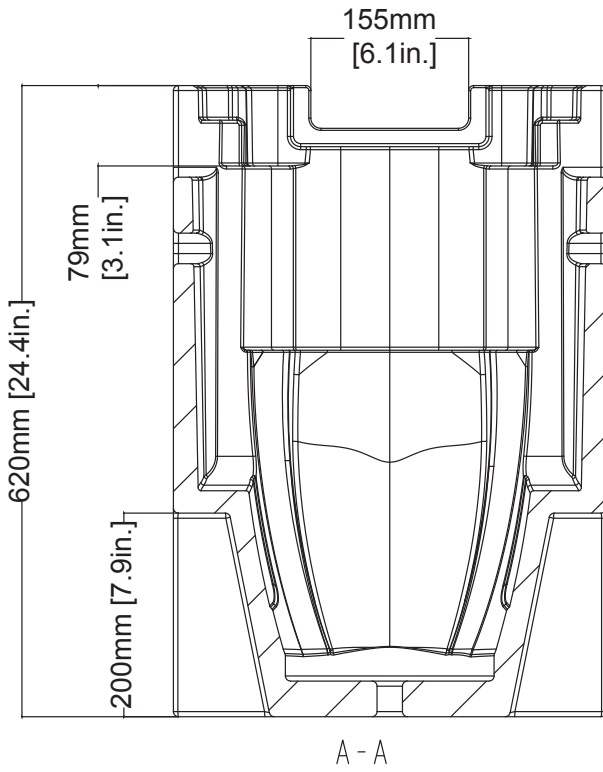
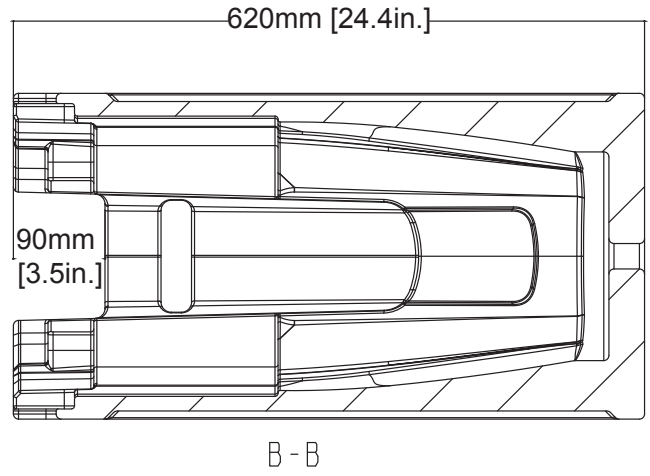
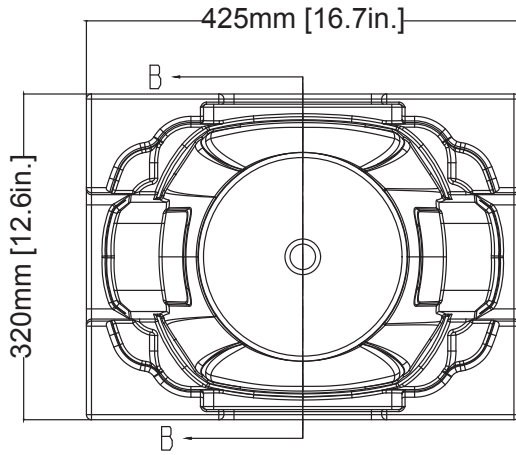


### PC Lens



# DIMENSIONAL DRAWINGS

Drawings not to scale



# ORDERING INFORMATION

| SKU (US) | SKU (EU)   | ITEM DESCRIPTION       |
|----------|------------|------------------------|
| PAR101   | 1237000347 | Elation Paragon S      |
| PAR160   | 1237000366 | Paragon S Fresnel Lens |
| PAR184   | 1237000365 | Paragon S PC Lens      |
| PAR136   | 1237000369 | Paragon S Snoot        |

## FCC STATEMENT

This device complies with Part 15 of the FCC Rules. Operation is subject to the following two conditions: (1) this device may not cause harmful interference, and (2) this device must accept any interference received, including interference that may cause undesired operation.

### FCC RADIO FREQUENCY INTERFERENCE WARNINGS & INSTRUCTIONS

This product has been tested and found to comply with the limits as per Part 15 of the FCC Rules. These limits are designed to provide reasonable protection against harmful interference in a residential installation. This device uses and can radiate radio frequency energy and, if not installed and used in accordance with the included instructions, may cause harmful interference to radio communications. However, there is no guarantee that interference will not occur in a particular installation. If this device does cause harmful interference to radio or television reception, which can be determined by turning the device off and on, the user is encouraged to try to correct the interference by one or more of the following methods:

- Reorient or relocate the device.
- Increase the separation between the device and the receiver.
- Connect the device to an electrical outlet on a circuit different from which the radio receiver is connected.
- Consult the dealer or an experienced radio/TV technician for help.

### Energy Saving Matters (EuP 2009/125/EC)

Saving electric energy is a key to help protecting the environment. Please turn off all electrical products when they are not in use. To avoid power consumption in idle mode, disconnect all electrical equipment from power when not in use. Thank you!



