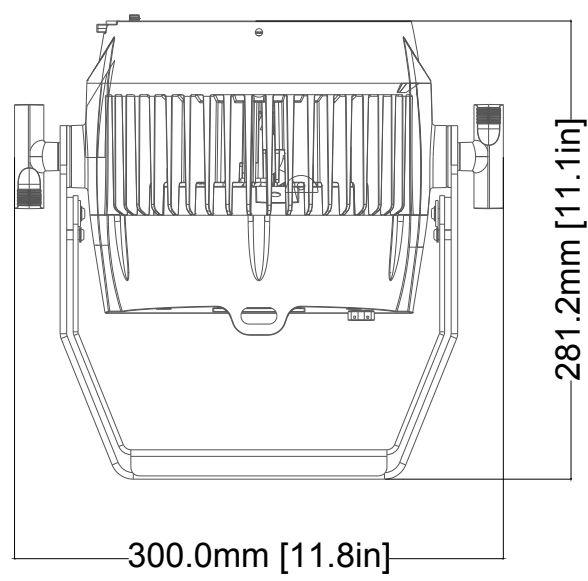
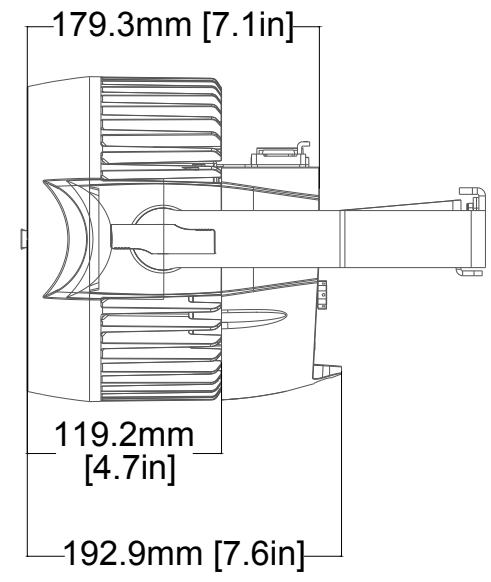
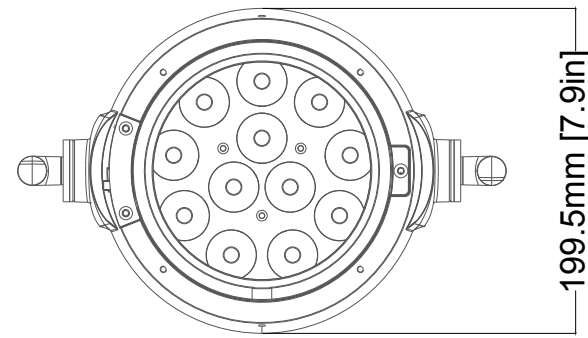


©ADJ PRODUCTS, LLC all rights reserved. Information contained within this drawing is proprietary and confidential. Any reproduction and/or distribution of any part of this drawing without the written consent of ADJ Products, LLC is strictly prohibited. Diagrams and/or measurements herein subject to change without notice.



TITLE:		ADJ ENCORE LP12IP		DATE:	1-AUG-2022
SCALE:	TOL:	.XX(.X)	.XXX(.XX)	ANGLE:	
NONE	±	-	-	-	