



CRISP MAX

SPECIFICATIONS / TECHNICAL DATA

KEY FEATURES

1250W high-output Magmatic snow technology

Adjustable snowflake size

Road case for easy transportation and extra protection

Snow cannon can remain inside road case to minimize noise level

IP Rating: IP20, dry location



PRODUCT DESCRIPTION

Introducing **CRISP MAX™** from MAGMATIC atmospheric effects, a dependable, high-output snow machine that makes it easy to create scene-setting wintry settings. **CRISP MAX** is capable of producing high volumes of naturalistic snow with the capacity to adjust snowflake size for greater versatility. It includes a 20-liter fluid tank hidden inside a road case with durable casters for easier portability. The unit's 10-meter long hose can be rigged on a standard truss or tripod stand and can extend up to 30 meters horizontally or vertically.

PRODUCT SPECIFICATIONS

DYNAMIC EFFECTS

Snow Adjustment: 1-100%

Fan Speed Adjustment: 50% or 100%

Auto-Cleaning Feature

CONTROL

2 Card Inputs for optional cards

RDM (Remote Device Management)

Control Protocol: DMX512

DMX Modes: 3 (1, 3 & 5 Channel)

On-Board Timing Control

5 Factory Presets

4-pin Wired Remote Input

Touch Screen Display

Manual Trigger via Touch Display or Green Push Button

MagRemote VIDI

CONNECTIONS

Data Connector: 5-pin XLR In / Out for DMX connections, 4-pin XLR for optional wired remote.

Locking Power Connector

CONSTRUCTION / PHYSICAL / PERFORMANCE

Dimensions: (LxWxH) 21.3 x 21.1 x 24.5in / 540 x 535 x 623.5mm

Weight: 77.17lbs / 35kg

Fluid Tank Capacity: 20L

Fluid Consumption: 16.9 fl. oz/min (500ml/min)

MAGMATIC



CRISP MAX

SPECIFICATIONS / TECHNICAL DATA

COMPATIBLE FLUID

Recommended Fluid: Atmosity Premium Snow Fluid. APS-1LC (Concentrate = 20L) , APS-4LC (Concentrate = 80L), APS-10LC (Concentrate = 200L), APS-4L, APS-20L

ELECTRICAL

Power Consumption: 1250w
Input Voltage: 120V, 230V, 240V, 50 & 60Hz
Breaker Size: 15A (120V Version)
Breaker Size: 9A (230V Version)

CERTIFICATIONS / QUALIFICATIONS / THERMAL

IP Rating: IP20, dry location
Maximum Temperature (Ambient): 104°F (40°C)
Exterior Surface Temperature: 122°F (50°C)
CE / cETLus | UKCA

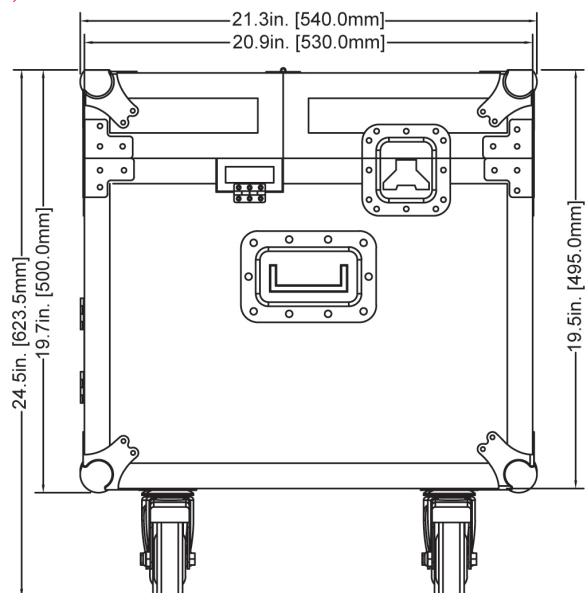
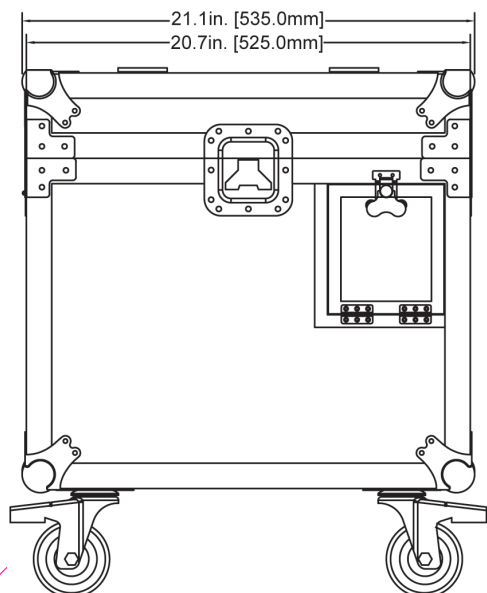
WHAT'S INCLUDED

Flight Case
14AWG Locking Power Cable
Snow Cannon
10-Meter Long Hose

OPTIONAL ACCESSORIES

MagFLY Card
MagRF Card
PSCM Hose-10M (PSC100)
PM-DMX1

Specifications and documentation are subject to change without notice.



MAGMATIC