

ARIA X2 TB

User Manual

©2026 **ELATION PROFESSIONAL** all rights reserved. Information, specifications, diagrams, images, and instructions herein are subject to change without notice. ELATION PROFESSIONAL logo and identifying product names and numbers herein are trademarks of ELATION PROFESSIONAL. Copyright protection claimed includes all forms and matters of copyrightable materials and information now allowed by statutory or judicial law or hereinafter granted. Product names used in this document may be trademarks or registered trademarks of their respective companies and are hereby acknowledged. All non-ELATION brands and product names are trademarks or registered trademarks of their respective companies.

ELATION PROFESSIONAL and all affiliated companies hereby disclaim any and all liabilities for property, equipment, building, and electrical damages, injuries to any persons, and direct or indirect economic loss associated with the use or reliance of any information contained within this document, and/or as a result of the improper, unsafe, insufficient and negligent assembly, installation, rigging, and operation of this product.

Elation Professional USA | 6122 S. Eastern Ave. | Los Angeles, CA. 90040
323-582-3322 | www.elationlighting.com | info@elationlighting.com

Elation Professional B.V. | Junostraat 2 | 6468 EW Kerkrade, The Netherlands
+31 45 546 85 66 | www.elationlighting.eu | info@elationlighting.eu

Elation Professional Mexico | AV Santa Ana 30 | Parque Industrial Lerma, Lerma, Mexico 52000
+52 (728) 282-7070

DOCUMENT VERSION



Due to additional product features and/or enhancements, an updated version of this document may be available online. Please scan the QR Code with your mobile device or visit www.elationlighting.com for the latest revision/update of this manual, before installation and/or programming.

Date	Document Version	Software Version >	Modes	Notes
11/13/25	1.0	1.00	N/A	Initial Release
06/18/26	1.1	N/C	N/A	Updated: Specifications

CONTENTS

General Information	4
Safety Guidelines	5
Battery Warnings	6
Overview	7
Rear Connections	8
DMX Setup	9
Installation Guidelines	11
Aria X2 BLE App Setup	16
System Menu	18
Frequency & Wireless Location Guidelines	20
Firmware Update	21
Maintenance	22
Specifications	23
Dimensions Drawings	24
Optional Accessories Antenna Information	25
FCC Statement	26

GENERAL INFORMATION

INTRODUCTION

Please read and understand the instructions in this manual carefully and thoroughly before attempting to operate this device. These instructions contain important safety and use information. This device is intended for professional use only.

UNPACKING

Every device has been thoroughly tested and has been shipped in perfect operating condition. Carefully check the shipping carton for damage that may have occurred during shipping. If the carton is damaged, carefully inspect the device for damage, and be sure all accessories necessary to install and operate the device have arrived intact. In the event damage has been found or parts are missing, please contact our customer support team for further instructions. Please do not return this device to your dealer without first contacting customer support. Please do not discard the shipping carton in the trash. Please recycle whenever possible.

BOX CONTENTS

1.83M locking power cable
2 antennas

CUSTOMER SUPPORT

Contact ELATION Service for any product related service and support needs. Also visit forums.elationlighting.com with questions, comments or suggestions.

ELATION SERVICE USA - Monday - Friday 8:00am to 4:30pm PST
323-582-3322 | support@elationlighting.com

ELATION SERVICE EUROPE - Monday - Friday 08:30 to 17:00 CET
+31 45 546 85 63 | Fax +31 45 546 85 96 | support@elationlighting.eu

REPLACEMENT PARTS please visit parts.elationlighting.com

LIMITED WARRANTY

For up-to-date warranty information regarding your device, please visit Elation's warranty information page online or scan the QR codes below.



USA: <https://www.elationlighting.com/warranty-information>



EU: https://www.elationlighting.eu/terms_and_conditions

THERE ARE NO USER SERVICEABLE PARTS INSIDE THIS UNIT. DO NOT ATTEMPT ANY REPAIRS YOURSELF, AS DOING SO WILL VOID YOUR MANUFACTURER'S WARRANTY. DAMAGES RESULTING FROM MODIFICATIONS TO THIS FIXTURE AND/OR THE DISREGARD OF SAFETY INSTRUCTIONS AND GUIDELINES IN THIS MANUAL VOID THE MANUFACTURER'S WARRANTY AND ARE NOT SUBJECT TO ANY WARRANTY CLAIMS AND/OR REPAIRS.

SAFETY GUIDELINES

This device is a sophisticated piece of electronic equipment. To guarantee a smooth operation, it is important to follow all instructions and guidelines in this manual. Elation Professional is not responsible for injury and/or damages resulting from the misuse of this device due to the disregard of the information printed in this manual. Only the original included parts and/or accessories for this device should be used. Any modifications to the device, included and/or accessories will void the original manufacturer's warranty and increase the risk of damage and/or personal injury.



PROTECTION CLASS 1 - FIXTURE MUST BE PROPERLY GROUNDED



THERE ARE NO USER SERVICEABLE PARTS INSIDE THIS UNIT. DO NOT ATTEMPT ANY REPAIRS YOURSELF; DOING SO WILL VOID YOUR MANUFACTURER'S WARRANTY. DAMAGES RESULTING FROM MODIFICATIONS TO THIS FIXTURE AND/OR THE DISREGARD OF SAFETY INSTRUCTIONS AND GUIDELINES IN THIS MANUAL VOID THE MANUFACTURER'S WARRANTY AND ARE NOT SUBJECT TO ANY WARRANTY CLAIMS AND/OR REPAIRS.



**DO NOT PLUG FIXTURE INTO A DIMMER PACK!
NEVER OPEN THIS FIXTURE WHILE IN USE!
UNPLUG POWER BEFORE SERVICING FIXTURE!
NEVER TOUCH FIXTURE DURING OPERATION, AS IT MAY BE HOT!
KEEP FLAMMABLE MATERIALS AWAY FROM FIXTURE!**



**INDOOR / DRY LOCATIONS USE ONLY!
DO NOT EXPOSE FIXTURE TO RAIN AND MOISTURE!**

DO NOT shake the device; avoid brute force when installing and/or operating the device.

DO NOT operate the device if the power cord is frayed, crimped, damaged, and/or if any of the power cord connectors are damaged and do not insert into the fixture securely with ease.

NEVER force a power cord connector into the device. If the power cord or any of its connectors are damaged, replace it immediately with a new one of a similar power rating.

When installing the fixture in a suspended environment, always use mounting hardware that is no less than M10 x 25 mm, and always install the fixture with an appropriately rated safety cable.

Always disconnect the fixture from the main power source before performing any type of service and/or cleaning procedure.

Only handle the power cord by the plug end; never pull out the plug by tugging the wire portion of the cord.

During the initial operation of this fixture, light smoke or a smell may emit from the interior of the fixture. This is a normal process and is caused by excess paint in the interior of the casing burning off from the heat associated with the lamp and will decrease gradually over time.

Consistent operational breaks will ensure the fixture functions properly for many years.

ONLY Use the original packaging and materials to transport the fixture for service.

BATTERY WARNINGS

HANDLING PRECAUTIONS

Do not short circuit the battery. Avoid subjecting the battery to a short circuit, as doing so generates a very high current, resulting in overheating, electrolyte gel leakage, harmful fumes, explosion risk, or other damage to the battery.

Mechanical shock. Dropping, impacting, striking, or bending the unit, or subjecting the unit to any other types of mechanical shock may cause failure or shortend life of the battery.

Do not disassemble the batteries. Never disassemble the batteries, as doing so may result in an internal short circuit in the battery, leading to fire, explosion, release of harmful fumes, or other hazards. Electrolyte gel is harmful, and contact should be avoided whenever possible. Should the electrolyte gel come into contact with the skin or eyes, flush the area of contact immediately with fresh water and seek medical attention immediately.

Do not expose battery to heat or fire. Never incinerate or dispose of the batteries in fire, as this could result in an explosion.

Do not exposure the battery to water or liquids. Never expose or immerse the batteries in liquids of any type, including water, seawater, soft drinks, juices, coffee, or other beverages.

Battery Replacement. For battery replacement please contact customer support.

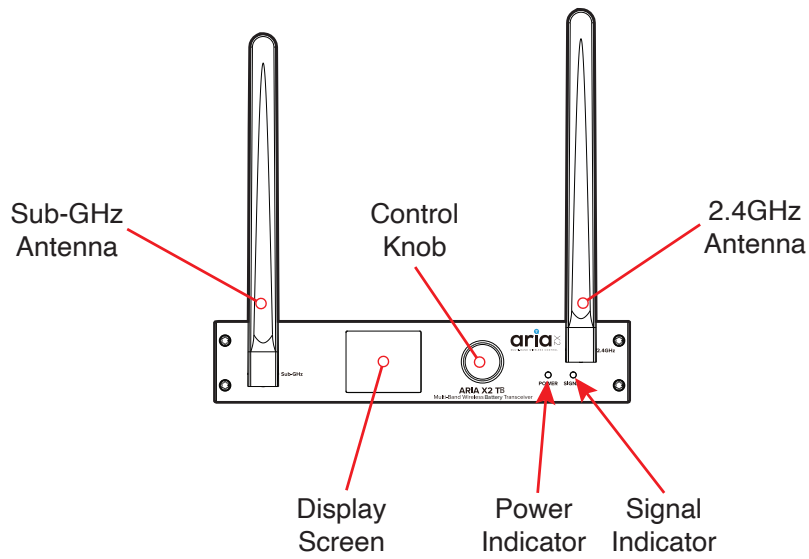
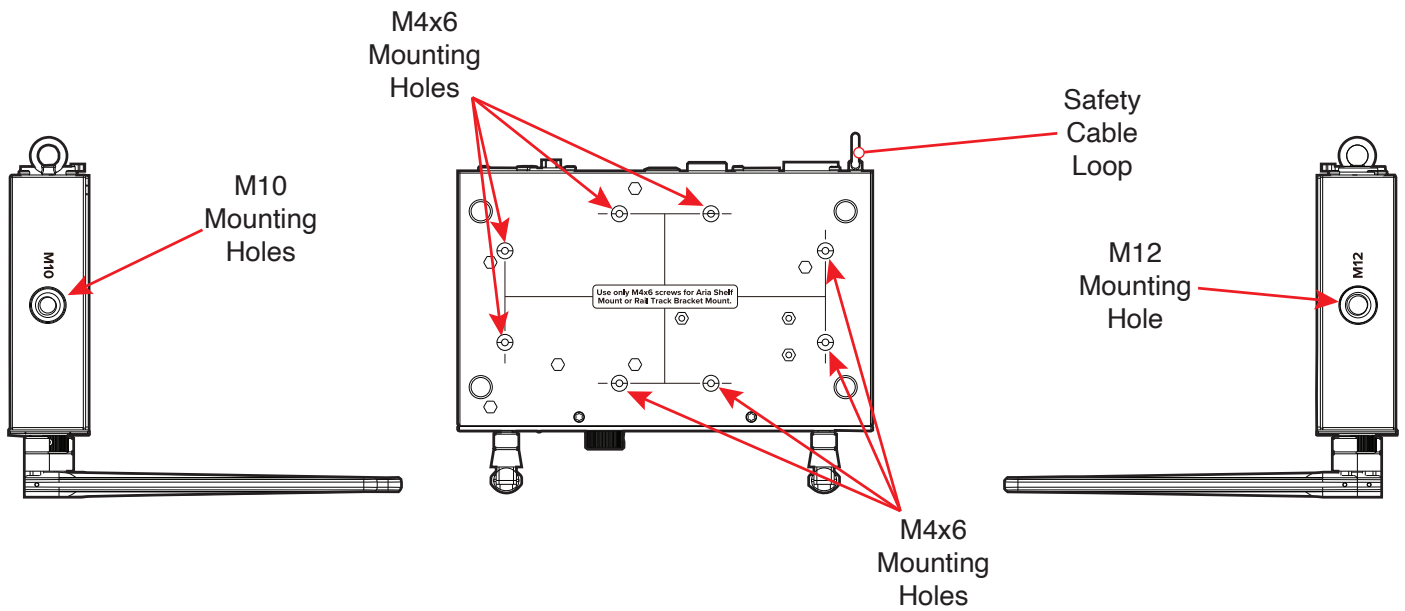
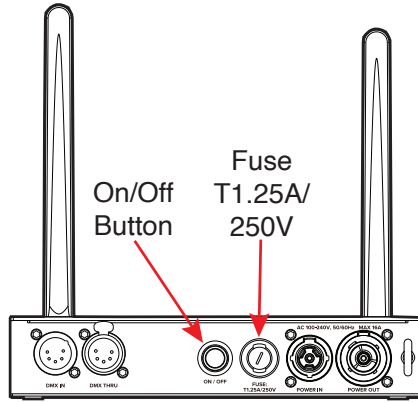
Never use a damaged battery. Shipping carries a risk of damage to the battery. Should damage be observed, including damage to the plastic casing of the battery, deformation of the battery package, chemical or electrolyte odor, or leakage of the electrolyte gel, or any other miscellaneous damage, **DO NOT use the battery.** A battery with a odor of electrolyte or a gel leakage should be placed away from fire to avoid risk of fire or explosion.

Battery Storage. The battery should be stored at room temperature, with a charge of at least 50%. During long periods of storage, it is recommended that the battery be charged every 6 months. Doing so will prolong the life of the battery and will also make sure that the battery charge does not fall below the 30% mark.

Other Chemical Reactions. Because batteries rely on a chemical reaction to work, battery performance will deteriorate over time, even if stored for a long period of time without being used. In addition, if various usage conditions (such as charge, discharge, ambient temperature, etc.) are not maintained within the specified ranges, the life expectancy of the battery maybe shortened or the device in which the battery is used may be damaged by electrolyte gel leakage. If the batteries cannot maintain a charge for long periods of time, even when they are charged correctly, this may indicate the need to replace the battery.

Battery Disposal. Please dispose of battery according to local regulations.

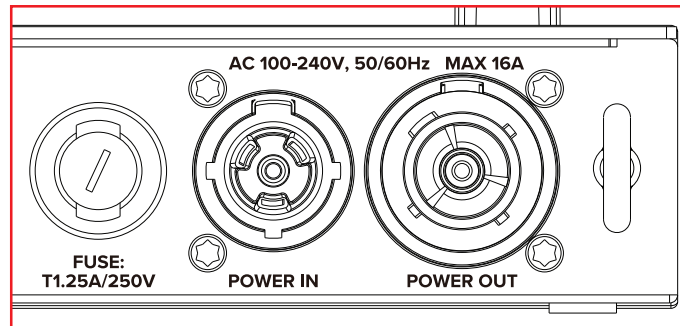
OVERVIEW



REAR CONNECTIONS

AC CONNECTIONS

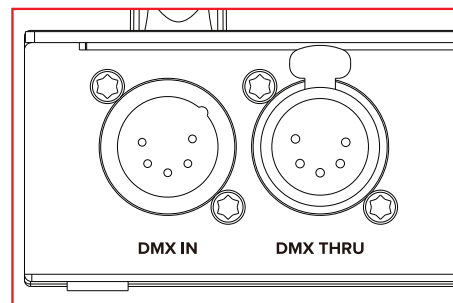
The Aria X2 Transceiver is rated for 100-240V 50/60Hz, and accepts AC mains power within that range. Do not connect it to power outside this range. Note that the device uses a T1.25A/250V fuse. Damage resulting from incorrect connection is not covered under warranty. A cable with a NEMA 15-5P plug is provided for use with the device in the USA and Canada. This approved cable must be used in North America.



DMX CONNECTIONS:

The DMX Input/Output connections are 5pin male/female XLR. The pin-out on the socket is pin 1 to shield, pin 2 to cold (-), and pin 3 to hot (+). Pins 4 and 5 are not used. Carefully connect DMX cables to the respective ports. To prevent damaging the DMX ports, provide strain relief and support. Avoid connecting FOH Snakes to the ports directly.

Pin	Connection
1	Com
2	Data -
3	Data +
4	Not connected
5	Not connected



DMX SETUP

DMX-512:

Digital Multiplex, or DMX, serves as a universal protocol utilized by most lighting and controller manufacturers for communication between intelligent fixtures and controllers. A DMX controller sends DMX data instructions from the controller to the fixture. DMX data is transmitted as serial data, traveling from fixture to fixture through the DATA 'IN' and DATA 'OUT' XLR terminals found on all DMX fixtures. Most controllers only have a DATA 'OUT' terminal.

DMX LINKING:

As a language, DMX enables all makes and models from different manufacturers to be connected and operated from a single controller, provided that all fixtures and the controller are DMX compliant. To ensure proper DMX data transmission when using multiple DMX fixtures, use the shortest cable path possible. The order in which fixtures are connected in a DMX line does not affect the DMX addressing. For example, a fixture assigned a DMX address of 1 can be placed anywhere in a DMX line—at the beginning, at the end, or anywhere in the middle. Therefore, the first fixture controlled by the controller could be the last fixture in the chain. When a fixture is assigned a DMX address of 1, the DMX controller knows to send data assigned to address 1 to that unit, regardless of its position in the DMX chain.

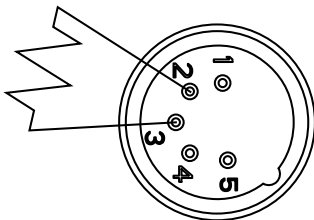
DATA CABLE (DMX CABLE) REQUIREMENTS:

The Aria X2 Transceiver can be controlled via the DMX-512 protocol. The DMX address is electronically set using the controls on the front panel of the unit. Both the unit and the DMX controller require an approved DMX-512 110 Ohm Data cable for data input and output. Accu-Cable DMX cables are recommended. If you are making your own cables, ensure that you use standard 110-120 Ohm shielded cable (which can be purchased at most professional sound and lighting stores). Cables should be made with a male and female XLR connector on either end of the cable. Additionally, keep in mind that DMX cable must be daisy-chained and cannot be split.



LINE TERMINATION:

When using longer runs of cable, one may need to use a terminator on the last unit to avoid erratic behavior. A terminator is a 110-120 ohm 1/4-watt resistor, which connects between pins 2 and 3 of a male XLR connector (DATA + and DATA -). Insert this unit into the female XLR connector of the last unit in your daisy chain to terminate the line. Using a cable terminator (ADJ part number Z-DMX/T) will decrease the possibilities of erratic behavior.



A DMX512 terminator reduces signal errors, avoiding most signal reflection interference. Connect PIN 2 (DMX-) and PIN 3 (DMX+) of the last fixture in series with a 120 Ohm, 1/4 W Resistor to terminate the DMX512.

DMX SETUP

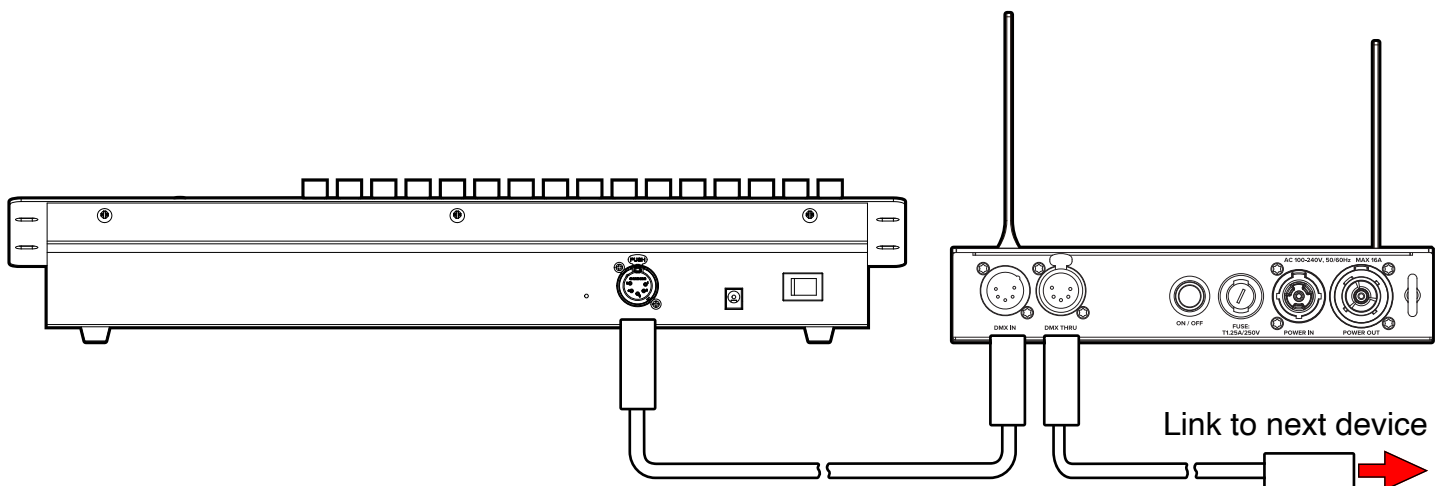
ARIA X2 TB OPERATION INSTRUCTIONS

Transmitter Mode: When transmitting, the signal indicator turns orange. You can set either 2.4G or Sub-GHz to choose a different channel.

Receiver Mode: When you set the device to receiver mode with the same frequency (2.4G or Sub-GHz) and channel as the transmitter device, the LED indicator turns green. You can then control the lighting.

ARIA X2 TB AS TRANSMITTER

When you connect the Aria X2 TB to a DMX controller, the DMX signal indicator turns green. The indicator of the Aria X2 TB turns orange, which indicates that it is in a transmitting status. **Please note that the transmitting unit will automatically connect to other nearby Aria X2 TB units that have been set to the same frequency setting.**



ASSIGNING DEVICE LABELS

Devices can be assigned a custom label, in order to help distinguish individual devices from one another. To do so, use the encoder knob to navigate to the Label menu in the main menu, then select either **Rename** or **Modify** and enter in the desired label for the device.

- **Rename** allows the user to create a new label from scratch, starting with a completely blank label.
- **Modify** allows the user to begin with the label that is currently in use (which by factory default will be "Aria X2 TB"), and make changes to that label.

INSTALLATION INSTRUCTIONS



DISCONNECT POWER BEFORE PERFORMING ANY MAINTENANCE!



ELECTRICAL CONNECTIONS

A qualified electrician should be used for all electrical connections and/or installations.



USE CAUTION WHEN POWER LINKING OTHER MODEL DEVICES AS THE POWER CONSUMPTION OF OTHER MODEL DEVICES MAY EXCEED THE MAXIMUM POWER OUTPUT OF THIS DEVICE. CHECK SILK SCREEN FOR MAXIMUM AMPS.



THE ARIA X2 TB IS DESIGNED TO BE TRUSS-MOUNTED; HOWEVER, IT CAN BE USED STAND-ALONE, WHERE THE DEVICE MUST SIT ON A FIRM FLAT SURFACE.

Device **MUST** be installed following all local, national, and country commercial electrical and construction codes and regulations.

POWER LINKING

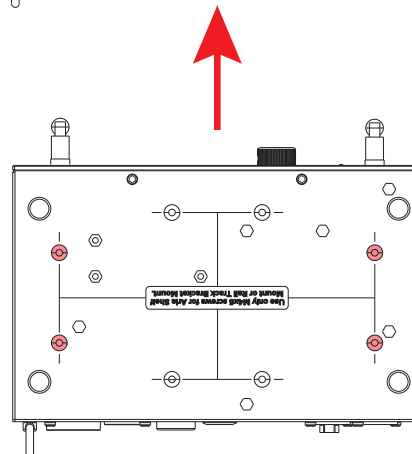
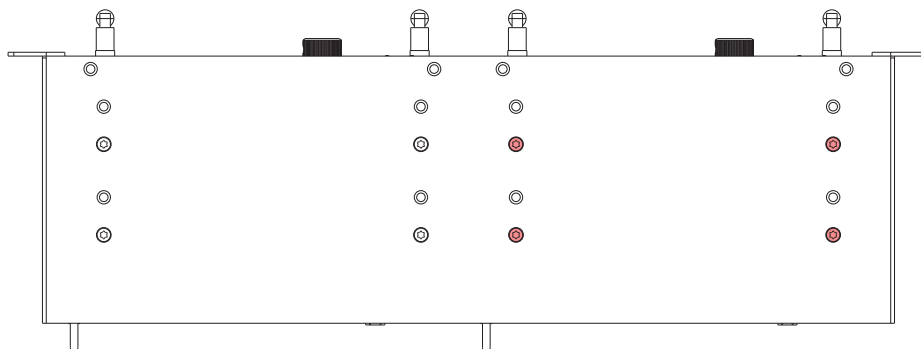
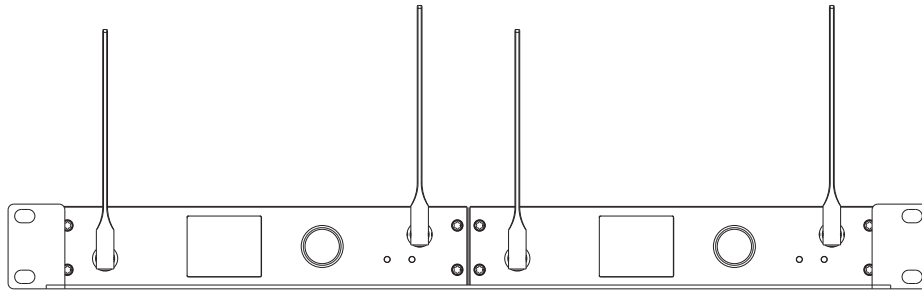
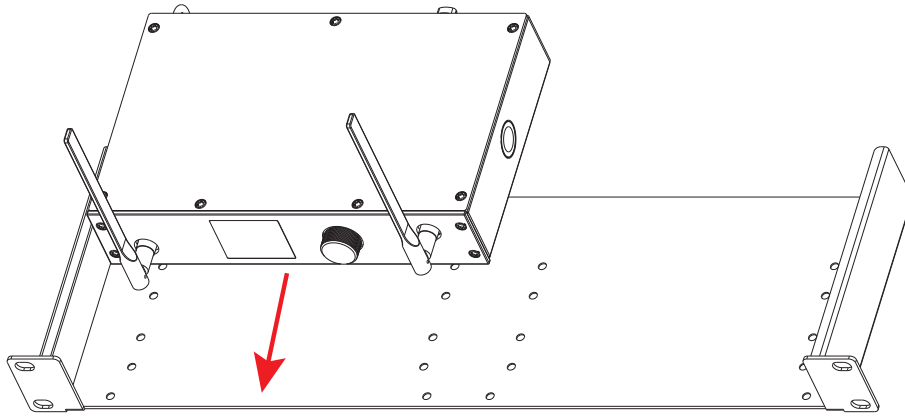


USE CAUTION WHEN POWER LINKING AS THE POWER CONSUMPTION MAY EXCEED THE MAXIMUM POWER OUTPUT ON THIS DEVICE. CHECK SILK SCREEN FOR MAXIMUM AMPS.

INSTALLATION GUIDELINES

RACK MOUNT INSTALLATION

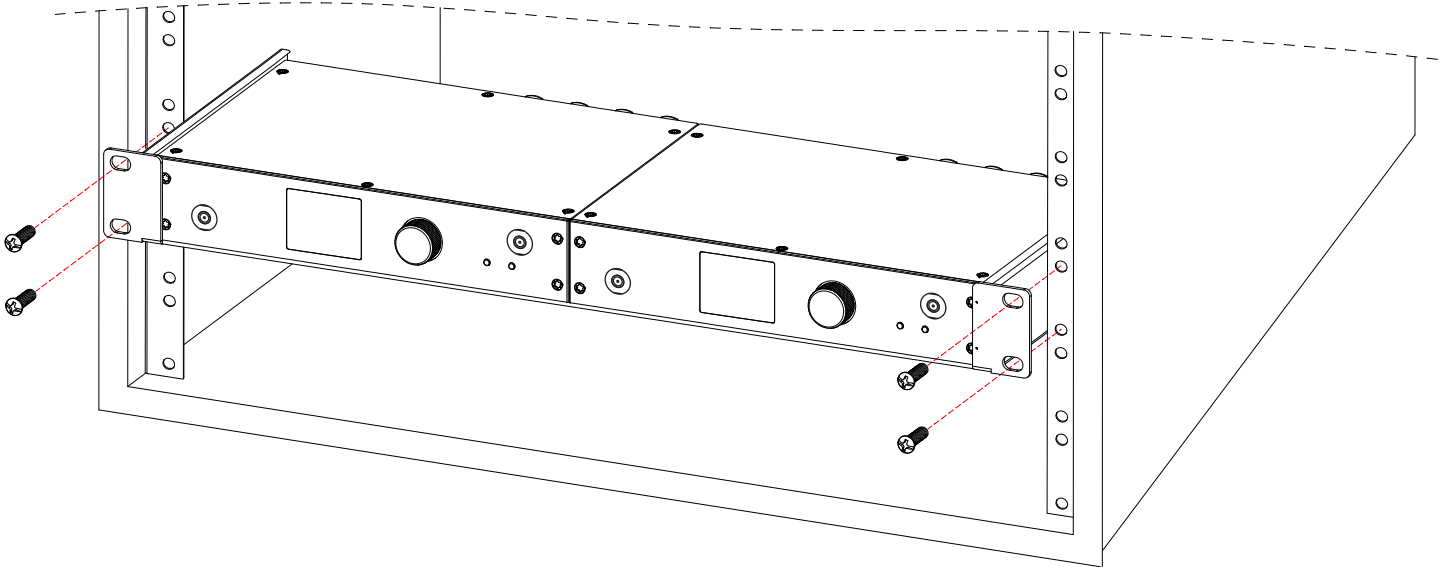
1. Slide the Aria X2 TB units into the rear of the Rack Shelf.
2. Align the mounting holes on the bottom of each Aria X2 TB with the corresponding holes on the Rack Shelf, and secure each unit to the Rack Shelf with (4x) M4x6 screws.



INSTALLATION GUIDELINES

ARIA RACK SHELF (SOLD SEPARATELY):

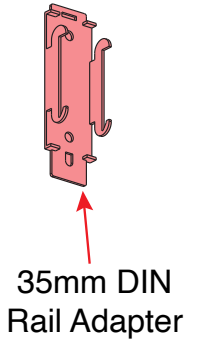
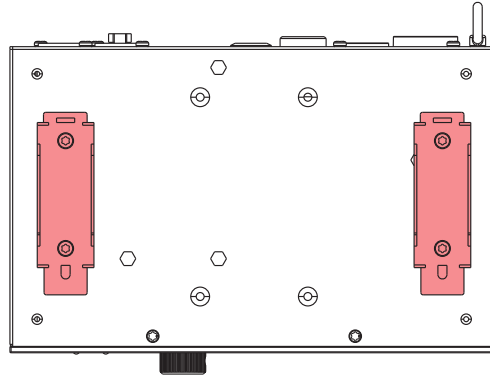
1. Align the mounting holes of the Aria Rack Shelf Ears with the corresponding vertical holes on the rack, making sure to position the device at the desired height.
2. Insert (4x) screws through the mounting holes of the 19" Rack Shelf Ears, and securely tighten them.
3. Ensure that the devices are firmly mounted to the 19" Rack Shelf, and that it is securely attached to the rack before connecting any cables.



INSTALLATION GUIDELINES

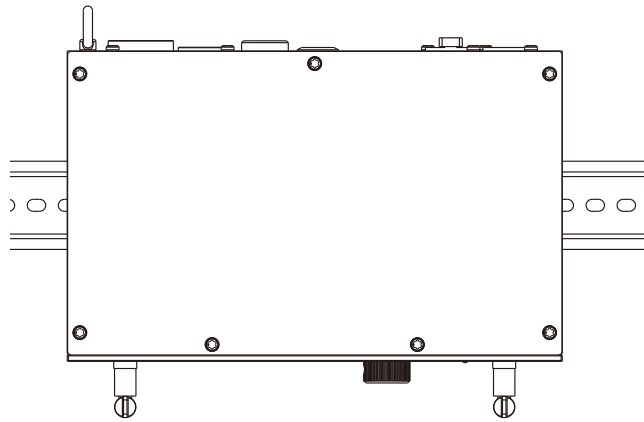
35MM DIN RAIL ADAPTERS (SOLD SEPARATELY):

1. Secure 2x 35mm DIN Rail Adapters to the bottom of the Aria X2 TB using (2x) M4x6 screws.

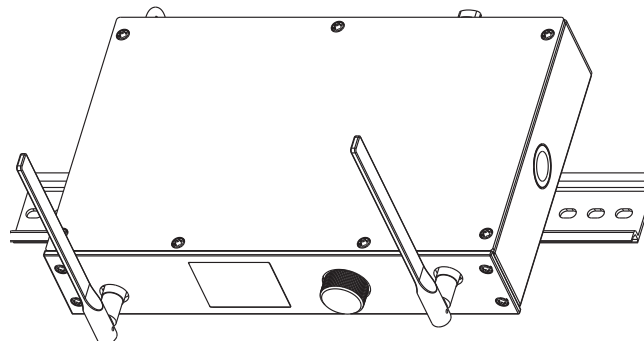
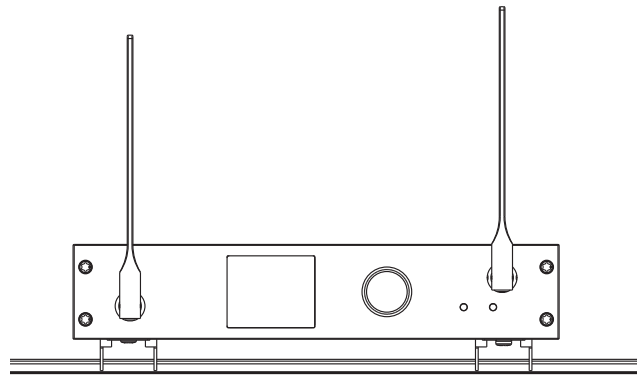


35mm DIN Rail Adapter

2. Mount the Aria X2 TB by aligning the 35mm DIN Rail Adapters with the slots on the 35mm DIN rail. Slide the Aria X2 TB onto the rail until it clicks or locks into place securely.



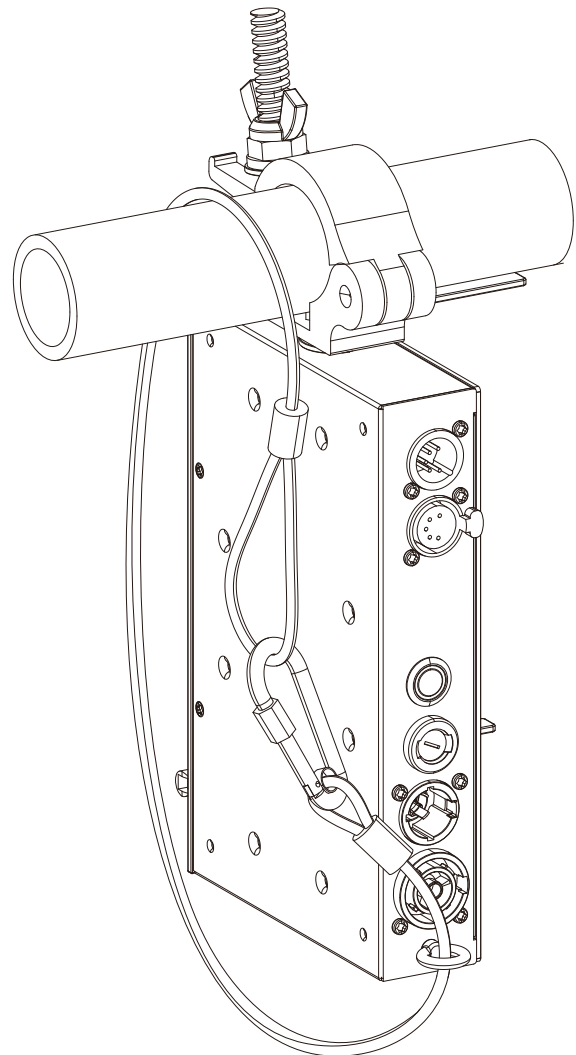
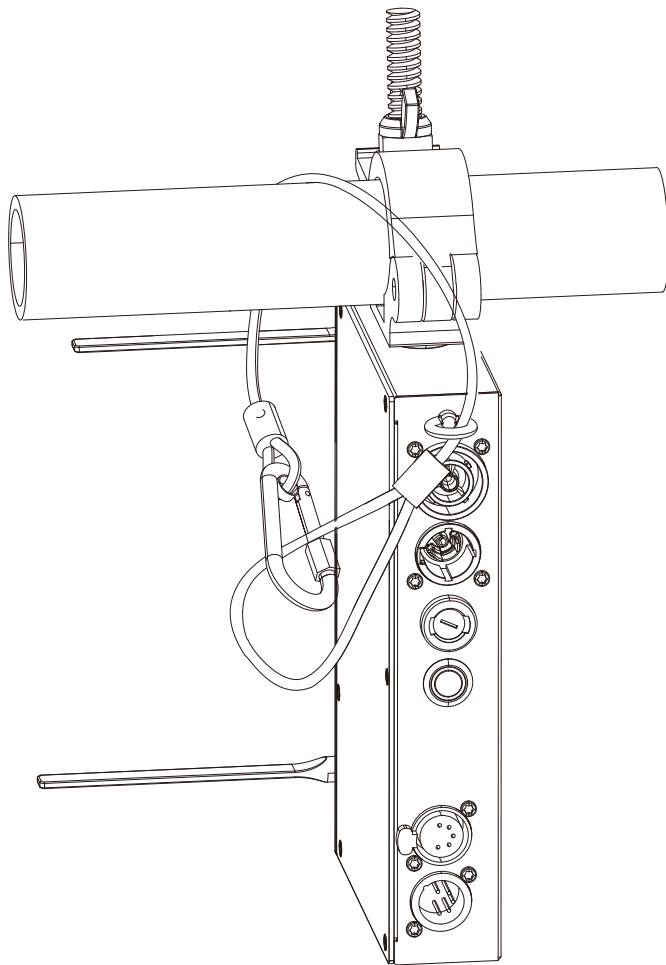
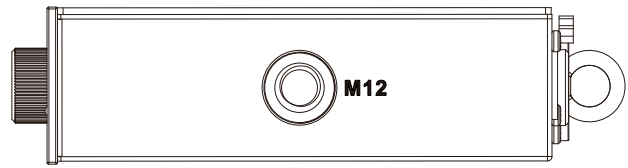
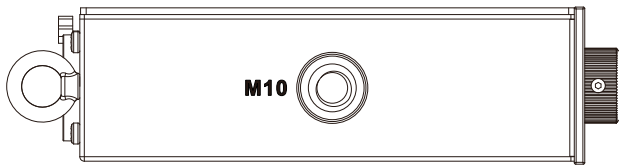
35mm DIN Rail



INSTALLATION GUIDELINES

TRUSS MOUNT INSTALLATION

Insert 18.8 steel M10x20mm or M12x25mm bolt (not included) through the respective mounting hole of the clamp (not included), and then thread it into the matching 10M hole (shown below left), or 12M hole (shown below right). The bolt must be threaded at least 18mm (0.7ins) into the fixture base.



FALLING FIXTURES CAN CAUSE SEVERE INJURY OR SERIOUS EQUIPMENT DAMAGE! FOR THIS REASON, FIXTURES SHOULD BE INSTALLED AND INSPECTED ONLY BY QUALIFIED PERSONNEL. DO NOT INSTALL THE UNIT IF YOU LACK THE QUALIFICATIONS TO DO SO, OR IF YOU HAVE DOUBTS ABOUT THE SAFETY AND SECURITY OF THE INSTALLATION SETUP OR LOCATION!



ALWAYS ATTACH A SAFETY CABLE WHENEVER INSTALLING THIS FIXTURE IN A SUSPENDED ENVIRONMENT TO ENSURE THE FIXTURE WILL NOT FALL IF THE CLAMP FAILS.

ARIA X2 BLE APP SETUP

GENERAL INFORMATION

The Aria Bluetooth app has the ability to connect wirelessly to any device that has Aria wireless DMX installed and has Bluetooth enabled.

Before installing the fixture in a remote location, double check that the fixture's main power is switched on, and that the Bluetooth function has been enabled in the fixture's system menu. Certain fixtures may have Bluetooth disabled by default. If this function is disabled, then the fixture cannot be configured remotely using the Aria app, and will have to be configured directly from the fixture's control screen.

Additionally, the user should consider setting the fixture's No DMX setting to "Hold Last". This will allow the fixture to continue running using the current settings, even if the Aria app device moves out of range, the app is closed, or the signal is otherwise interrupted, minimizing disruption in the operation of the fixtures.

LEGACY DEVICES

Please note that legacy connected devices, such as those using Wifly, E-Fly, or Magfly, are not compatible with this app. For such legacy devices, the use of a bridge is recommended, as the bridge can communicate with these devices via its SM220 protocol.

The Aria X2 BLE app is currently available from the Apple app store.

FIXTURE IDENTIFICATION

Aria compatible devices can be identified and connected via the **Fixtures** tab in the app. This tab displays a field of twenty-four buttons that can be assigned to Aria compatible devices that are within range, and the buttons will automatically be assigned to devices in the order in which they are discovered. If more than twenty-four units are within range, it may be necessary to use the filter feature to search for the desired fixture. Button location can be edited by selecting the configuration key, then the user can drag and drop the buttons to the desired location and hit save to keep changes. Once a device is known to the app, it can also be assigned to a particular button. From that point forward, the assigned device will always be assigned to that button location.

IMPORTANT NOTE: For version 0.65 or higher, a shared system password is required to connect to any device.

Unlike wireless DMX, Bluetooth is a connect first protocol. To connect to a device or fixture, tap the assigned button in the **Fixtures** tab. If the connection is successful, a green frame will appear around the button, indicating that the app was able to retrieve the current channel values from the fixture. The app must be connected to a fixture in order to use its channel controls or view and change settings. Please note that not all Aria devices have channel controls.

Additionally, each fixture can only be connected to one device with the app at any given time. Once a fixture is connected to the app installed on one device, any other devices will be blocked from connecting. As a result, when setting up a new fixture for the first time, best practice is to have only a single user with the app open within range, in order to ensure that the fixture pairs to the intended user's device.

ARIA X2 BLE APP SETUP

DETECTED DEVICES

The second table section shows all Aria devices detected in range. A checkmark indicates the device is currently assigned to a button. If more than 24 devices are within range, the user may remove or add devices to the buttons list by tapping a row to check or uncheck a device. If all buttons are full, it will be necessary to uncheck a device before adding another.

Filter: The user can filter which Aria devices get button assignments by tapping “filter” at the top of the view. A popup will appear where the user can enter text to filter devices by username, model name, or manufacturer. **Please note that these searches are case sensitive.**

Note: If a device shows an asterisk (*) it means that there is no fixture profile currently available, and therefore there will be limited support available for that device. The user will still be able to connect and adjust channels if the device supports that feature, but the user will not be able to view how many channels the device has or the channel names.

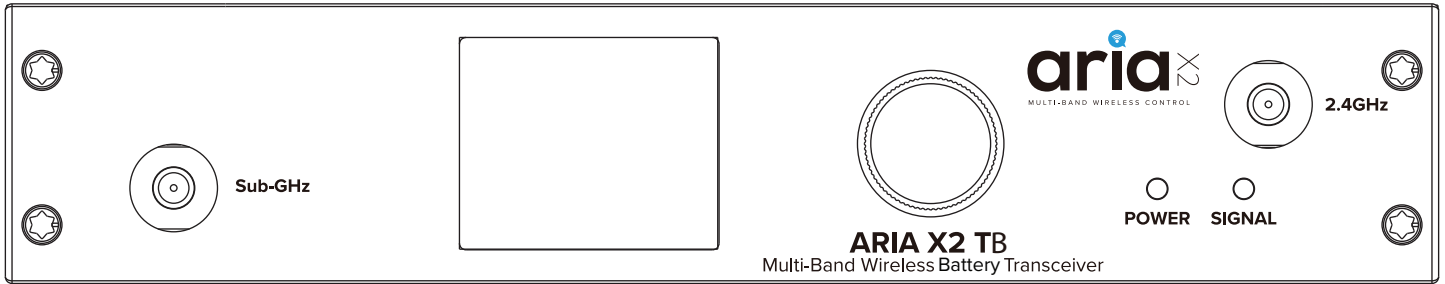
SECURITY

Each fixture must have a password saved to be secure. When a new fixture is installed for the first time, its password will automatically be set to the app’s system password on first connection. Once the password has been entered, the user will need to exit out to the main page containing the fixture buttons, then de-select and re-select the fixture to lock in the password. From that point forward only, controlling devices that use the correct password can connect to this fixture. ***This security is now required by law in most jurisdictions.***






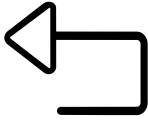
The app will detect any Aria capable fixture within range, even if the app does not have the password to that fixture and therefore cannot access that fixture. If that fixture is selected in the app, the green frame will momentarily appear around that fixture’s button, but then disappear. This indicates that the fixture is visible but inaccessible.

SYSTEM MENU

The Aria X2 TB features an LCD display screen with an Encoder Knob, which can be used to easily adjust any device settings, turn to scroll, push-to-select.



SYSTEM MENU

MAIN MENU	OPTIONS / VALUES (Default Settings in BOLD)		
Aria Settings 	Frequency	2.4GHz.	
		Sub GHz US	
		Sub GHz EU	
	2.4 GHz. CH	00~15	
	Sub GHz CH	00~09	
	Mesh	ON/OFF	
	Bluetooth	ON/OFF	
	Security (Requires Password if assigned)	Pin Enable / Disable	
Set or Edit Password			
Clear Password			
Display 	Timeout	OFF - 10 minutes	
	Screen Rotation	YES / NO / Auto	
	Passcode Lock	Enable / Disable	
	Edit Passcode	Passcode	
Label 	Rename	AaBbCcDd...()-+0123456789 Default = Aria X2 TB	
	Modify		
Service 	Passcode	Factory Restore	YES / NO
	Information 	Software Version	x.xx
RDM UID		xxxxxx	
Label		xxxxxx	
Esc 			

FREQUENCY & WIRELESS LOCATION GUIDELINES

2.4GHz Versus Sub-GHz Frequencies:

Sub-GHz frequencies provide superior reliability and range compared to higher frequencies, making them perfect for consistent communication across vast distances or in difficult conditions. Devices operating in the sub-GHz range, which refers to frequencies below 1 GHz, can transmit signals over significant distances and can penetrate physical barriers such as walls and buildings more effectively. Additionally, these frequencies experience less interference compared to those in the heavily congested 2.4-GHz band, which is commonly used by wireless devices.

In the United States, the 900 MHz band is a versatile frequency range that is utilized by various services, with the FCC overseeing its allocation and regulation.

In the European Union, the 868 MHz frequency is designated by ETSI as the Sub-GHz frequency.

In summary, if an application demands high data rates and more bandwidth in urban or densely populated areas where interference management is feasible, the 2.4 GHz frequency is a suitable choice. On the other hand, for applications requiring long-range communication and better obstacle penetration, particularly in rural or industrial settings with fewer regulatory constraints, a sub-GHz frequency (<1 GHz) is a better option.

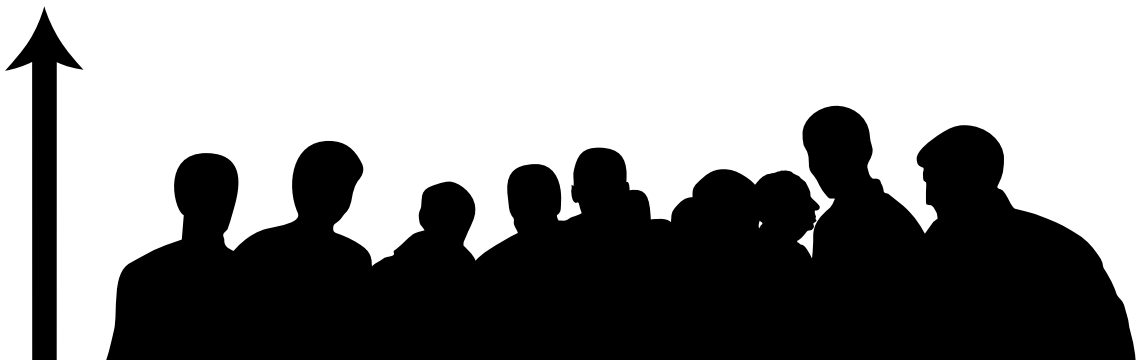
Installation Recommendations:

With the many factors that affect and/or interrupt a wireless signal such as walls, glass, metal, objects, and people, it is highly recommended to:

- Install devices a minimum of 9.8 ft. (3m) above audiences and/or ground level where practical.
- Adjust the wireless antenna in a vertical upright position
- Position devices in direct line of sight of the controlling device

Careful planning and testing of the selected installation location is critical to ensure optimum and reliable wireless operation.

**9.8 ft (3m)
Above Ground**



FIRMWARE UPDATE

To update the Aria Firmware using the Aria X2 BLE app, follow the directions below:

1. Turn on the Aria X2 TB and ensure that Bluetooth is enabled.
2. Open the Aria X2 BLE app.
3. Go to the Settings page.
4. Select “OK” on the “No Connected Devices...” pop-up message.
5. Select “Aria Firmware” at the top.
6. In this page, a list of Bluetooth detected devices will be populated. Select the device(s) that you will be updating. (Here you will be able to select devices of different models.)
7. Once your Aria X2 TB devices are selected, click on “Select File” at the top right of the page.
8. Select the Aria Firmware file that you will load to your Aria X2 TB devices.
 - Saved Files: Files saved locally on your device
 - Files Available Online: Files available from the Aria X2 Cloud server. (Latest official releases)
9. Select “Update” at the top right to begin loading the file to your Aria X2 TB devices.
10. Once the firmware is updated successfully, you can close the app.

To update the Fixture Firmware using the Aria X2 BLE app, follow the directions below:

1. First, turn on the fixture and ensure that Bluetooth is enabled.
2. Open the Aria X2 BLE app.
3. Go to the Settings page.
4. Select “OK” on the “No Connected Devices...” pop-up message.
5. Select “Fixture Firmware” at the top.
6. Select “OK” on the “Warning! Make sure Aria is up to date...” pop-up message. (This message acknowledges that you agree that your fixtures are up to date in terms of the Aria module.)
7. In this page, a list of Bluetooth detected devices will be populated. Select the fixture(s) that you will be updating. (Here you will ONLY be able to fixture(s) of the same model, otherwise, you will not be able to proceed to the next step.)
8. Once your fixture(s) are selected, click on “Select File” at the top right of the page.
9. Here you will be able to select the Fixture Firmware file that you will load to your fixture(s).
 - Saved Files: Files saved locally on your device.
 - Files Available Online: Files available from the Aria X2 Cloud server. (Latest official releases)
10. Select “Update” at the top right to begin loading the file to your fixture(s).
11. Once the firmware is updated successfully, you can close the app.

MAINTENANCE GUIDELINES

DISCONNECT POWER BEFORE PERFORMING ANY MAINTENANCE!

FUSE REPLACEMENT

Locate and remove the unit's power cord. Once the cord has been removed, locate the fuse holder next to the power socket. Insert a flat-head screw driver into the slot, and gently turn the cover of the fuse holder. Remove the bad fuse, and replace with a new one. Double check silkscreen for fuse value (T1.25A/250V).

CLEANING

Frequent cleaning is recommended to ensure proper function and an extended life. The frequency of cleaning depends on the environment in which the fixture operates: damp, smoky, or particularly dirty environments can cause greater accumulation of dirt on the device. Clean the external surface periodically with a soft cloth to avoid dirt/debris accumulation.

NEVER use alcohol, solvents, or ammonia-based cleaners.

MAINTENANCE

Regular inspections are recommended to ensure proper function and extended life. There are no user serviceable parts inside this device, please refer all other service issues to an authorized Elation service technician. Should you need any spare parts, please order genuine parts from your local Elation dealer. Please refer to the following points during routine inspections:

- A detailed electrical check by an approved electrical engineer every three months, to make sure the circuit contacts are in good condition in order to prevent overheating.
- Be sure all screws and fasteners are securely tightened at all times. Loose screws may fall out during normal operation, resulting in damage or injury as larger parts could fall.
- Check for any deformations on the housing, rigging hardware, and rigging points (ceiling, suspension, trussing).
- Electric power supply cables must not show any damage, material fatigue, or sediments.
- **NEVER** remove the ground prong from the power cable.

SPECIFICATIONS

Features:

Single DMX Universe
Sub-GHz., 2.4 GHz and Bluetooth
Configuration via Aria X2 BLE app or Front panel
AC / Battery Powered
Wireless to DMX or DMX to Wireless

Supported Protocols:

DMX
RDM (Planned for future software release)
Proprietary 802.15.4
Aria X2 Mesh Protocol (planned for future software release)
Bluetooth 4.2 (BLE)
Aria X2 Serial Protocol: This is our proprietary serial protocol for communicating with a variety of fixtures.

RF Characteristics:

Frequency range
Bluetooth: 2402-2480 MHz
Zigbee: 2405-2480 MHz (EU)
Sub-GHz: 906-924 MHz (US)
Radio module: Aria X2
Interference mitigation
CSMA
Adaptive frequency hopping (on the roadmap)
OTA updates

Standards - Health:

EN IEC 62311:2020
EN50665:2017
BS EN IEC 62311:2020
BS EN 50665:2017

Standards - Safety

EN IEC 62368-1: 2020+A11:2020
BS EN IEC 62368-1: 2020+A11:2020

Standards - EMC

ETSI EN 301 489-1 V2.2.3 (2019-11)
ETSI EN 301 489-3 V2.3.2 (2023-01)
ETSI EN 301 489-17 V3.2.4 (2020-09)
EN 55032:2015/A1:2020
EN 55035:2017/A11:2020
EN 61000-3-3:2013/A2:2021
EN IEC 61000-3-2:2019/A1:2021
BS EN 55032:2015/A1:2020
BS EN 55035:2017/A11:2020
BS EN 61000-3-3:2013/A2:2021
BS EN IEC 61000-3-2:2019/A1:2021

Standards - Radio

EN 300 220-1 V 3.1.1 (2017-02)
EN 300 220-2 V 3.2.1 (2018-06)
ETSI EN 300 328 V2.2.2 (2019-07)

Connectors:

Antenna: 5G JT SMA
DMX: 5-pin XLR Input and Output
IP65 Locking Power Input and Output

Power:

AC100-240V 50/60Hz
2x 18650 Lithium Battery Power (3.6V., 2600mAh, 9.36Wh)
Power Consumption: 2W
Power Fuse: T1.25A/250V. (5 x 20mm)

Battery:

Battery type: Lithium-ion rechargeable cell (cylindrical 18650)
Battery energy: 9.36 Wh
Battery weight: ≤48 g
Battery voltage: 3.6 V
Battery capacity: 2600 mAh
Total lithium ion cells: 2
Battery wrap material: PVC heat-shrink sleeve (pink/purple outer wrap)

Physical:

IP20 Aluminum / Metal enclosure
Front panel digital screen and rotary knob
M10 and M12 Threads
Safety Eyelet
Max ambient operating temp: 113°F (45°C)
Max operating humidity: <75%
Storage temperature: 77°F (25°C)
Rack and wall mount accessories

Dimensions and Weight:

Length: 6.1" (155mm)
Width: 8.5" (215mm)
Height: 1.7" (42mm)
2.7lbs (1.23kgs.)

Approvals / Certifications:

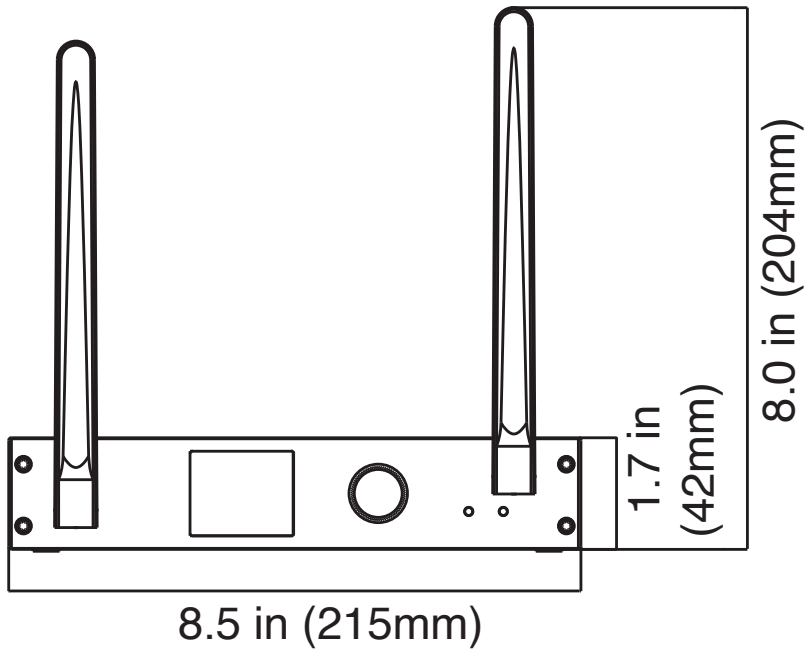
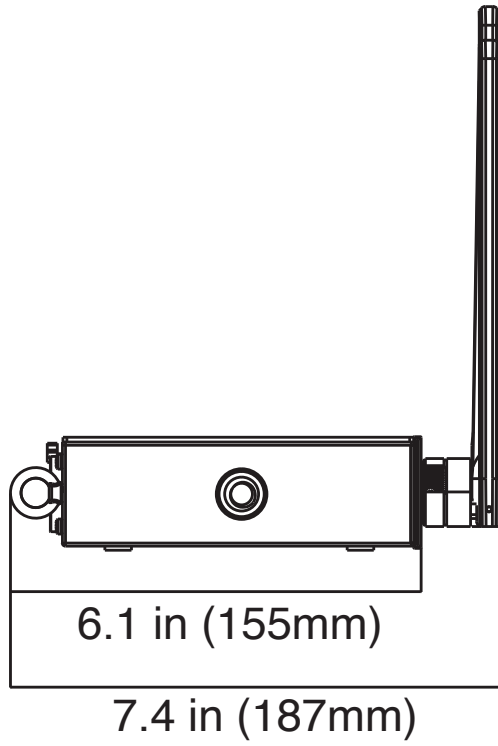
CE | cETLus | UKCA | FCC



Specifications subject to change without notice.

DIMENSION DRAWINGS

Drawings not to scale



OPTIONAL ACCESSORIES

ORDER CODE		ITEM
US	EU	
AX2191	Pending	ARIA X2 TB
AX2113	1321000090	ARIA X2 BRIDGE
TOU027	N/A	Tour Link 5P10
		Additional Cable Lengths Available

ANTENNA INFORMATION

This radio transmitter [31378-AX2100] has been approved by Innovation, Science and Economic Development Canada to operate with the antenna types listed below, with the maximum permissible gain indicated. Antenna types not included in this list that have a gain greater than the maximum gain indicated for any type listed are strictly prohibited for use with this device.

Model: 5G JT antenna

Serial Numbers: SD0174JT0005

Antenna input impedance: 50Ω

Max Gain:

- 906-924 MHz Max Gain: 2.44dBi
- 2402-2480 MHz Max Gain: -0.7dBi

Antenna type: SMA

FCC STATEMENT

This equipment complies with FCC's and IC's RF radiation exposure limits set forth for an uncontrolled environment. The antenna(s) used for this transmitter must be installed and operated in such a way as to provide a separation distance of at least 20 cm from all persons and must not be co-located or operating in conjunction with any other antenna or transmitter. Installers must ensure that this 20cm separation distance will be maintained between the device and users.

This device contains licence-exempt transmitter(s)/receiver(s) that comply with Innovation, Science and Economic Development Canada's licence-exempt RSS(s). Operation is subject to the following two conditions:

- (1) This device may not cause interference.
- (2) This device must accept any interference, including interference that may cause undesired operation of the device.

Changes or modifications to this unit that have not been expressly approved by the party responsible for compliance could void the user's authority to operate the equipment. NOTE: This equipment has been tested and found to comply with the limits for a Class B digital device, pursuant to Part 15 of the FCC Rules. These limits are designed to provide reasonable protection against harmful interference in a residential installation. This equipment generates, uses, and can radiate radio frequency energy and, if not installed and used in accordance with the instructions, may cause harmful interference to radio communications.

However, there is no guarantee that interference will not occur in a particular installation. If this equipment does cause harmful interference to radio or television reception, which can be determined by turning the equipment off and on, the user is encouraged to try to correct the interference by one or more of the following measures:

- Reorient or relocate the receiving antenna.
- Increase the separation between the equipment and receiver.
- Connect the equipment and the receiver to outlets on a different electrical circuits.
- Consult the dealer or an experienced radio/TV technician for help.

Energy Saving Matters (EuP 2009/125/EC)

Saving electric energy is a key to help protecting the environment. Please turn off all electrical products when they are not in use. To avoid power consumption in idle mode, disconnect all electrical equipment from power when not in use. Thank you!



