



FT-20S

Power Base User Manual



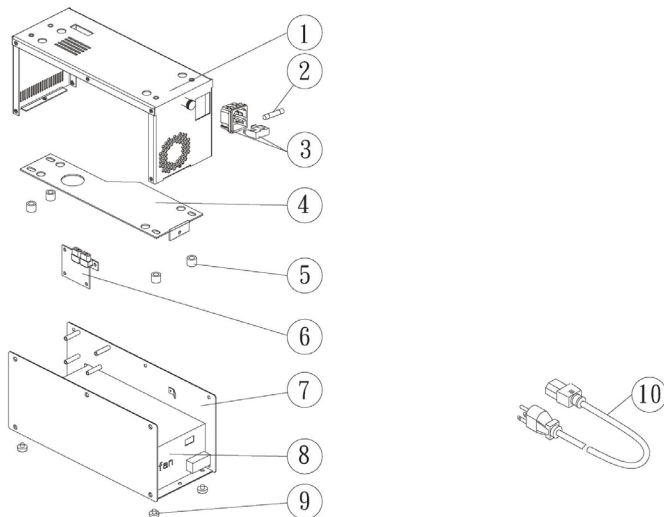
English

Product Dimensions



FT-20S

- ① Steel Case/Cover
- ② Fuse
- ③ Power socket (Inlet)
- ④ Steel Case
- ⑤ Fixture Case
- ⑥ CHARGE P.C Board
- ⑦ Steel Case
- ⑧ Power switch supplier
- ⑨ Foot
- ⑩ Power Cord & Plug



Setting Up

FT-20S is the optional “Power Converter” for FT-20 fog machine. FT-20S can convert AC 100~240V power to DC 12V power supplying FT-20 fogger.

Step 1: Place the machine on a flat surface and in a suitably large area with at least 50 cm of open space around the machine.



Always connect the machine to a protected circuit and ensure it is properly grounded to avoid risk of electrocution.

Step 2: Connect the FT-20 machine body to FT-20S Power Base



Align and insert head unit to base



Pull to release locking lever

Step 3: Plug in the dual side IEC Power Cable. Turn on the machine to start operation.





For current product information visit Antari at: www.antari.com
For information requests please contact us at: sales@antari.com



www.antari.com